

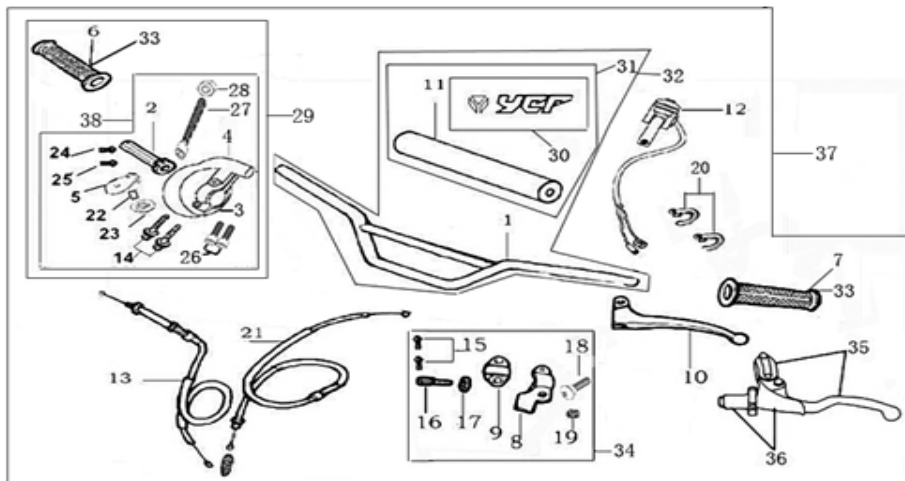


YCF-Riding.com

FACTORY SP3
DAYTONA



Handle bar assembly

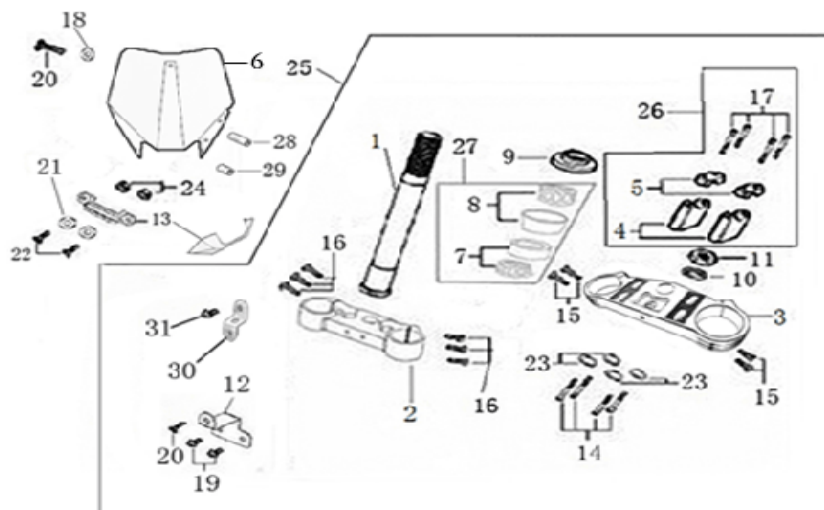


| N° | Ref. | Description | Français | Qty/ Bike | MODEL |
|----|------------------|--|--|--------------|---|
| 1 | YC110-0101-13-BK | Aluminium Handle Bar, TWIN ALL L=760mm 2016 BLACK | Guidon aluminium BAS TWIN ALL L=760mm 2016 NOIR | 1 | SP316 |
| 2 | YC110-01021-01 | YCF Throttle Body 2012 BLACK | plastique poignée de gaz YCF 2012 NOIR | 1 | ALL BIKES 2012- 2016 |
| 3 | YC110-01021-05 | Lower Throttle Body Housing 2014 | dessous poignée gaz 2014 | 1 | P15014-16/SM15014- 16/SP114-16/SP214- 16/SP314-16 |
| 4 | YC110-01021-03 | Upper Throttle Body Housing YCF 2012 | dessus poignée gaz YCF 2012 | 1 | ALL BIKES 2012-2016 |
| 5 | YC110-01021-02 | Upper Throttle Body Housing Cover YCF 2012 | plastique du dessus poignée gaz YCF 2012 | 1 | ALL BIKES 2012-2016 |
| 6 | YC110-01-01-GY | YCF Right Grip GREY | poignée caoutchouc droite YCF GRISE | 1 | ALL BIKES 2012-2016 |
| 7 | YC110-01-02-GY | YCF Left Grip GREY | poignée caoutchouc gauche YCF GRISE | 1 | ALL BIKES 2012-2016 |
| 8 | YC110-0108-05 | Clutch upper bracket 2014 SILVER | cocotte basse embrayage 2014 SILVER | 1 | F12514-16/P12514- 16/P15014-16/SM15014- 16/SP114-16/SP214- 16/SP314-16 |
| 9 | YC110-0109-05 | Clutch lower bracket 2014 SILVER | demi cocotte embrayage 2014 SILVER | 1 | F12514-16/P12514- 16/P15014-16/SM15014- 16/SP114-16/SP214- 16/SP314-16 |

| | | | | | |
|----|----------------|--|--|---|---|
| | FB13-8×10×8-Cu | Clutch lever bushing $\Phi 8 \times \Phi 10 \times 8.1$ mm copper | entretoise levier embrayage $\Phi 8 \times \Phi 10 \times 8.1$ mm | 1 | F12514-16/P12514-16/P15014-16/SM15014-16/SP114-16/SP214-16/SP314-16 |
| 10 | YC110-0103-03 | Clutch lever 2014 (with FB13- $\Phi 8 \times \Phi 10 \times 6$ -Cu 1EA+FB13- $\Phi 8 \times \Phi 10 \times 8$ -Cu 1EA) | levier embrayage 2014 | 1 | RS12/RSP12/SM15012/C12/CP12/F12513-16/P12513-16/P15013-16/SM15013-16/SP113-16/SP213-16/SP314-16 |
| 11 | YC110-0116 | Bar pad for Aluminium Handlebar with Bar L=195mm | Mousse guidon pour guidon alu avec barre L=195mm | 1 | SM15013-16/SP113-16/SP213-16/SP313-16 |
| 12 | YC110-0105-04 | Kill Switch ON/OFF daytona ANIMA engine L=580MM | Coupe circuit on off pour daytona ANIMA L=580MM | 1 | FP12/SP313-16 |
| 13 | YC110-0106 | Throttle Cable L=840mm A+B=125 | Cable gaz L=840mm A+B=125 | 1 | ALL BIKES2012-2016(BUT50/F88s/F88se) |
| 14 | GB5787-M6×22-G | Hex. Bolt with Flanged Face M6X22 | vis M6X22 | 2 | ALL BIKES2012-16(BUT50A) |
| 15 | GB5787-M6×20-G | Hex. Bolt with Flanged Face M6X20 | vis M6X20 | 2 | F12512-16/P12514-16/P15014-16/SM15012-16/SP112-16/SP212-16/SP312-16 |
| 16 | YC110-0103-04 | Clutch Adjust bolt M7×18mm | Tendeur cocotte embrayage M7×18mm | 1 | F12512-16/P12513-16/P15013-16/SM15013-16/SP113-16/SP213-16/SP313-16 |
| 17 | YC110-0117 | Clutch Tight Nut M7 | ecrou cocotte embrayage M7 | 1 | F12512-16/P12513-16/P15013-16/SM15013-16/SP113-16/SP213-16/SP313-16 |
| 18 | 27-06022B | Clutch Stepped bolt M6X22 | vis cloche embrayage M6X22 | 1 | F12512-16/P12513-16/P15013-16/SM15013-16/SP113-16/SP213-16/SP313-16 |
| 19 | 6183-06000B | Clutch Self-lock Nut M6 | ecrou cloche embrayage M6 | 1 | F12512-16/P12513-16/P15013-16/SM15013-16/SP113-16/SP213-16/SP313-16 |
| 20 | YC110-01-03-BK | Tape 150mm BLACK | colier maintien cable 150mm NOIR | 2 | ALL BIKES |
| 20 | YC110-01-03-WH | Tape 150mm WHITE | colier maintien cable 150mm BLANC | 2 | ALL BIKES |
| 20 | YC110-01-05-BK | Tape 350mm BLACK | colier maintien cable 350mm NOIR | 5 | ALL BIKES |
| 20 | YC110-01-05-WH | Tape 350mm WHITE | colier maintien cable 350mm BLANC | 1 | AFTER MARKET |
| 21 | YC110-0107-09 | Clutch Cable Assy. L=900mm A+B=83mm | cable embrayage L=900mm A+B=83mm | 1 | SP314-16 |
| 22 | YC110-0102-08 | YCF Throttle cable Bearing $\Phi 8 \times \Phi 16 \times 5$ mm | Roulement poignee gas YCF $\Phi 8 \times \Phi 16 \times 5$ mm | 1 | ALL BIKES2012-2016 |
| 23 | YC110-0102-07 | YCF Throttle cable guide pulley plastic $\Phi 12 \times \Phi 16 \times \Phi 28 \times 8$ mm | Roulette plastique Poignee Gas YCF $\Phi 12 \times \Phi 16 \times \Phi 28 \times 8$ mm | 1 | ALL BIKES2012-2016 |
| 24 | GB819-M4×12 | Plus screw M4×12 | vis M4×12 | 1 | ALL BIKES2012-2016 |
| 25 | GB819-M4×20 | Plus screw M4×20 | vis M4×20 | 1 | ALL BIKES2012-2016 |

| | | | | | |
|----|-----------------|---|---|---|---|
| 26 | GB70-M6x20-B | Hex. Bolt M6x20 BLACK | vis M6x20 NOIR | 2 | ALL BIKES2012-2016 |
| 27 | GB70-M5x12 | Hex. Bolt M5x12 | vis M5x12 | 1 | ALL BIKES2012-2016(BUT50A) |
| 30 | YC110-012027-BK | RUBBER for Bar Pad suitable Aluminium Handlebar with Bar 185mmx178mm 2016 BLACK | CAOUTCHOUC mousse guidon Aluminium avec Barre 185mmx178mm 2016 NOIR | 1 | SP316 |
| 31 | YC110-0133-01BK | Complete Bar Pad for Aluminium Handlebar with Bar L=195mm 2016 BLACK | Mousse guidon complete pour guidon Aluminium avec Barre L=195mm 2016 NOIR | 1 | SP316 |
| 32 | GASB-02BK | Aluminium handle bar (with black pad and pvc) TWIN ALL BLACK 2016 | Guidon aluminium BAS TWIN ALL L=740mm 2016 NOIR | 1 | SP316 |
| 33 | PPC010-GY | YCF set of grip GREY | Paire de poignée caoutchouc YCF GRISE | 1 | ALL BIKES2012-2016 |
| 34 | YC110-0126-01 | Clutch bracket Assy. 2014 SILVER | Cocotte embrayage complete 2014 SILVER | 1 | F12514-16/P12514-16/P15014-16/SM15014-16/SP114-16/SP214-16/SP314-16 |
| 35 | YC110-0134-02 | Cnc adjustable bracket with lever 2014 SILVER | Cocotte CNC réglage rapide avec levier embrayage 2014 SILVER | 1 | F12514-16/P12514-16/P15014-16/SM15014-16/SP114-16/SP214-16/SP314-16 |
| 36 | YC110-0103-10 | rubber on clutch lever | caoutchouc levier embrayage | 1 | F12514-16/P12514-16/P15014-16/SM15014-16/SP114-16/SP214-16/SP314-16 |
| 38 | YC110-01022-N | YCF Throttle Assy. 2014 without grip (with YC110-0102-08 1EA) | Poignée gaz réglable YCF 2014 nue | 1 | P15014-16/SM15014-16/SP114-16/SP214-16/SP314-16 |

Steering stem assembly

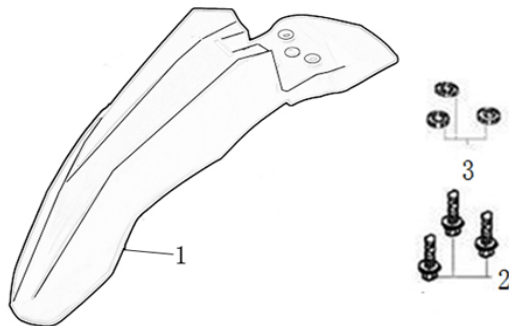


| N | Ref. | Description | Français | Qty/ Bike | MODEL |
|---|---------------|----------------------|-------------------------------|--------------|-------------------------------------|
| 1 | YC110-0201-03 | Steering stem 233 mm | tige colonne direction 233 mm | 1 | ALL BIKES2012-16(BUT50A/F88s/F88se) |

| | | | | | |
|----|---------------------------|---|--|---|---|
| 2 | YC110-0202-41-BK | Lower triple clamp 160 mm ϕ 48mm 2014 BLACK | té fourche inférieur 160 mm ϕ 48mm NOIR | 1 | SP31516 |
| 3 | YC110-0201-42-BK | Top Triple Clamp 160 mm ϕ 48 mm (for Engi fork) 2014 BLACK | té fourche supérieur 160mm ϕ 48mm (pour fourche Engi) NOIR | 1 | SP31516 |
| 5 | YC110-0202-03 | Top bar mount CNC Φ 28.6mm/height 18mm BLACK | Pontet guidon supérieur Φ 28.6mm NOIR | 2 | FP09/SP316 |
| 4 | YC110-0203-29 | Lower Bar Mount CNC START type, not adjustable ϕ 28.6 / height 55 mm BLACK | Pontet guidon inférieur non ajustable type START ϕ 28.6 / hauteur 55mm NOIR | 2 | SP316 |
| | YC110-0222-02 | Lower Bar Mount Heightening block CNC 20mm adjustable | Cale 20 mm | 2 | SP316 |
| 6 | YC110-0212-07OR | Front Number Plate 2014 ORANGE | PLAQUE AVANT 2014 ORANGE | 1 | SP115/P12516/SP315 016 |
| 7 | 297-46/23.5 | Lower Taper roller bearing 46/23.5 | roulement inférieur 46/23.5 | 1 | ALL BIKES2012-16(BUT50A/F88s/F88se) |
| 8 | 297-46/22 | Top Taper roller bearing 46/22 | roulement supérieur 46/22 | 1 | ALL BIKES2012-16(BUT50A/F88s/F88se) |
| 9 | YC110-02-09 | Top nut for steering ϕ 52 | écrou crantellé colonne direction ϕ 52 | 1 | ALL BIKES2012-2016 |
| 10 | YC110-02-10 | Washer for steering stem nut Φ 22.5 \times Φ 36 \times 0.7 | joint colonne direction Φ 22.5 \times Φ 36 \times 0.7 | 3 | ALL BIKES2012-2016 |
| 11 | YC110-02-11 | Nut for steering stem M22 | écrou supérieur colnne direction M22 | 1 | ALL BIKES2012-2016 |
| 13 | YC110-0214-01-WH | Break Line Retainer 2014 White (with GB9074.5-M4 \times 10-W 1EA) | guide durite sur plaque avant 2014 Blanc | 1 | ALL BIKES2014-2016(BUT50A/F88s/F88se /F88s) |
| 14 | GB70-M8 \times 30 | Stud screw M8X30 | vis M8X30 | 4 | ALL BIKES2012-16 (BUT50A) |
| 15 | GB70-M6 \times 25 | Stud screw M6X25 | vis M6X25 | 4 | ALL BIKES2012-16 (BUT50A) |
| 16 | GB70-M6 \times 20 | Stud screw M6X20 | vis M6X20 | 6 | ALL BIKES2013-16(BUT50A) |
| 17 | GB70-M8 \times 25 | Stud screw M8X25 | vis M8X25 | 4 | ALL BIKES2012-16 (BUT50A) |
| 18 | GB97- Φ 6-W | flat washer ϕ 6 | rondelle ϕ 6 | 1 | ALL BIKES2012-16 |
| 19 | GB5787-M6 \times 16-W | Hex. Bolt with Flanged Face M6X16 | vis M6X16 | 2 | ALL BIKES2012-2016 |
| 20 | GB9074.5-M6 \times 12-W | Plus screw M6X12 (for bottom front No plate) | vis m6x12 bas plaque No avant | 1 | ALL BIKES2014-2016(BUT50A/F88s/F88se /F88s) |

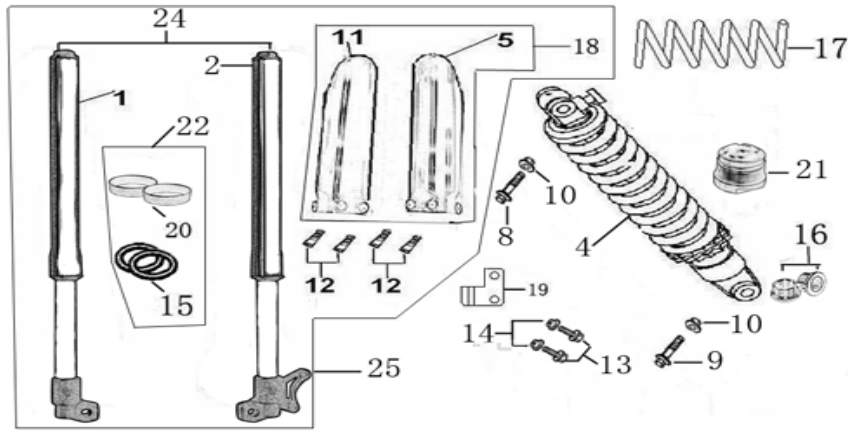
| | | | | | |
|----|-----------------|---|---|---|---|
| 21 | GB97-Φ4-W | flat washer φ4 | rondelle φ4 | 1 | ALL BIKES2012-16 |
| 22 | GB818-M4×10-W | Plus screw M4×10 | vis M4×10 | 1 | ALL BIKES2012-16 |
| 23 | GB93-Φ8-W | Spring washer Φ8mm | rondelle Φ8mm | 4 | ALL BIKES2012-2016 |
| 25 | YC110-02-044-BK | Complete Triple Clamp (TOP48 / BOTTOM 48) adjustable bar mount SPIII150 2014 BLACK | Te Fourche Complet (TE SUP. 48 / TE INF.48) pontet ajustable SPIII150 2014 NOIR | 1 | SP31516 |
| 26 | YC110-0203-08 | Set of Bar mount φ28.5mm / height 75mm (with GB70-M8×25 4EA+GB70-M8×50 4EA+GB93-Φ8-W 4EA) | jeu pontet guidon φ28.5mm / hauteur 75 mm | 1 | SP316 |
| 27 | KRDIRECTION46 | set of bearing for steering 46/23.5、46/22 | kit rlt colonne direction 46/23.5、46/22 | 1 | ALL BIKES2012-16(BUT50CC/F88s/F88se) |
| 30 | YC110-0213-08 | Number plate bracket 2014 | support plaque avant 2014 | 1 | ALL BIKES2014-2016(BUT50A/F88s/F88se /F88s) |
| 31 | GB5787-M6×16-W | Hex. Bolt M6X16 | vis M6×16 | 1 | ALL BIKES2014-2016(BUT50A/F88s/F88se /F88s) |
| 32 | YC110-02-20 | Washer for steering stem nut | joint colonne direction | 1 | ALL BIKES2015-2016 (But50A/F88s/F88se) |

Front Fender



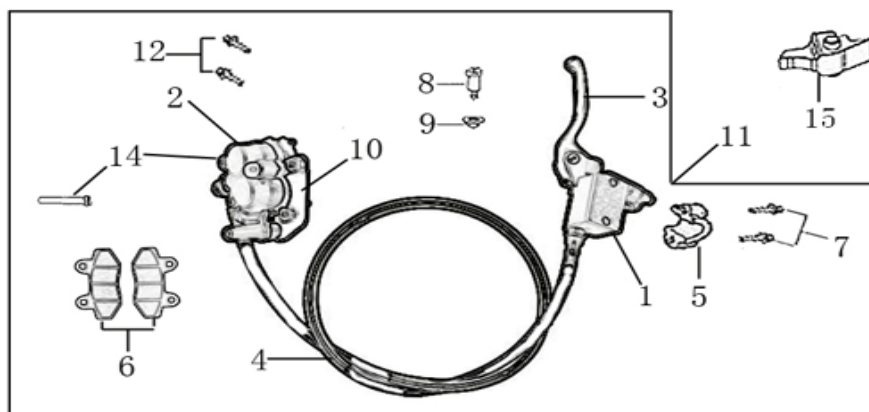
| N | Ref. | Description | Français | Qty / Bike | MODEL |
|---|----------------|------------------------------|------------------------------|------------|------------------------|
| 1 | YC110-032-01OR | YCF Front Fender 2014 ORANGE | GARDE BOUE AVANT 2014 ORANGE | 1 | SP115/P12516/SP315 016 |
| 2 | GB5787-M6×20-W | Hex. Bolt with flanged M6X20 | vis M6X20 | 3 | ALL BIKES |
| | GB96-Φ6-W | Washer φ6×φ18mm | Rondelle φ6×φ18mm | 3 | ALL BIKES |
| 3 | YC110-03-01 | Rubber washer Φ6×Φ18×4mm | caoutchouc Φ6×Φ18×4mm | 3 | ALL BIKES |

Front & Rear absorber



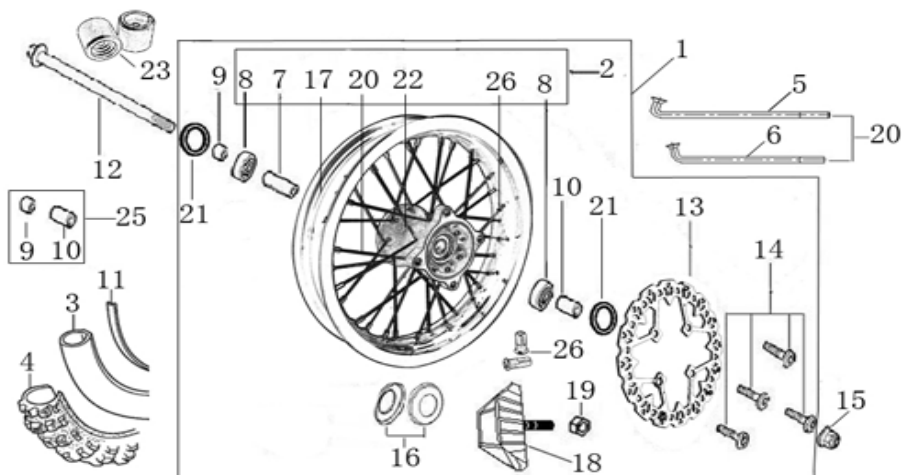
| N | Ref. | Description | Français | Qty/ Bike | MODEL |
|----|-----------------|---|--|--------------|---|
| 1 | YC110-0401-21 | Front right fork ENGI 800mm (adjustable) TITAN | tube fourche droit 800mm TITANE | 1 | SP316 |
| 2 | YC110-0402-21 | Front left fork ENGI 800mm (adjustable) TITAN | Tube fourche gauche 800mm TITANE | 1 | SPIII16 |
| 4 | YC110-0404-63 | Shock absorber ENGI L=335mm 2016 | Amortisseur ENGI L=335mm 2016 | 1 | SP316 |
| 5 | YC110-04-015-BK | YCF Left front fork protection 735mm BLACK | Protection fourche YCF gauche 735 mm NOIR | 1 | P12516/P15016/SM15016/SP116/SP216/SP316 |
| 8 | GB5787-M12×45-W | Hex. Bolt with flanged M12X45 | vis M12X45 | 1 | P88s13-16/P12513-16/P15013-16/SM15013-16/SP113-16/SP213-16/SP313-16 |
| 9 | GB5787-M12×60-W | Hex. Bolt with flanged M12×60 | vis M12×60 | 1 | SP113-16/SP213-16/SP313-16 |
| 10 | GB6187-M12-W | Self-locking Nut M12 | écrou M12 | 2 | ALL BIKES2012-2016(BUT50A) |
| 11 | YC110-04-024-BK | YCF Right front fork protection 735 mm BLACK | Protection fourche droite YCF 735 mm NOIR | 1 | P12516/P15016/SM15016/SP116/SP216/SP316 |
| 12 | GB5787-M6×12-W | Plus screw M6X12 | vis M6X12 | 4 | P88s13-15/P12513-16/P15013-16/SP113-16/SP213-16/SP313-16/SM15013-16 |
| 13 | GB5787-M6×16-W | Plus screw M6X16 | vis M6X16 | 2 | ALL BIKES2013-16(BUT50A) |
| 14 | GB6170-M6-W | Nut M6 | ecrou M6 | 2 | P12516/P15016/SP116/SP216/SP316/SM15016 |
| 16 | YC110-0419-03 | shock bottom spacer ENGI Φ12Φ14×6×11mm | entretoise amortisseur pour bras mono ENGI Φ12Φ14×6×11mm | 4 | SP316 |
| 18 | PFYCF12-BK | YCF set of fork protection 735mm 2012 black | jeu protection fourche YCF noir | 1 | P12516/P15016/SM15016/SP116/SP216/SP316 |
| 19 | YC110-0403-05 | oil steel line retainer on left front fork 2016 | passse durite sur protection fourche gauche 2016 | 1 | P12516/P15016/SP116/SP216/SP316/SM15016 |
| 24 | ENGI1-800 | Pair of fork ENGI 800mm (Adjustable) TITAN | Jeu de fourche 800mm ENGI TITANE | 1 | SP316 |

Front Brake Assy



| N | Ref. | Description | Français | Qty/ Bike | MODEL |
|----|-----------------|---|---|--------------|---|
| 1 | YC110-0501-0104 | Front Brake Reservoir for 2 pump Φ 10 2016 | maitre cylindre frein avant pour étrier 2 pistons Φ 10 2016 | 1 | P12516/P15016/SP116/SP216/SP316/SM15016 |
| 2 | YC110-0501-0207 | Front Brake caliper for 2 pump w/t abestos Φ 10 2016 | étrier frein avant double pistons sans amiante Φ 10 2016 | 1 | SP216 / SP316 |
| 3 | YC110-0501-017 | Front brake lever for 2 pump brake 2016 | levier frein pour frein double pistons 2016 | 1 | SP216 / SP316 |
| 4 | YC110-0501-0319 | Front brake steel line L=1170mm Φ 10/ Φ 10 BLACK 2016 | durite frein avant L=1170mm Φ 10/ Φ 10 NOIR 2016 | 1 | SP316 |
| 5 | YC110-0501-022 | Brake perch bracket for double pump | demi cocotte frein avant pour frein double pistons | 1 | ALL BIKES2012-16(BUT50A) |
| 6 | YC110-0501-0416 | Front Brake pads for double pump brake with copper substrate 2016 | jeu plaquette frein avant pour frein 2 pistons SANS AMIANTE 2016 | 2 | SP216/SP316 |
| 7 | GB5787-M6×22-G | Hex.bolt with flanged M6X22 | vis M6X22 | 2 | ALL BIKES2012-16(BUT50A) |
| 8 | HB06-M6×25-G | Hex.bolt with flanged M6X25 | vis M6X25 | 1 | ALL BIKES2012-16(BUT50A) |
| 9 | GB6177-M6-G | Self-locking nut M6 | écrou M6 | 1 | ALL BIKES2012-16(BUT50A) |
| 10 | YC110-0501-037 | Bracket for front brake SP2/SP3 2016 | patte frein avant etrier SP2/SP3 2016 | 1 | SP216 / SP316 |
| 11 | YC110-0501-31 | front brake assy 2 pumps L=1170mm Φ 10/10 w/t abestos 2016 | kit frein avant 2 pistons avec gaine plastic noire L=1170mm Φ 10/10 sans amiante | 1 | SP316 |
| 12 | GB70-M6×30-W | Stud screw M6X30 | vis M6X30 | 2 | ALL BIKES2012-16 (BUT50A) |
| 14 | YC110-0555-01 | caliper screw for front brake L=55mm Army green | vis plaquette frein avant L=55mm | 1 | SP216/SP316 |

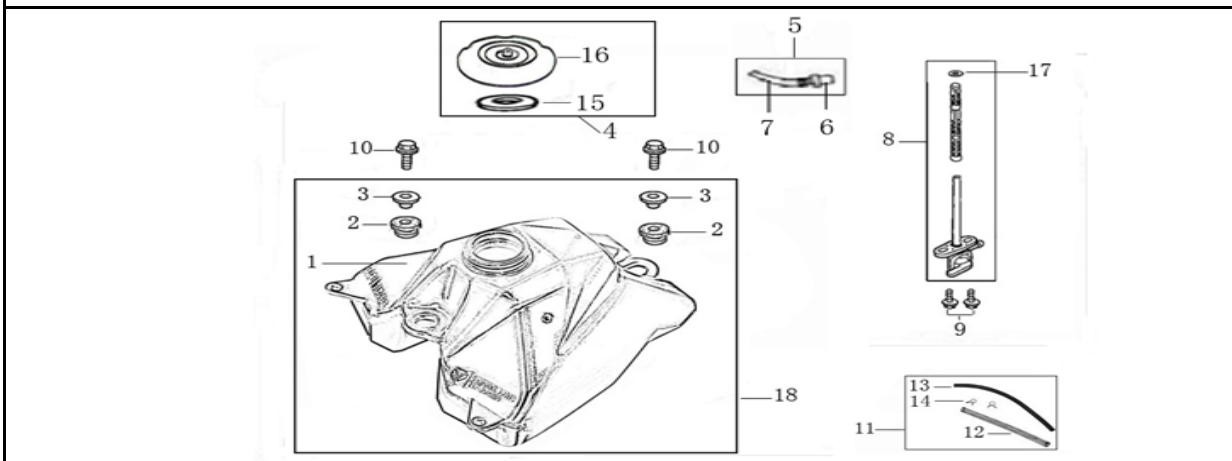
Front Wheel Assy



| N | Ref. | Description | Français | Qty/ Bike | MODEL |
|----|------------------|--|--|--------------|--|
| 1 | YC110-0601-5C-BK | Complete ALUMINIUM Front wheel 1.4x14' with disk CNC hub BLACK / BLACK Rim | Roue avant complète ALUMINIUM 1.4x14' avec disque moyeux CNC BLACK / Jante NOIRE | 1 | SP316 |
| 2 | YC110-0602-5C-BK | Complete ALUMINIUM Front wheel 1.4x14' without disk CNC hub BLACK / BLACK Rim 2016 | roue avant complète ALUMINIUM 1.4x14' sans disque moyeux CNC NOIR / Jante NOIRE 2016 | 1 | SP316 |
| 3 | CHAMBRE14 | Tube for front tire 60/100-14' GL | chambre air 14' GL | 1 | F12512-16/F125s12-16/F125se1516/P12513-16/P15013-16/SP113-16/SP213-16/SP313-16 |
| | FB6170-M8-Cr | Tire valve nut M8 | Ecrou M8 pour chambre a air | 1 | ALL BIKES |
| 4 | 60/100/14ARRO | Front tyre 60/100/14 ARRO 2015 | pneu avant 60/100/14 ARRO 2015 | 1 | SP216/SP316 |
| 7 | YC110-0607-03 | Front axle bushing $\phi 17 \times \Phi 25 \times 46$ | entretoise central roue avant $\phi 17 \times \Phi 25 \times 46$ | 1 | SP216/SP316 |
| 8 | 96140-6003-2Z | Ball bearing 6003 $\Phi 35 \Phi 17 \times 10$ | roulement roue 6003 $\Phi 35 \Phi 17 \times 10$ | 2 | SP216/SP316 |
| 9 | YC110-06-048 | Front wheel spacer right $\phi 15 \times \Phi 22 \times 37.5$ mm with STEP 2016 | entretoise roue avant droite $\phi 15 \times \Phi 22 \times 37.5$ mm | 1 | SP216/SP316 |
| 10 | YC110-06-056 | Front wheel spacer left $\phi 15 \times \Phi 22 \times 47$ mm with STEP 2016 | entretoise roue avant gauche $\phi 15 \times \Phi 22 \times 47$ mm | 1 | SP216/SP316 |
| 11 | YC110-06-01 | tire lining for 1.4x14' | fond jante av 14' | 1 | F12512-16/F125s12-16/F125se1516/P12513-16/P15013-16/SP112-16/SP212-16/SP312-16 |
| 12 | YC110-06-061 | Front Axle 215 mm with Self-locking nut M14 for Marzocchi style fork | axe de roue avant L=215 mm marzocchi avec ecrou M14 | 1 | ALLBIKES2013-16(BUT50A/SM) |

| | | | | | |
|----|-----------------------|--|--|---|--|
| 13 | YC110-0513-02 | Front disk \varnothing 220 mm 2016 | disque frein avant \varnothing 220 mm 2016 | 1 | ALL BIKES 2016(BUT50A/F88s/F88se) |
| 14 | GB70.2-M8 \times 16 | Screw for disk M8X16 | vis disque frein M8X16 | 4 | ALL BIKES2016 (BUT50A) |
| 15 | GB6187-M14-W | Self-locking nut M14 | écrou roue avant M14 | 1 | ALL BIKES2012-16(BUT50A) |
| 17 | YC110-0601-012BK | ALUMINIUM 7116 Rim for Front wheel 1.4 \times 14' 7116 Black | cerceau roue av 1,4 \times 14' ALUMINIUM 7116 Noir | 1 | SP212-16/SP312-16 |
| 18 | GRIPSTER1.40 | Gripster 1.40 | gripster 1,40 | 1 | SP112-16/SP212-16/SP312-16 |
| 19 | GB6170-M8-W | Nut M8 | ecrou M8 | 1 | SP112-16/SP212-16/SP312-16 |
| 20 | JR14-14.5 | set of front spoke 14' (147mm \times 32) | Jeu rayon avant 14' (147mm \times 32) | 1 | F12512-16/F125s12-16/F125se1516/P12512-16/P15013-16/SP112-16/SP212-16/SP312-16 |
| 21 | YC110-0611 | OIL SEAL \varnothing 22 \times 35 \times 5 | joint spy roue \varnothing 22 \times 35 \times 5 | 2 | ALL BIKES2013-16(BUT50A) |
| 22 | YC110-0622-04-BK | YCF Front hub CNC BLACK 2016 | YCF Moyeux avant CNC NOIR 2016 | 1 | SP316 |

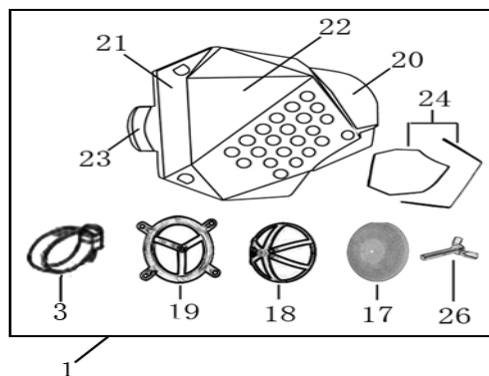
Fuel Tank



| N | Ref. | Description | Français | Qty/ Bike | MODEL |
|---|---------------|---|--|--------------|---------------------------|
| 1 | YC110-0701-01 | YCF Fuel tank with YC110-1910 1EA (suitable for pre 2013 bikes) | Reservoir YCF (Adaptable pour motos avant 2013) | 1 | ALL BIKES2013-16 (BUT50A) |
| 2 | YC110-07-01 | Cushion for fuel tank | caoutchouc pour reservoir | 2 | ALL BIKES2011-16 |
| 3 | YC110-07-02 | Washer for fuel tank Φ 12 \times Φ 30 \times 11mm | entretoise pour reservoir Φ 12 \times Φ 30 \times 11mm | 2 | ALL BIKES2011-16 |

| | | | | | |
|----|----------------|--|---|---|---|
| 4 | YC110-0702-01 | YCF Tank cap plastic 2013 | Bouchon reservoir plastique YCF 2013 | 1 | ALL BIKES2013-16 |
| 5 | YC125-0704-BK | Fuel tank valve BLACK | Valve prise air NOIR | 1 | ALL BIKES |
| 6 | YC110-0704-BK | Cap of Fuel tank valve BLACK | Capuchon Valve prise air NOIR | 1 | ALL BIKES |
| 7 | YC110-0705-BK | Fuel tank valve Hose L=40mm BLACK | Durite caoutchouc Vale prise air L=40mm NOIRE | 1 | ALL BIKES |
| 8 | YC110-0703 | Fuel cock assy. | robinet essence | 1 | ALL BIKES |
| 9 | GB5787-M6×16-W | Hex. Bolt with flanged M6X16 | vis M6X16 | 2 | ALL BIKES2012-2016 |
| 10 | GB5787-M8×30-B | screw M8X30 BLACK | vis M8x30 NOIR | 2 | P88s13-15/P12513-16/P15013-16/SM15013-16/SP113-16/SP213-16/SP313-16 |
| 11 | YC110-0706 | fuel tank rubber line + spring Φ4.5×Φ8.5×210mm | durite reservoir avec ressort Φ4.5×Φ8.5×210mm | 1 | ALL BIKES |
| 12 | YC110-07061 | fuel tank lspring L=180mm | ressort durite reservoir L=180mm | 1 | ALL BIKES |
| 13 | YC110-07062 | fuel tank rubber line Φ4.5×Φ8.5×210 | durite reservoir Φ4.5×Φ8.5×210 | 1 | ALL BIKES |
| 14 | YC110-07063 | Holding ring | collier FILTRE | 2 | ALL BIKES |
| 15 | YC110-0720-02 | Rubber mat for tank cap plastic Φ14×Φ52×2mm Oil proof | Caoutchouc bouchon reservoir YCF Φ14×Φ52×2mm | 1 | ALL BIKES2013-16 |
| 17 | YC110-0717 | O-RING,Φ11×3mm For Fuel tank | Joint Thorique Φ11×3mm pour Reservoir | 1 | ALL BIKES2013-16 (BUT50A) |
| 18 | YC110-0718 | YCF Complete fuel tank suitable for pre 2013 bikes (with YC110-07-01 2EA+YC110-07-02 2EA+YC110-1910 1EA) | Reservoir complet YCF 2013 (Adaptable pour motos avant 2013) | 1 | ALL BIKES2013-16 (BUT50A) |

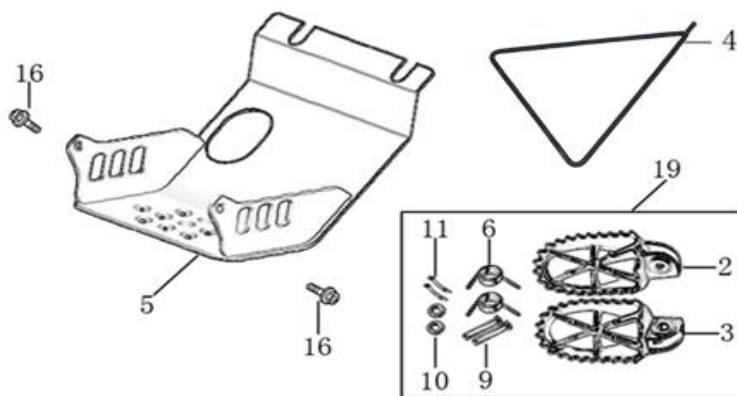
Air Filter



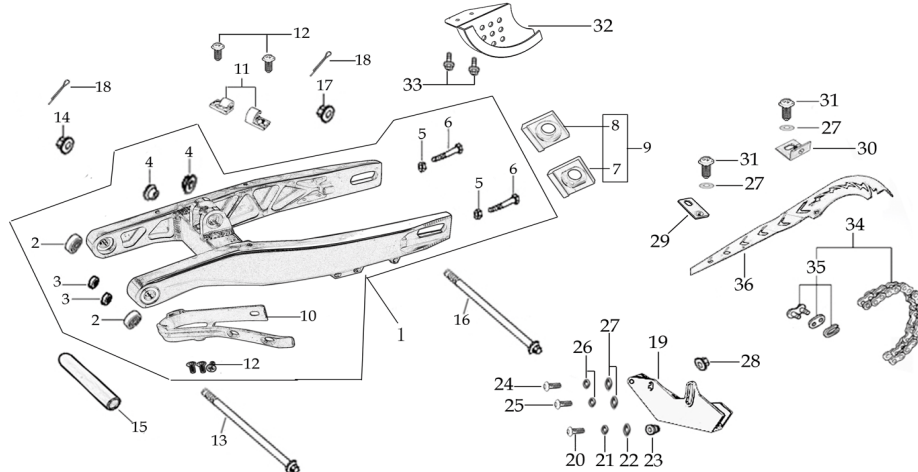
| N | Ref. | Description | Français | Qty/ Bike | MODEL |
|---|------|-------------|----------|--------------|-------|
|---|------|-------------|----------|--------------|-------|

| | | | | | |
|----|---------------|--|--|---|--|
| 1 | YC110-08-02 | Air box assy 2013 with YCF LOGO | Boite a air complete YCF 2013 | 1 | SP113-16/SP213-16/SP315013-16 |
| 3 | YC110-0805 | Holding ring $\phi 27-\phi 51\text{mm}$ | collier Filtre $\phi 27-\phi 51\text{mm}$ | 1 | ALL BIKES2012-2016 (BUT50A) |
| 17 | YC110-08-011 | YCF Air filter Foam | Mousse filtre a air YCF | 1 | P12516/P15016/SP112-16/SP212-16/SP312-16/SM15016 |
| 18 | YC110-08-012 | Top support for YCF air filter foam | support exterieur pour mousse filtre a air YCF | 1 | P1251516/P1501516/SM1501516/SP112-16/SP212-16/SP312-16 |
| 19 | YC110-08-013 | Inside support for YCF air filter foam | support interieur pour mousse filtre a air YCF | 1 | P1251516/P1501516/SM1501516/SP112-16/SP212-16/SP312-16 |
| 20 | YC110-0820-01 | Rear part of YCF air box 2015 | Boitie arriere boite a air YCF 2015 | 1 | SP11516/SP21516/SP31516 |
| 21 | YC110-08-015 | Front case of YCF air box | Boitie avant boite a air YCF | 1 | SP112-16/SP212-16/SP312-16 |
| 22 | YC110-08-026 | Cover with logo of YCF air box 2013 | Couvercle cote boite a air YCF avec logo 2013 | 1 | SP113-16/SP213-16/SP313-16 |
| 23 | YC110-08-0171 | Air box Rubber connexion $\phi 49\text{mm}$ for Kehin 28 carb(with YC110-0805 1EA) | Manchon boite a air $\phi 49\text{mm}$ pour carbu Kehin PE28 | 1 | SP316 |
| 24 | YC110-08-019 | Cover Rubber Gasket of YCF air box | Joint Caoutchouc pour couvercle cote pour boite a air YCF | 1 | SP113-16/SP213-16/SP313-16 |
| 24 | YC110-08-020 | Rubber Gasket for Rear part / front part of YCF air box | Joint Caoutchouc pour Boitie avant / Boitie arriere pour boite a air YCF | 1 | SP113-16/SP213-16/SP313-16 |
| 24 | YC110-08-021 | Kit Rubber Gasket for Rear part / front part of YCF air box | Kit Joint pour Boitie avant / Boitie arriere pour boite a air YCF | 1 | SP113-16/SP213-16/SP313-16 |
| 26 | GB62-M6x30-W | Butterfly screw M6x30 | vis M6x30 | 1 | P12516/P15016/SP113-16/SP213-16/SP313-16/SM15016 |

Foot Peg assy



| N | Ref. | Description | Français | Qty/ Bike | MODEL |
|-----------------------|----------------|--|--|--------------|----------------------------|
| 2 | YC110-0902-02 | Right foot peg Inox Large | Repose pied Inox droit Large | 1 | SP113-16/SP213-16/SP313-16 |
| 3 | YC110-0903-02 | Left foot peg Inox Large | Repose pied Inox gauche Large | 1 | SP113-16/SP213-16/SP313-16 |
| 4 | YC110-190-01 | Side stand SP 2015 | Triangle support SP 2015 | 1 | SP11516/SP21516/SP31516 |
| 5 | YC110-207-05 | YCF2014 Engine skid plate Steel SPIII | NEW SABOT ACIER FACTORY SPIII | 1 | SP314-16 |
| 6 | YC110-0906 | Spring for inox foot peg (left/right) Φ2×Φ16×35MM | ressort repose pied (droit/gauche) inox Φ2×Φ16×35MM | 2 | SP113-16/SP213-16/SP313-16 |
| 9 | 119.1-085047 | shaft pin for inox footpegs φ8×47.5 | axe repose pied inox φ8× 47.5 | 2 | SP113-16/SP213-16/SP313-16 |
| 10 | GB97-Φ8-W | flat washer φ8×16×1 | rondelle φ8×16×1 | 2 | ALL BIKES2011-16 |
| 11 | GB91-Φ2×25-W | Cotter pin 2.0×25 | goupille 2.0×25 | 2 | ALL BIKES2013-16 |
| 16 | GB5787-M6×16-W | screw M6X16 for skid plate | vis sabot M6X16 | 2 | ALL BIKES2012-2016 |
| 19 | YC110-0902/05 | Inox foot pegs set Large | Jeu repose pied inox Large | 1 | SP113-16/SP213-16/SP313-16 |
| Swing Arm assy | | | | | |

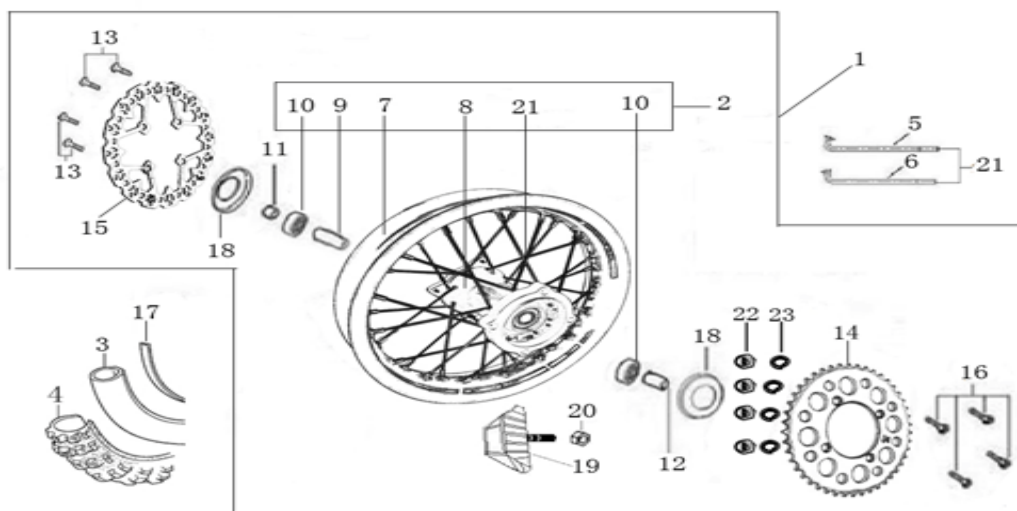


| N | Ref. | Description | Français | Qty/ Bike | MODEL |
|----|-----------------|--|--|--------------|--|
| 1 | YC110-10015 | Mono swing arm YCF Aluminium 420mm 2014 | bras oscillant mono YCF Aluminium 420mm 2014 | 1 | SP11415/SP214-16/SP314-16 |
| 2 | 6200/28-12 | Swing arm bearing $\phi 28 \times \phi 12 \times 8 \text{mm}$ | roulement bras oscillant $\phi 28 \times \phi 12 \times 8 \text{mm}$ | 2 | ALL BIKES2009-16 |
| 3 | YC110-1001-0102 | Sleeve for swing arm $\Phi 26.5 \times \Phi 12.5 \times 11 \times 9$ | entretoise bras oscillant/amorto $\Phi 26.5 \times \Phi 12.5 \times 11 \times 9$ | 2 | SP112-15/SP212-16/SP312-16 |
| 4 | YC110-1001-021 | Sleeve for swing arm $\phi 12 \times \phi 16 \times \phi 24 \times 10$ | entretoise bras oscillant/amorto $\phi 12 \times \phi 16 \times \phi 24 \times 10$ | 2 | SP112-15/SP212-16/SP312-16 |
| 5 | GB5783-M8x40-W | Exterior hex. Bolt M8X40 | vis tendeur chaine M8x40 | 2 | ALL BIKES2012-16 (BUT50A) |
| 6 | FB6170-M8-W | Hex. Nut M8 | ecrou tendeur chaine M8 | 2 | ALL BIKES2012-16(BUT50A) |
| 7 | YC110-11-094-SI | Block axle left SPI/SPII/SPIII SILVER | Tendeur chaine gauche SPI/SPII/SPIII SILVER | 1 | SP11415/SP214-16/SP314-16 |
| 8 | YC110-11-093-SI | Block axle right SPI/SPII/SPIII SILVER | Tendeur chaine droit SPI/SPII/SPIII SILVER | 1 | SP11415/SP214-16/SP314-16 |
| 9 | YC110-11-095-SI | Set of Block axle SPI/SPII/SPIII SILVER | Jeu tendeur chaine SPI/SPII/SPIII SILVER | 1 | SP114-15/SP214-16/SP314-16 |
| 10 | YC110-10-025 | Chain slider YCF Aluminium swing arm 420mm PU | patin chaine YCF long pour Bras oscillent Aluminium YCF 420mm PU | 1 | P1251516/P1501516/SP112-16/SP212-16/SP312-16/SM1501516 |
| 11 | YC110-10-014-WH | Rear brake clip for WHITE | attache durite frein arriere BLANC | 1 | SP112-15/SP212-16/SP312-16 |
| 12 | GB819-M6x12-W | Plus screw M6X12 | vis m6x12 | 5 | ALL BIKES2012-14/SP115/SP21516/S P31516 |
| 13 | YC110-10-033 | Swing arm shaft L=236mm | axe bras oscillant $\phi 3$ L=236mm | 1 | SP113-16/SP213-16/SP313-16 |

| | | | | | |
|----|----------------|---|--|---|--|
| 14 | GB6187-M12-W | Self locking nut M12 | ecrou bras oscillant M12 | 1 | ALL BIKES2012-2016(BUT50A) |
| 15 | YC110-1023 | Central spacer swing arm CP/FP 2012 Aluminium | Entretoise centrale de bras oscillent YCF CP/FP 2012 | 1 | SP112-15/SP212-16/SP312-16 |
| 16 | YC110-11-075 | Rear wheel axle L=230mm with Self locking nut M14 | axe roue arriere L=230mm avec ecrou M14 | 1 | SP112-15/SP212-16/SP312-16 |
| 17 | GB6187-M14-W | Self locking nut M14 | ecrou axe roue arriere M14 | 1 | ALL BIKES2012-16(BUT50A) |
| 18 | GB91-Φ2×35-W | Slipt Pin Φ2x35mm | goupille Φ2x35mm | 2 | SP113-16/SP213-16/SP313-16 |
| 19 | YC110-1004 | YCF chain guide assy for High class range BLACK | guide chaine YCF pour haut de gamme NOIR | 1 | P1251516/P1501516/SP112-16/SP212-16/SP312-16/SM1501516 |
| 20 | GB70.2-M5×16 | Plus screw M5X16 | vis M5X16 | 1 | P1251516/P1501516/SP112-16/SP212-16/SP312-16/SM1501516 |
| 21 | GB93-Φ5-W | Standard spring washer φ5 | rondelle φ5 | 1 | P1251516/P1501516/SP112-16/SP212-16/SP312-16/SM1501516 |
| 22 | GB97-Φ5-W | Flat washer φ5 | rondelle φ5 | 1 | P1251516/P1501516/SP112-16/SP212-16/SP312-16/SM1501516 |
| 23 | GB6100-M5-CW | Adj. nut for YCF chain guide Φ5×Φ7×Φ10×13mm | Vis réglage guide chaine YCF Φ5×Φ7×Φ10×13mm | 1 | P1251516/P1501516/SP112-16/SP212-16/SP312-16/SM1501516 |
| 24 | GB70-M6×20 | Stud screw M6X20 | vis M6X20 | 1 | P1251516/P1501516/SP112-16/SP212-16/SP312-16/SM1501516 |
| 25 | GB70-M6×25 | Stud screw M6X25 | vis M6X25 | 1 | P1251516/P1501516/SP112-16/SP212-16/SP312-16/SM1501516 |
| 26 | GB93-Φ6-W | Standard spring washer φ6 | rondelle φ6 | 2 | P1251516/P1501516/SP112-16/SP212-16/SP312-16/SM1501516 |
| 27 | GB97-Φ6-W | Flat washer φ6 | rondelle φ6 | 2 | P1251516/P1501516/SP112-16/SP212-16/SP312-16/SM1501516 |
| 28 | GB6177-M6-W | Hex. Nut M6 | ecrou tendeur chaine M6 | 1 | P1251516/P1501516/SP112-16/SP212-16/SP312-16/SM1501516 |
| 29 | YC110-0600-02 | Chain box protection support | Support Protection chaine plastique | 1 | ALL BIKES2012-2016(BUT50A) |
| 30 | YC110-0600-021 | Chain box protection support | Support Protection chaine plastique | 1 | ALL BIKES2012-2016(BUT50A) |
| 31 | GB818-M6×12-W | Plus screw M6x12 | vis M6x12 | 3 | ALL BIKES2012-16(BUT50A) |
| 27 | GB97-Φ6 | Flat washer φ6 | rondelle φ6 | 3 | ALL BIKES2012-16 |
| 32 | YC110-1010 | YCF rear disk protection BLACK | protection disk arriere YCF NOIR | 1 | SP112-16/SP212-16/SP312-16 |
| 33 | GB5787-M6×12-W | Plus screw M6X12 | vis M6X12 | 2 | SP112-16/SP212-16/SP312-16 |

| | | | | | |
|----|---------------|-------------------------------|-----------------------------------|---|---|
| 34 | 420DX-108T-X | Chain 420DX-108T extra strong | Chaîne 420 108 maillons renforcée | 1 | SP113-16/SP212-16/SP312-16 |
| 35 | AR-420 | Chain link | Attache rapide chaîne | 1 | ALL BIKES |
| 36 | YC110-0600-01 | Chain box protection | Protection chaîne plastique | 1 | ALL BIKES 2012-2015 (BUT50A) / ALL BIKES 2016 (BUT50A / F88s / F88se) |
| | | | | | |

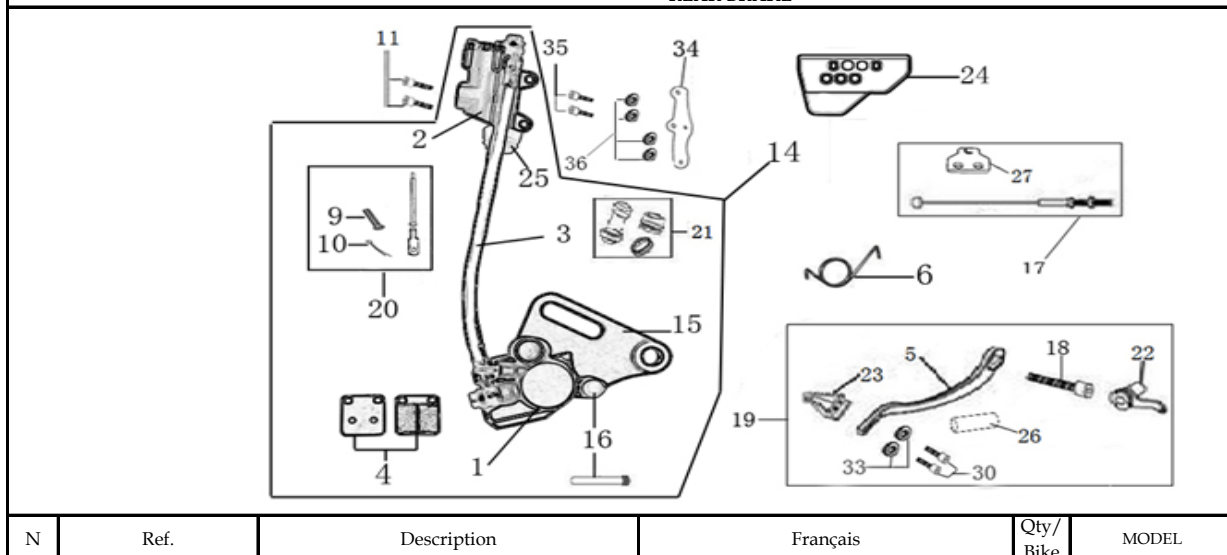
Rear Wheel Assy



| N | Ref. | Description | Français | Qty/ Bike | MODEL |
|---|------------------|--|--|--------------|--|
| 1 | YC110-1101-2E-BK | Complete ALUMINIUM Rear wheel 1.85-12' with disk CNC BLACK hub BLACK Rim | roue arriere complète ALUMINIUM 1.85-12 avec disque moyeux cnc NOIR / Jante NOIRE | 1 | SP316 |
| 2 | YC110-1102-2E-BK | Complete ALUMINIUM Rear wheel 1.85-12 without disk. CNC hub BLACK / BLACK Rim 2016 | roue arriere complète ALUMINIUM 1.85-12 sans disque moyeux CNC NOIR / Jante NOIRE 2016 | 1 | SP316 |
| 3 | CHAMBRE12 | Tube for Rear tire 3.00-12' GL | chambre air 12' standard GL | 1 | ALL BIKES 2012-2016 (BUT50A / F88s / F88se / P88s) |
| | FB6170-M8-Cr | Tire valve nut M8 | Écrou M8 pour chambre à air | 1 | ALL BIKES |
| 4 | 80/100/12ARRO | Rear tyre 80/100/12 ARRO 2015 | Pneu arriere 80/100/12 ARRO 2015 | 1 | SP216/SP316 |
| 7 | YC110-1101-01BK | ALUMINIUM 7116 Rim 1.85x12' Black | cerceau roue 1,85x12' ALUMINIUM 7116 Noir | 1 | SP212-16/SP312-16 |
| 8 | YC110-1122-05-BK | YCF Rear hub CNC BLACK 2016 | Moyeux arrière CNC 2016 NOIR | 1 | SP316 |

| | | | | | |
|----|-----------------|---|---|---|-----------------------------------|
| 9 | YC110-1109-07 | Rear hub axle bushing $\phi 17 \times \Phi 25 \times 67$ | entretoise intérieur moyeux arrière $\phi 17 \times \Phi 25 \times 67$ | 1 | SP216/SP316 |
| 10 | 96140-6003-2Z | Ball bearing 6003 $\Phi 35 \Phi 17 \times 10$ | roulement roue 6003 $\Phi 35 \Phi 17 \times 10$ | 3 | SP216/SP316 |
| 11 | YC110-11-047 | Rear wheel spacer right $\phi 15 \times \phi 22 \times 43$ with step | entretoise roue arriere droite $\phi 15 \times \phi 22 \times 43$ | 1 | SP216/SP316 |
| 12 | YC110-11-057 | Rear wheel spacer left $\phi 15 \times \phi 22 \times 63 \text{mm}$ with step | entretoise roue arriere gauche $\phi 15 \times \phi 22 \times 63 \text{mm}$ | 1 | SP216/SP316 |
| 13 | GB70.2-M8x16 | Screw for disk M8X16 | vis disque frein M8X16 | 4 | ALL BIKES2016 (BUT50A) |
| 14 | YC110-11-062/45 | YCF Driven sprocket 420-45T 5 holes 2016 | couronne acier 45T YCF 5 TROUS | 1 | SP116/SP216/SP316 |
| 15 | YC110-1115-01 | Rear Brake disc $\phi 200 \text{mm}$ 2016 | Disque frein arrière $\phi 200 \text{ mm}$ 2016 | 1 | ALL BIKES 2016(BUT50A) |
| 16 | BT08-M8x30-W | Exterior Hex.Bolt M8x30 | vis couronne M8x30 | 4 | SP116/SP216/SP316 |
| 17 | YC110-11-01 | tire lining 12" | fond jante 12' | 1 | ALL BIKES 2016(BUT50A/F88s/F88se) |
| 18 | YC110-0611 | oil seal $\Phi 22 \times \Phi 35 \times 5$ | joint spy roue $\Phi 22 \times \Phi 35 \times 5$ | 2 | ALL BIKES2013-16(BUT50A) |
| 19 | GRIPSTER1.85 | GRIPSTER 1.85 | gripster 1.85 | 1 | SP112-16/SP212-16/SP312-16 |
| 20 | GB6170-M8-W | Nut M8 | ecrou M8 | 1 | SP112-16/SP212-16/SP312-16 |
| 21 | JR12-13.5 | set of spoke 12' (125mmx32) | jeu rayon arrière 12' (125mmx32) | 1 | SP213-16/SP313-16/SM13-16 |

REAR BRAKE

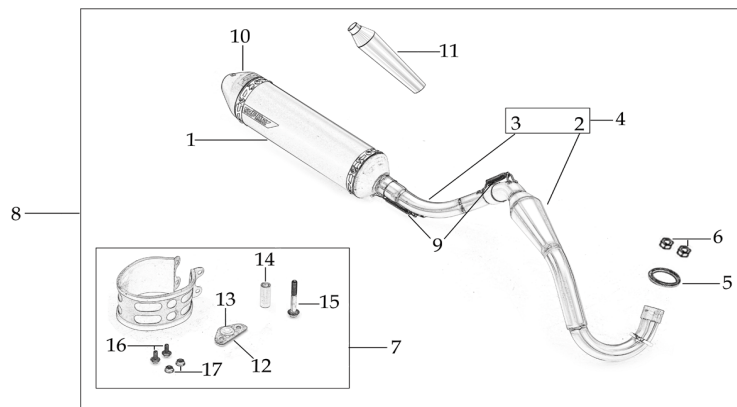


| N | Ref. | Description | Français | Qty/ Bike | MODEL |
|---|------|-------------|----------|--------------|-------|
|---|------|-------------|----------|--------------|-------|

| | | | | | |
|----|-------------------------------|--|--|---|---|
| 1 | YC110-1201-07 | Rear Caliper 1 pistons $\Phi 10$ 2016 | étrier frein arrière 1 piston $\Phi 10$ 2016 | 1 | SP216/SP316 |
| 2 | YC110-1201025 | Rear reservoir ϕ 10mm (with stick L=53mm) | maitre cylindre frein arrière avec embout durite ϕ 10mm | 1 | SP116/SP216/SP316 |
| 3 | YC110-1201050 | Oil steel tube L=465mm $\Phi 10/\Phi 10$ SP2/SP3 2016 oil connection 85° | durite frein arrière L=465mm $\Phi 10/\Phi 10$ SP2/SP3 2016 | 1 | SP216/SP316 |
| 4 | YC110-1204-02 | Friction pad for 1 piston brake w/t abestos with copper substrate 2016 | plaquette frein arrière 1 piston SANS AMIANTE 2016 | 2 | SP216/SP316 |
| 5 | YC110-1205-05 | Aluminium brake pedal + 3 cm CP/FP12 / SPI / SPII / SPIII | Pédale de frein + 3 cm Aluminium CP/FP12 / SPI / SPII / SPIII | 1 | SP113-16/SP213-16/SP313-16 |
| 6 | YC110-21-06 | Spring for Steel brake pedal' SPII/SPIII 2015 | ressort pour pédale de frein Acier SPII/SPIII 2015 | 1 | SP11516/SP21516/SP31516 |
| 7 | FB20-10x14x2-W | Flat washer $\Phi 10 \times \Phi 13.5 \times 2$ | rondelle $\Phi 10 \times \Phi 13.5 \times 2$ | 1 | SP11516/SP21516/SP31516 |
| 9 | 119.1-07016 | Pin shaft 7x16mm | axe 7x16mm | 1 | ALL BIKES2012-16 (BUT50A) |
| 10 | GB91- $\Phi 1.6 \times 16$ -W | Split pin 1.6x16mm | goupille 1.6x16mm | 1 | ALL BIKES2012-16 (BUT50A) |
| 11 | GB70-M6x20 | Hex. Bolt M6x20 | vis M6x20 | 2 | ALL BIKES2013-16(BUT50A) |
| 14 | YC110-12012-26 | Rear brake aasy 1 piston $\Phi 10/\Phi 10$ L=465mm SP2/SP3 2016 | Kit frein arriere 1 piston avec gaine plastic $\Phi 10/\Phi 10$ L=465mm SP2/SP3 2016 | 1 | SP216/SP316 |
| 15 | YC110-1201-09 | Rear brake bracket 2016 | patte fixation étrier frein arriere 2016 | 1 | SP216/SP316 |
| 16 | YC110-0555 | Rear Brake pads Screw L=50mm Army green | Vis plaquette AR L=50mm | 2 | SP216/SP316 |
| 18 | GB70.1-M10x35-W | Nut for brake pedal M10X35 | vis pour pédale frein M10X35 | 1 | P88s13-16/P12513-16/P15013-16/SM15013-16/SP113-16/SP213-16/SP313-16 |
| 19 | YC110-219-01 | complete brake pedal SP 2015 | Pedale de frein complete SP 2015 | 1 | SP11516/SP21516/SP31516 |
| 21 | YC110-120111 | rubber for rear caliper SP2/SP3 2016 | jeu de caoutgouc d'etrier frein arriere SP2/SP3 2016 | 1 | SP216/SP316 |
| 22 | YC110-1222-01 | Brake pedal fixation for Aluminium pedal SPII/SPIII 2015 BLACK | Cylindre pédale de frein Aluminium "externe" SPII/SPIII 2015 NOIR avec roulements | 1 | SP11516/SP21516/SP31516 |
| | 6900Z | Ball bearing 6900Z $\Phi 10 \times \Phi 22 \times 6$ mm | roulement Cylindre pedale 6900Z $\Phi 10 \times \Phi 22 \times 6$ mm | 2 | SP11516/SP21516/SP31516 |
| | FB13-10x14x6 | bushing 10x14x6MM | entretoise 10x14x6MM | 1 | SP11516/SP21516/SP31516 |

| | | | | | |
|----|----------------|--|--|---|---|
| 23 | YC110-21-11 | Aluminium brake pedal end cap | embout pédale de frein Aluminium | 1 | SP112-16/SP212-16/SP312-16 |
| 25 | YC110-12025-01 | Rubber for REAR RESERVOIR PUSH STICK 2016 | Caoutchouc tige maitre cylindre frein arrier 2016 | 1 | P12516/P15016/SP116/SP216/SP316/SM15016 |
| 30 | GB70-M6×25 | Hex. Bolt M6×25 | vis M6×25 | 2 | SP112-16/SP212-16/SP312-16 |
| 33 | GB93-Φ6-W | Standard spring washer φ6 | rondelle φ6 | 2 | SP112-16/SP212-16/SP312-16 |
| 34 | YC110-1215-03 | Mount for rear break reservoir "extern"PILOT/SP 2016 | fixation maitre cylindre frein arriere "externe" PILOT/SP 2016 | 1 | P12516/P15016/SM15016 /SP116/SP216/SP316 |
| 35 | GB70-M6×16 | Hex. Bolt M6x16 | vis M6x16 | 2 | P88s13-15/P12513-16/P15013-16/SM15013-16/SP113-16/SP213-16/SP313-16 |
| 36 | GB93-Φ6 | Standard spring washer φ6 | rondelle φ6 | 4 | SP113-16/SP213-16/SP313-16 |

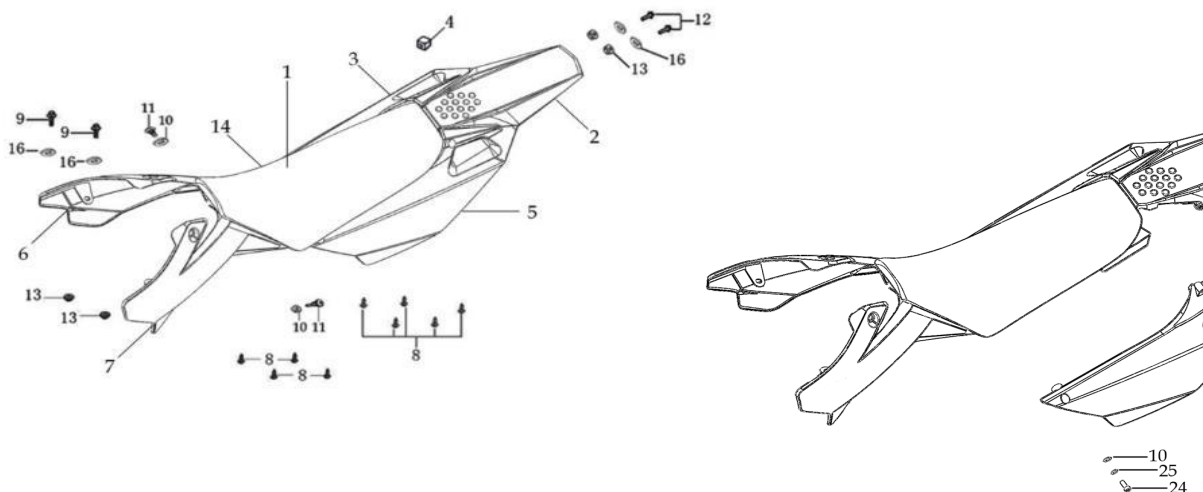
Exhaust system



| N | Ref. | Description | Français | Qty/ Bike | MODEL |
|---|-------------------|---|--------------------------------------|--------------|-----------------------------|
| 1 | YC110-13014-02 | YCF Muffler SP2/SP3 (2 springs) 2015 | silencieux YCF SP2/SP3 2015 | 1 | SP21516/SP31516 |
| 1 | YC110-13014-03-BK | Muffler RACING 2016 (2 springs) | silencieux YCF SP3 RACING 2016 | 1 | SP316 |
| 2 | YC110-1302-13 | Racing Exhaust pipe head for competition | Collecteur Racing | 1 | SP316 |
| 3 | YC110-1302-15 | Racing Exhaust pipe tail for competition (single) | Collecteur Racing Partie Silencierux | 1 | SP316 |
| 4 | YC110-13028-01 | Racing Exhaust pipe Complete | Collecteur Racing Complet | 1 | SP316 |
| 5 | 18291/152FMH | Exhaust pipe washer φ32×φ25.5×4 | joint pot φ32×φ25.5×4 | 1 | ALL BIKES2012-2016 (BUT50A) |
| 6 | GB6170-M6-W | Hex flanged self locking nut M6 | écrou M6 | 2 | ALL BIKES |

| | | | | | |
|----|----------------|---|--|---|-----------------|
| 7 | YC110-1307-03 | Hoop for muffler YCF SPII/SPIII 2015 (with FB13-8×14×35-W 1EA+GB5787-M8×60-W 1EA) | Attache silencieux YCF SPII/SPIII 2015 (DROIT) | 1 | SP216/SP316 |
| 12 | YC110-1328-02 | Support of muffler hoop 2016 | | 1 | SP216/SP316 |
| 13 | YC110-1404-01 | Rubber plug Hoop for muffler Φ8.2Φ20.2×9mm BLACK | | 1 | SP21516/SP31516 |
| 14 | FB13-8×14×35-W | Muffler Hoop spacer φ8×φ14×35mm | Entretoise attache silencieux φ8×φ14×35mm | 1 | SP216/SP316 |
| 15 | GB5787-M8×60-W | Hex. Bolt with flanged M8x60 | vis M8x60 | 1 | SP216/SP316 |
| 16 | GB5787-M6×16-W | Hex. Bolt with flanged M6x16 | vis M6x16 | 2 | SP216/SP316 |
| 17 | GB6177-M6-W | Hex. Flanged nut M6 | écrou M6 | 2 | SP216/SP316 |
| 8 | YC110-139-07 | Muffler& Exhaust pipe assy YCF SP3 2016 | Echappement complet YCF CRD 94db SP3 2016 | 1 | SP316 |
| 9 | YC110-1310-01 | muffler spring Φ2×Φ10×43mm | ressort pot Φ2×Φ10×43mm | 3 | SP316 |
| 10 | YC110-13-35 | Muffler end cap SPII 2015 | Emout silencieux SPII 2015 | 1 | SP21516/SP31516 |
| 11 | YC110-13-303 | Noise reducer SP2/SP3 2015 | Bride de pot YCF SP2/SP3 2015 | 1 | SP21516/SP31516 |
| 11 | YC110-13-304 | Noise reducer SP3 2016 | Bride de pot YCF SP3 2016 | 1 | SP316 |

Seat & Plastic kit

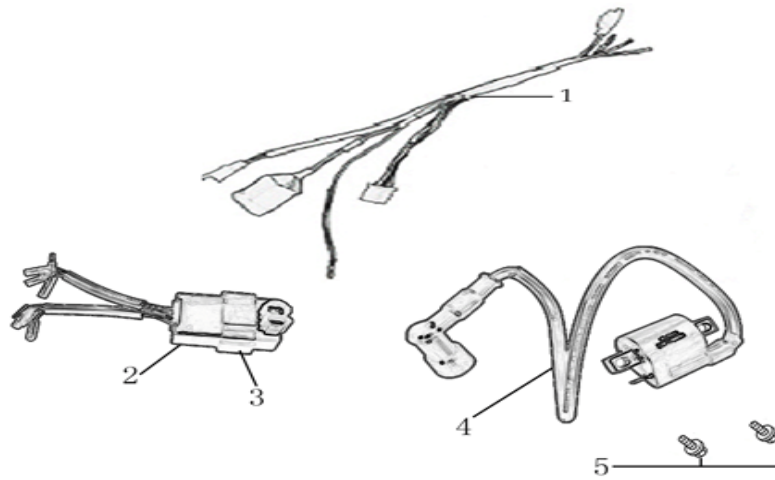


| N | Ref. | Description | Français | Qty/ Bike | MODEL |
|---|------|-------------|----------|--------------|-------|
|---|------|-------------|----------|--------------|-------|

| | | | | | |
|----|-------------------|---|---|---|---|
| 1 | YC110-1401-09 | YCF Seat assy L=510mm 2016 | Sells SP 2016 | 1 | P12516/P15016/SM15016/SP116/SP216/SP316 |
| 2 | YC110-14-018BK | YCF Rear fender 2016 BLACK | Garde boue arrière YCF 2016 avec Picots NOIR | 1 | P12516/P15016/SM15016/SP116/SP216/SP316 |
| 3 | YC110-14-028BK | YCF right side plastic assy 2016 BLACK | Plaque latérale droite YCF 2016 NOIRE | 1 | P12516/P15016/SM15016/SP116/SP216/SP316 |
| 17 | YC110-1428-01BK | YCF Handle for right side plastic 2016 BLACK | Paire de Poignees Droite pour Plaque Laterales YCF 2016 | 1 | P12516/P15016/SM15016/SP116/SP216/SP316 |
| 19 | YC110-1419-01-BK | YCF right side plastic 2016 BLACK | Plaque latérale droite YCF 2016 NOIRE | 1 | P12516/P15016/SM15016/SP116/SP216/SP316 |
| 5 | YC110-14-048BK | YCF left side plastic assy 2016 BLACK | Plaque laterale gauche YCF 2016 NOIR | 1 | P12516/P15016/SM15016/SP116/SP216/SP316 |
| 18 | YC110-1429-01BK | YCF Handle for left side plastic 2016 BLACK | Paire de Poignees Gauche pour Plaque Laterales YCF 2016 | 1 | P12516/P15016/SM15016/SP116/SP216/SP316 |
| 20 | YC110-1420-01-BK | YCF left side plastic 2016 BLACK | Plaque laterale gauche YCF 2016 NOIR | 1 | P12516/P15016/SM15016/SP116/SP216/SP316 |
| 21 | YC110-1404-01 | Cushion for side plastic $\Phi 8.2 \times \Phi 20.2 \times 9$ mm 2016 | caoutchouc plaque laterale $\Phi 8.2 \times \Phi 20.2 \times 9$ mm 2016 | 2 | P12516/P15016/SM15016/SP116/SP216/SP316 |
| 4 | YC110-14-03 | Cushion for right side plastic | caoutchouc plaque laterale droite | 1 | ALL BIKES |
| 22 | GB70.2-M5×12-Cr | Plus screw M5X12 | vis M5X12 | 2 | P12516/P15016/SM15016/SP116/SP216/SP316 |
| 23 | GB70-M6×12-Cr | Hex. Bolt M6x12 | vis M6x12 | 2 | P12516/P15016/SM15016/SP116/SP216/SP316 |
| 24 | GB70-M6×16-Cr | Hex. Bolt M6x16 | vis M6x16 | 2 | P12516/P15016/SM15016/SP116/SP216/SP316 |
| 25 | GB95- $\Phi 6$ -W | flat washer $\Phi 6.6 \times \Phi 12$ | rondelle $\Phi 6.6 \times \Phi 12$ | 4 | P12516/P15016/SM15016/SP116/SP216/SP316 |
| 10 | YC110-02-13 | Rubber washer $\Phi 6 \times \Phi 14 \times 3$ mm | joint caoutchouc $\Phi 6 \times \Phi 14 \times 3$ mm | 4 | ALL BIKES2012-16 |
| 6 | YC110-14-052BK | YCF Right shroud BLACK | Ouie radiateur droite YCF NOIRE | 1 | ALL BIKES2015-16(BUT50A/50E) |
| 7 | YC110-14-062BK | YCF Left side shroud BLACK | Ouie radiateur gauche YCF NOIRE | 1 | ALL BIKES2015-16(BUT50A/50E) |
| 8 | GB845-ST4.8×16-G | Screw for plastic kit ST4.8x16 | vis plastique ST4.8x16 | 8 | ALL BIKES2012-16 |
| 8 | GB845-ST4.8×20-G | Screw for plastic kit ST4.8x20 | vis plastique ST4.8x20 | 1 | P88s13-15/P12513-16/P15013-16/SM15013-16/SP113-16/SP213-16/SP313-16 |
| 9 | GB5787-M6×20-W | hex. Bolt with flanged M6x20 | vis M6x20 | 2 | ALL BIKES2012-16 |
| 10 | YC110-02-13 | Rubber washer $\Phi 6 \times \Phi 14 \times 3$ mm | joint caoutchouc $\Phi 6 \times \Phi 14 \times 3$ mm | 2 | ALL BIKES2012-16 |

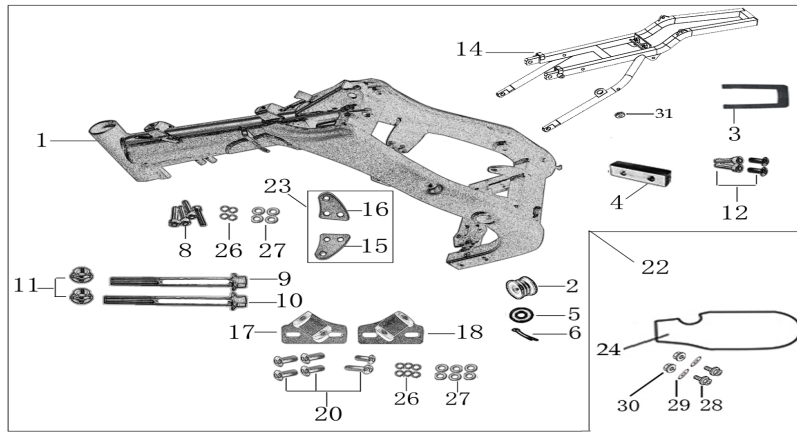
| | | | | | |
|----|----------------|------------------------------------|-----------------------------|---|---|
| 11 | FB5787-M5×12-W | hex. Bolt with flanged M5×12 | vis M5x12 | 2 | ALL BIKES2012-16 |
| 11 | GB96-Φ5-W | flat washer Φ5×Φ12 | rondelle Φ5×Φ12 | 2 | ALL BIKES2015-16 |
| 12 | GB5787-M6×20-B | hex. Bolt with flanged M6x20 BLACK | vis M6x20 NOIR | 2 | ALL BIKES2012-16 |
| 13 | GB6177-M6-W | Hex. Flanged nut M6 | écrou M6 | 2 | ALL BIKES2012-16 |
| 14 | YC110-14025 | YCF seat cover 2016 | Housse selle YCF 2016 | 1 | P12516/P15016/SM15016/SP116/SP216/SP316 |
| 16 | YC110-03-01 | Rubber washer Φ6×Φ18×4mm | joint caoutchouc Φ6×Φ18×4mm | 4 | ALL BIKES2012-16 |
| 16 | GB96-Φ6 | flat washer φ6 | rondelle φ6 | 4 | ALL BIKES2012-16 |

ELECTRIC



| N | Ref. | Description | Français | Qty/ Bike | MODEL |
|---|----------------|---------------------------|---------------------|--------------|----------|
| 1 | 86917 | WIRE HERNES for ANIMA-FDX | FAISCEAU ELECTRIQUE | 1 | SP313-16 |
| 2 | 86427 | BOX, CDI ANIMA 150 | CDI ANIMA 150 | 1 | SP313-16 |
| 4 | 86426 | COIL, IGN ITION | BOBINE D'ALLUMAGE | 1 | SP313-16 |
| 5 | GB5787-M6×16-W | Hex. Bolt M6x16 | vis m6x16 | 2 | SP313-16 |

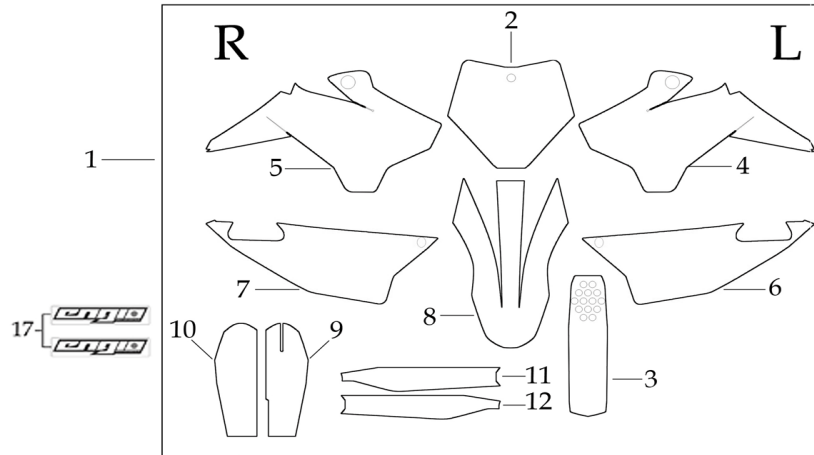
Frame



| N | Ref. | Description | Français | Qty/ Bike | MODEL |
|----|-----------------|--|--|--------------|--|
| 1 | YC110-181-05-BK | Chromely frame body SPI / SPII / SPIII 2015 BLACK | Cadre chromolly SPI / SPII / SPIII 2015 NOIR | 1 | SP11516/SP21516/SP 31516 |
| 2 | YC110-2201 | YCF Chain tensioner component | roulette chaine YCF | 1 | ALL BIKES2011- 2016 (BUT50A) |
| 3 | YC110-0700-12 | Tail cover sponge | Mousse Boucle arriere | 1 | CP12/SP312-16 |
| 5 | GB97-Φ10-W | Flat washer φ10x17x2 | rondelle φ10x17x2 | 1 | ALL BIKES2014- 16 (BUT50A) |
| 6 | GB91-Φ2x25-W | cotter pin φ2.0x25 | goupille φ2.0x25 | 1 | ALL BIKES2014- 16 (BUT50A) |
| 15 | YC110-16-033-BK | frame engine pads left SPI/SPII/SPIII BLACK | patte de cadre gauche SPI/SPII/SPIII NOIRE | 1 | SP113-16/SP212- 16/SP312-16 |
| 16 | YC110-16-043-BK | frame engine right left SPI/SPII/SPIII BLACK | patte de cadre droite SPI/SPII/SPIII NOIRE | 1 | SP113-16/SP212- 16/SP312-16 |
| 8 | GB70-M8x20 | Hex. Bolt with flanger M8x20 | vis boucle arriere M8x20 | 4 | P88s13-15/P12513- 16/P15013-16/SP113- 16/SP213-16/SP313- 16/SM15013-16 |
| 26 | GB93-Φ8-W | washer φ8 | rondelle φ8 | 4 | P88s13-15/P12513- 16/P15013-16/SP113- 16/SP213-16/SP313- 16/SM15013-16 |
| 27 | GB97-Φ8-W | Flat washer Φ8 | rondelle Φ8 | 4 | P88s13-15/P12513- 16/P15013-16/SP113- 16/SP213-16/SP313- 16/SM15013-16 |
| 9 | GB5787-M8x130-W | Hex. Bolt with flanger face M8x130 | vis M8x130 | 1 | SP113-16/SP213- 16/SP313-16 |
| 9 | GB5787-M8x105-W | Hex. Bolt with flanger M8x105 | vis M8x105 | 1 | F12513-16/F125s13- 16/F125se1516/SM125s13- 16/SP113-16/SP213- 16/SP313-16 |
| 10 | GB6187-M8-W | Self locking nut M8 | ecrou M8 | 2 | ALL BIKES |
| 14 | YC110-1614-06 | Aluminium rear frame part SP3 2016 SILVER | Boucle arriere de cadre Aluminium SP3 2016 SILVER | 1 | SP316 |

| | | | | | |
|----|-----------------|---|--|---|---|
| 31 | YC110-1404-01 | Rubber for Subframe | Caoutchouc pour Boucle Arriere | 2 | P12516/P15016/SM15016/SP116/SP216/SP316 |
| 12 | GB70-M8×20 | Hex. Bolt M8X20 | vis M8x20 | 2 | P88s13-15/P12513-16/P15013-16/SP113-16/SP213-16/SP313-16/SM15013-16 |
| 12 | GB70.2-M8×20 | screw M8x20 | vis M8x20 | 2 | SP113-16/SP213-16/SP313-16 |
| 17 | YC110-16-051-BK | foot pegs support left SPI/SPII/SPIII BLACK | support repose pied gauche SPI/SPII/SPIII NOIR | 1 | SP113-16/SP212-16/SP312-16 |
| 18 | YC110-16-055-BK | foot pegs support right SPI/SPII/SPIII BLACK | support repose pied droite SPI/SPII/SPIII NOIR | 1 | SP113-16/SP212-16/SP312-16 |
| 20 | GB70.2-M8×25 | screw M8x25 | vis M8x25 | 4 | SP114-16/SP214-16/SP314-16 |
| 20 | GB70.2-M8×50-Cr | screw M8x50 | vis M8x50 | 1 | SP113-16/SP213-16/SP313-16 |
| 20 | GB70.2-M8×25-Cr | screw M8x25 | vis M8x25 | 1 | SP113-16/SP213-16/SP313-16 |
| 26 | GB93-Φ8-W | washer φ8 | rondelle φ8 | 6 | P88s13-15/P12513-16/P15013-16/SP113-16/SP213-16/SP313-16/SM15013-16 |
| 27 | GB97-Φ8-W | Flat washer Φ8 | rondelle Φ8 | 6 | P88s13-15/P12513-16/P15013-16/SP113-16/SP213-16/SP313-16/SM15013-16 |
| 21 | YC110-170-03-BK | complète frame SP3 BLACK 2016 | cadre complet SP3 2016 NOIR | 1 | SP316 |
| 22 | YC110-16-066-BK | set of engine pads Black SPI/SPII/SPIII (with GB97-Φ8-W 4EA+GB70-M8×20 4EA+GB93-Φ8-W 4EA) | jeu de patte de cadre Noir SPI/SPII/SPIII | 1 | SP113-16/SP212-16/SP312-16 |
| 24 | YC110-0460-01 | Rear shock absorber rubber protection 2016 | Bavette caoutchouc 2016 | 1 | SP116/SP216/SP316 |
| 28 | GB5787-M6×30-W | Hex. Bolt M6×30 | vis M6×30 | 2 | SP113-16/SP213-16/SP313-16 |
| 29 | GB96-Φ6-W | Washer φ6×φ18mm | Rondelle φ6×φ18mm | 2 | SP113-16/SP213-16/SP313-16 |
| 30 | GB6187-M6-W | Self-locking Nut M6 | écrou M6 | 2 | SP113-16/SP213-16/SP313-16 |

GRAPHICS



| N | Ref. | Description | Français | Qty/ Bike | MODEL |
|----|---------------|--|--|--------------|-------------------|
| 1 | KDSP31502016 | Complete graphic kit SP3150 2016 | Kit deco complet SP3150 2016 | 1 | SP315016 |
| 2 | YC110-33-0110 | Front plate graphic SP3150 2016 | Sticker Plaque avant SP3150 2016 | 1 | SP315016 |
| 3 | YC110-33-0210 | Rear mudguard graphic SP3150 2016 | Sticker GB Arriere SP3150 2016 | 1 | SP315016 |
| 4 | YC110-33-0310 | Left shrouder graphic SP3150 2016 | Sticker Ouie gauche radiateur SP3150 2016 | 1 | SP315016 |
| 5 | YC110-33-0410 | Right shrouder graphic SP3150 2016 | Sticker Ouie droite radiateur SP3150 2016 | 1 | SP315016 |
| 6 | YC110-33-0510 | Left side plate graphic SP3150 2016 | Sticker Plaque laterales gauche SP3150 2016 | 1 | SP315016 |
| 7 | YC110-33-0610 | Right side plate graphic SP3150 2016 | Sticker Plaque laterales droite SP3150 2016 | 1 | SP315016 |
| 8 | YC110-33-078 | Front fender Front fender graphic SP 2016 | Sticker GB Avant SP 2016 | 1 | SP116/SP216/SP316 |
| 9 | YC110-33-0810 | Front left shock protection graphic SP3150 2016 | Sticker Protection gauche fourche SP3150 2016 | 1 | SP315016 |
| 10 | YC110-33-0910 | Front right shock protection graphic SP3150 2016 | Sticker Protection droit fourche SP3150 2016 | 1 | SP315016 |
| 11 | YC110-33-1010 | Left swing arm protection graphic SP3150 2016 | Sticker Protection gauche bras oscillent SP3150 2016 | 1 | SP316 |
| 12 | YC110-33-1110 | Right swing arm protection graphic SP3150 2016 | Sticker Protection droit bras oscillent SP3150 2016 | 1 | SP316 |
| 17 | KDENG-02 | ENGI Front Fork graphic 2016 | Sticker Fourche ENGI 2016 | 2 | SP316 |
| | | | | | |

| | | | | | |
|--|------------|--------------------------------|--|---|----------------------------|
| | YC110-1910 | GAS TANK STICKER | STICKER RESERVOIR | 1 | ALL BIKES2013-16(BUT50A) |
| | YC110-1911 | Motocross Rims Sticker BLUE | Sticker Jantes Motocross BLEU | 4 | SP213-16/SP313-16 |
| | YC110-1912 | YCF Air box Sticker | Sticker Boite a Air YCF | 1 | SP113-16/SP213-16/SP313-16 |
| | YC110-1901 | Sticker Chain | Autocollant Chainne | 1 | ALL BIKES2013-16 |
| | YC110-1902 | Sticker Tire | Autocollant Pression Pneu | 1 | ALL BIKES2013-16 |
| | YC110-1903 | Sticker Warning OIL Level | Autocollant Attention Niveau Huile | 1 | ALL BIKES2013-16 |
| | YC110-1904 | Sticker Rear Mudguard 70×57mm | Autocollant garde boue arriere 70×57mm | 1 | ALL BIKES2013-16 |
| | YC110-1905 | Sticker CE | Autocollant CE | 1 | ALL BIKES2013-16 |
| | YC110-1906 | Warning sticker | Sticker Attention | 1 | ALL BIKES2013-16 |
| | YC110-1907 | Warning Sticker Transport | Sticker Caisse Avertissement Transport | 1 | ALL BIKES2013-16 |
| | YC110-1908 | Warning Sticker Shosk Absorber | Sticker Avertissement Amortisseur | 1 | ALL BIKES2013-16 |

ENGINES

| | | | | | |
|--|------------|--|-------------------------------------|---|-------------|
| | 87042 | Engine Daytona 150cc 4 Valves | Moteur Daytona 150cc 4 valves ANIMA | 1 | SP315013-16 |
| | 17311-6 | INLET PIPE ,Pro ANIMA 150 for PE28 | PIPE ADMISSION PE28 | 1 | SP316 |
| | 46758 | RUBBER MANIFOLD SET (with YC50-0803 1EA+YC110-2029 1EA+GB70-M6×15-B 2EA) | Manchon pipe admission Daytona | 1 | SP316 |
| | YC110-2030 | RUBBER MANIFOLD SET PE28 | Manchon pipe admission Daytona PE28 | 1 | SP316 |
| | YC110-2029 | YCF carburettor paper gasket | joint papier carburateur | 1 | SP316 |
| | YC50-0803 | Holding ring φ21-φ44mm | collier FILTRE φ21-φ44mm | 1 | SP316 |

| | | | | | |
|--|----------------|------------------------------|--------------------------------------|---|--|
| | GB70-M6×15-B | Hex. Bolt M6x15 | vis M6x15 | 2 | SP316 |
| | 86373 | COVER, MAGNET | CARTER ALLUMAGE ANIMA 150 | 1 | SP313-16 |
| | YC140-27600-SI | STEEL KICK YCF 2015 BIG HOLE | KICK ACIER 2015 GROS DIAMETRE SILVER | 1 | P1501516/SM1501516/SP11516/SP21516/SP31516 |
| | 24700-GY | GEARSHIFT FACTORY LOGO GREY | SELECTEUR YCF GRISE | 1 | SP316 |
| | | | | | |

CARBU

| | | | | | |
|--|---------|--|--|---|-------|
| | 85707-1 | Carburetor KEIHIN PE28 with main jet 125 and slow jet 42 | Carburateur KEIHIN PE28 GICLEUR PRINCIPAL 125 / GICLEUR RALENTI 42 | 1 | SP316 |
|--|---------|--|--|---|-------|

CARTONS - CAISSES MOTOS

| | | | | | |
|--|-----------------|---|-------------------------------|---|---|
| | YC110-CARTON-CP | BIKE BOX CLASSIC 1520×380×840mm | CARTON EMBALLAGE MOTO CLASSIC | 1 | CP12/FP12/P1251516/P1501516/SM1501516/SP11316/SP213-16/SP313-16 |
| | YC110-FOAMBOX | Foam box 420×340×160mm | Cale PS | 1 | ALL BKIES2014-16 |
| | YC110-FILM | Protective film for seat 600×600×0.02mm | Protection plastique de Selle | 1 | ALL BKIES2014-16 |
| | | | | | |

CATALOGUES - FICHES MOTOS - FICHES STICKER

| | | | | | |
|--|-----------------|-------------------|-------------------------|---|------------------|
| | YC110-0700-01 | Accessory tools | Trousse a outils | 1 | ALL BIKES |
| | YC110-0700-0201 | Owner manual 2015 | Manuel Utilisation 2015 | 1 | ALL BIKES2013-16 |
| | YC110-0700-0401 | Vin Plate 2015 | Plaque Vin 2015 | 1 | ALL BIKES2013-16 |
| | YC110-0700-03 | A4 sheet assy | Fiche A4 | 1 | ALL BIKES |

2016

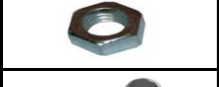






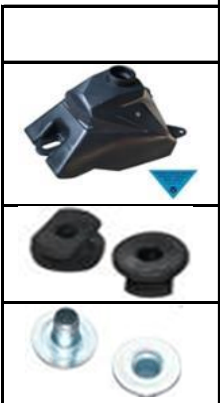


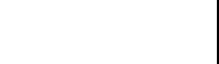
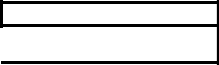
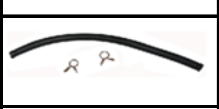
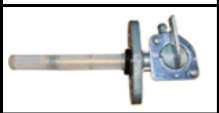


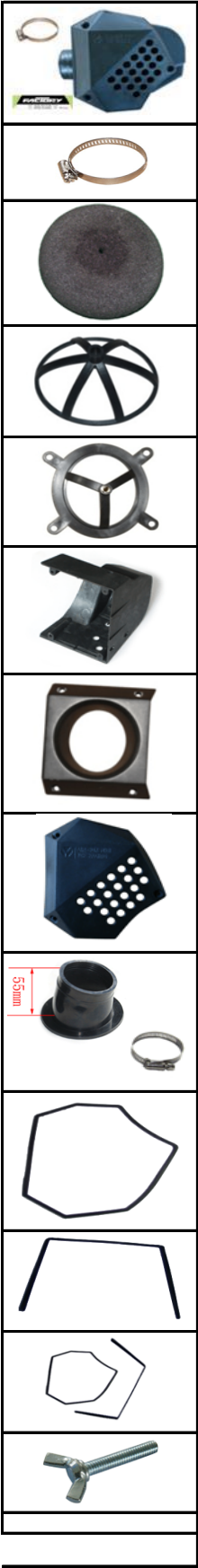
















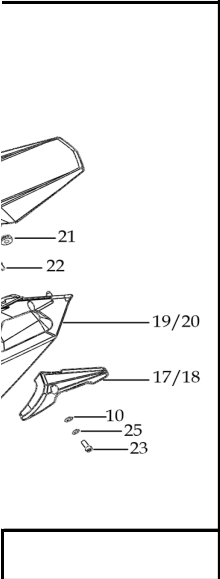






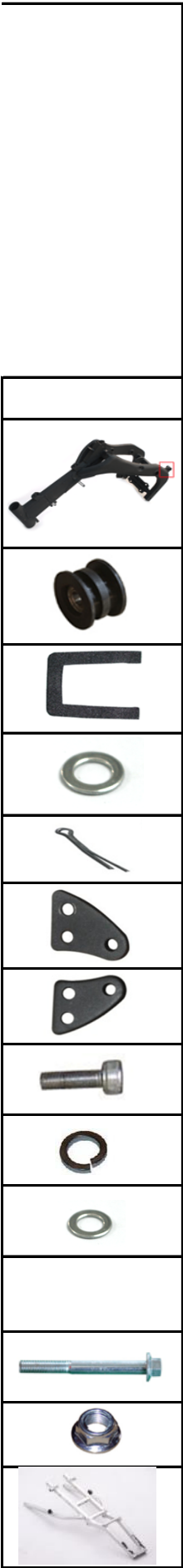


















YAMAHA
MOTOCROSS
compatible 12 & 14 pouces (in)



DRIVE CHAIN - CHAÎNE
KEEP CHAIN ADJUSTED AND LUBRICATED. IS - PRELIERA. SEE OWNER'S MANUAL FOR DETAILED INSTRUCTIONS. ADJUSTER LE CHAÎNE SUJETS ET LUBRIFIE. IS en d'ajustement. VÉRIFIEZ LES INSTRUCTIONS D'UTILISATION, À PARTIR DE MANUEL D'UTILISATION. 
YCF - FRANCE
GENÈVE - FRANCE

TIRE INFORMATION - PNEUS
COLD TIRE PRESSURE FRONT 30 PSI / 2.0 BAR - REAR 20 PSI / 1.4 BAR
MAXIMUM WEIGHT CAPACITY 150 LBS / 68 KG
MAX TIRE PRESS 40 PSI / 2.8 BAR - MAX 30 PSI / 2.1 BAR
PNEU PRESSION À FROID AVANT 3 BAR - ARRIÈRE 2.0 BAR
POUR PLUS D'INFORMATIONS SUR LES
TAILLES PNEUS VISITEZ WWW.YCF.COM

WARNING - IMPORTANT
BEFORE OPERATING THIS VEHICLE YOU MUST CHECK THE ENGINE OIL LEVEL.
AVANT DE DÉMARRER LE VÉHICULE, VÉRIFIEZ LE NIVEAU D'HUILE MOTEUR.

WARNING - AVERTISSEMENT
ATTENTION: NE PAS OUBLIER DE FAIRE LES RÉSERVES D'USAGES AUTRES QU'À TRANSPORTER À RÉCEPTION DES COLIS SUR LE BORD DE LIVRAISON.
PLEASE CHECK THE CONDITION OF CRATE AT RECEIPT OF GOODS. ANY DAMAGE SHOULD BE NOTED ON THE CONNOTE WITH THE FREIGHT CARRIER.
ATTENTION: LA VIS DE L'AMORTISSEUR N'EST PAS SERRÉE.
YCF



NE PAS OUBLIER DE FAIRE LES RÉSERVES D'USAGES AUTRES QU'À TRANSPORTER À RÉCEPTION DES COLIS SUR LE BORD DE LIVRAISON.
PLEASE CHECK THE CONDITION OF CRATE AT RECEIPT OF GOODS. ANY DAMAGE SHOULD BE NOTED ON THE CONNOTE WITH THE FREIGHT CARRIER.

WARNING - AVERTISSEMENT
WARNING: THE SHOCK ASSEMBLY IS NOT LOCKED.
ATTENTION: LA VIS DE L'AMORTISSEUR N'EST PAS SERRÉE.

