

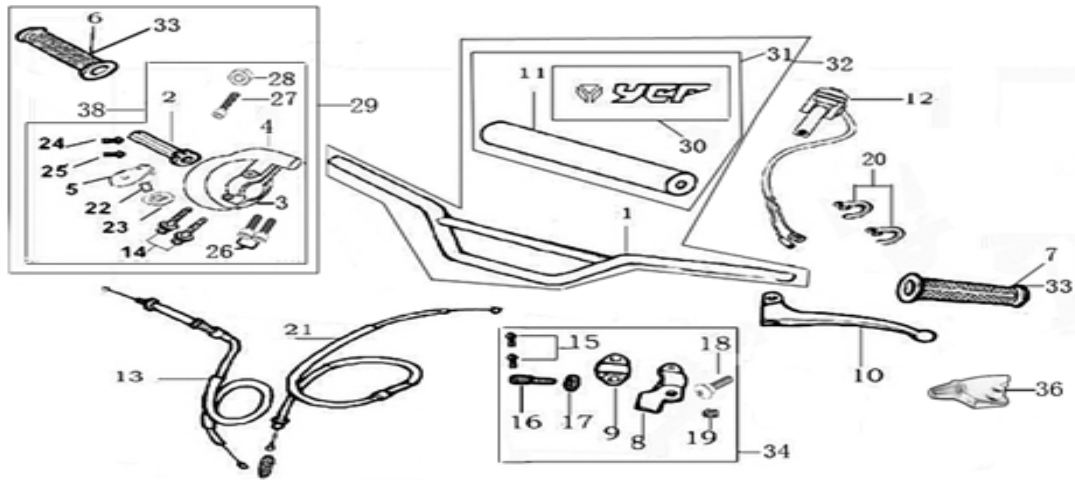


YCF-Riding.com

F125 LITE



Handle bar assembly

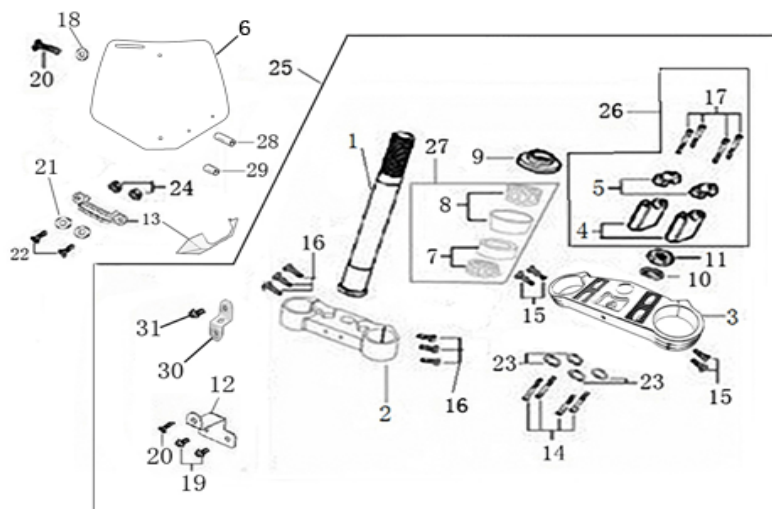


N°	Ref.	Description	Français	Qty/ Bike	MODEL
1	YC110-0101	Handle Bar START Chromelly L=740mm	Guidon chromolly START L=740mm	1	F88L17/F88s12-17/F88se1617/F125L1617/F150L17/F12512-16/F125s12-17/F125se1617/SM125s12-17 / P88s13-15/P12513-17/P15013-17
2	YC110-01021-01	YCF Throttle Body 2012 BLACK	plastique poignée de gaz YCF 2012 NOIR	1	ALL BIKES 2012-17
3	YC110-01021-04	YCF Lower Throttle Body Housing 2012	dessous poignée gaz YCF 2012	1	50A12-17/F88L17/F88s12-17/F88se1617/F125L1617/F150L17/F12512-17/F125s12-17/F125se1617/F88s12-15/P12514-17/SM125s14-17
4	YC110-01021-03	Upper Throttle Body Housing YCF 2012	dessus poignée gaz YCF 2012	1	ALL BIKES 2012-2017
5	YC110-01021-02	Upper Throttle Body Housing Cover YCF 2012	plastique du dessus poignée gaz YCF 2012	1	ALL BIKES 2012-2017
6	YC110-01-01-GY	YCF Right Grip GREY	poignée caoutchouc droite YCF GRISE	1	ALL BIKES 2012-2017
7	YC110-01-02-GY	YCF Left Grip GREY	poignée caoutchouc gauche YCF GRISE	1	ALL BIKES 2012-2017
8	YC110-0108-05	Clutch upper bracket 2014 SILVER	cocotte basse embrayage 2014 SILVER	1	F125L1617/F150L17/F12514-17/P12514-17/P15014-17/SM15014-17/SP114-17/SP214-17/SP314-17

9	YC110-0109-05	Clutch lower bracket 2014 SILVER	demi cocotte embrayage 2014 SILVER	1	F125L1617/F150L17/F12514-17/P12514-17/P15014-17/SM15014-17/SP114-17/SP214-17/SP314-17
	FB13-8×10×8-Cu	Clutch lever bushing $\Phi 8 \times \Phi 10 \times 8.1$ mm copper	entretoise levier embrayage $\Phi 8 \times \Phi 10 \times 8.1$ mm	1	F125L1617/F150L17/F12514-17/P12514-17/P15014-17/SM15014-17/SP114-17/SP214-17/SP314-17
10	YC110-0103-03	Clutch lever 2014 (with FB13- $\Phi 8 \times \Phi 10 \times 6$ -Cu 1EA+FB13- $\Phi 8 \times \Phi 10 \times 8$ -Cu 1EA)	levier embrayage 2014	1	F125L1617/F150L17/F12514-17/P12514-17/P15014-17/SM15014-17/SP114-17/SP214-17/SP314-17
11	YC110-0110-01	Bar pad for Chromolly Handlebar L=250 mm	Mousse guidon pour guidon Chromolly L=250 mm	1	F88L17/F88s12-17/F88se15-17/F125L1617/F150L17/F12512-16/F125s12-17/F125se15-17/P88s13-15/P12513-17/P15012-17/SM125s12-17
12	YC110-0105-11	Kill Switch ON/OFF Waterproof 2017	Coupe circuit on off ETANCHE 2017	1	ALL BIKES2017 (BUT50A/50E/SP3/FD190MX)
13	YC110-0106-04	Throttle Cable L=710mm A+B=130	Cable gaz L=710mm A+B=130	1	F88s1516/F88se15-17/F88L17/F125L17/F150L17
	YC110-0143-01	Rubber for throttle cable	Caoutchouc pour cable de gas	1	ALL BIKES2017 (BUT50E)
14	GB5787-M6×22-G	Hex. Bolt with Flanged Face M6X22	vis M6X22	2	ALL BIKES2012-17(BUT50A)
15	GB5787-M6×20-G	Hex. Bolt with Flanged Face M6X20	vis M6X20	2	F125L1617/F12512-16/P12514-17/F150L17/P15014-17/SM15012-17/SP112-17/SP212-17/SP312-17
16	YC110-0103-04	Clutch Adjust bolt M7×18mm	Tendeur cocotte embrayage M7×18mm	1	F125L1617/F12512-16/P12514-17/F150L17/P15014-17/SM15012-17/SP112-17/SP212-17/SP312-17
17	YC110-0117	Clutch Tight Nut M7	ecrou cocotte embrayage M7	1	F125L1617/F12512-16/P12514-17/F150L17/P15014-17/SM15012-17/SP112-17/SP212-17/SP312-17
18	27-06022B	Clutch Stepped bolt M6X22	vis cloche embrayage M6X22	1	F125L1617/F12512-16/P12514-17/F150L17/P15014-17/SM15012-17/SP112-17/SP212-17/SP312-17
19	6183-06000B	Clutch Self-lock Nut M6	ecrou cloche embrayage M6	1	F125L1617/F12512-16/P12514-17/F150L17/P15014-17/SM15012-17/SP112-17/SP212-17/SP312-17
20	YC110-01-03-BK	Tape 150mm BLACK	colier maintien cable 150mm NOIR	2	ALL BIKES
20	YC110-01-03-WH	Tape 150mm WHITE	colier maintien cable 150mm BLANC	2	ALL BIKES
20	YC110-01-05-BK	Tape 350mm BLACK	colier maintien cable 350mm NOIR	5	ALL BIKES
21	YC110-0109-11	Clutch Cable Assy. L=795mm A+B=75mm	cable embrayage L=795mm A+B=75mm	1	F125L17
22	YC110-0102-08	YCF Throttle cable Bearing $\Phi 8 \times \Phi 16 \times 5$ mm	Roulement poignee gas YCF $\Phi 8 \times \Phi 16 \times 5$ mm	1	ALL BIKES2012-2017
23	YC110-0102-07	YCF Throttle cable guide pulley plastic $\Phi 12 \times \Phi 16 \times \Phi 28 \times 8$ mm	Roulette plastique Poignee Gas YCF $\Phi 12 \times \Phi 16 \times \Phi 28 \times 8$ mm	1	ALL BIKES2012-2017

24	GB819-M4×12	Plus screw M4×12	vis M4×12	1	ALL BIKES2012-2017
25	GB819-M4×20	Plus screw M4×20	vis M4×20	1	ALL BIKES2012-2017
26	GB70-M6×20-B	Hex. Bolt M6x20 BLACK	vis M6x20 NOIR	2	ALL BIKES2012-2017
27	GB70-M5×12	Hex. Bolt M5×12	vis M5×12	1	ALL BIKES2012-2017(BU150A)
30	YC110-012021-BK	PVC for Bar Pad suitable Chromolly Handlebar 246mm×156mm 2013 BLACK	PVC mousse guidon Chromolly 246mm×156mm 2013 NOIR	1	F88s12-16/F88se15-17/F125L1617/F12512-16/F125s12-17/F125se15-17/P88s13-15/P12513-17/P15012-17/SM125s12-17
31	YC110-0132BK	Complete Bar Pad for Chromolly Handlebar L=250mm 2013 BLACK	Mousse guidon complete pour guidon Chromolly L=250mm 2013 NOIR	1	F88s12-17/F88se15-17/F125L1617/F12512-16/F125s12-17/F125se15-17/P88s13-15/P12513-17/P15012-17/SM125s12-17
32	GA02-BK	Chromelly Handle Bar with bar pad and pvc START / PILOT / SM125s 2013	Guidon chromolly complet avec Mousse et Pvc START / PILOT / SM125s 2013	1	F88s12-17/F88se15-17/F125L1617/F12512-16/F125s12-17/F125se15-17/P88s13-15/P12513-17/P15012-17/SM125s12-17
33	PPC010-GY	YCF set of grip GREY	Paire de poignée caoutchouc YCF GRISE	1	ALL BIKES2012-2017
34	YC110-0126-01	Clutch bracket Assy. 2014 SILVER	Cocotte embrayage complete 2014 SILVER	1	F125L1617/F12514-17/P12514-17/P15014-17/SM15014-17/SP114-17/SP214-17/SP314-17
35	YC110-0134-02	Cnc adjustable bracket with lever 2014 SILVER	Cocotte CNC réglage rapide avec levier embrayage 2014 SILVER	1	F125L1617/F12514-17/P12514-17/P15014-17/SM15014-17/SP114-17/SP214-17/SP314-17
36	YC110-0103-10	rubber on clutch lever	caoutchouc levier embrayage	1	F125L1617/F12514-17/P12514-17/P15014-17/SM15014-17/SP114-17/SP214-17/SP314-17
38	YC110-01021-N	YCF Throttle Assy. 2012 without grip (with YC110-0102-08 1EA)	Poignee gaz réglable YCF 2012 nue	1	F88s12-16/F88se15-17/F125L1617/F12512-16/F125s12-17/F125se15-17/P88s1415/P12514-17/SM125s14-17

Steering stem assembly

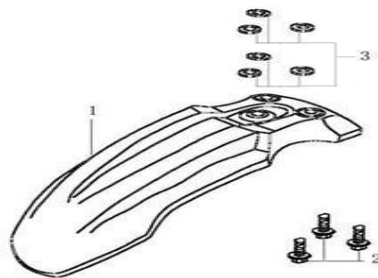


N	Ref.	Description	Français	Qty / Bike	MODEL
---	------	-------------	----------	------------	-------

1	YC50-0200-01	Steering stem 195 mm	tige colonne direction 195 mm	1	50A12-17/F88L17/F125L1617/F150L17
2	YC110-0202-46-BK	Lower triple clamp 160 mm ϕ 33mm F125L 2016	té fourche inferieur 160 mm ϕ 33mm	1	F88L17/F125L1617/F150L17
3	YC110-0201-46-BK	Top Triple Clamp 160mm ϕ 33mm (not adjustable) F125L 2016	té fourche supérieur 160 mm ϕ 33mm (non ajustable)	1	F88L17/F125L1617/F150L17
4	YC110-0203-23	Lower Bar Mount CNC START type, not adjustable ϕ 22.2 / height 55 mm BLACK	Pontet guidon inférieur non ajustable type START ϕ 22.2 / hauteur 55 mm NOIR	2	ALL BIKES2012-2017(BUT50A/SP)
5	YC110-0202-04	Top Bar Mout CNC ϕ 22.2 mm/height 18mm START Type BLACK	pontet guidon supérieur ϕ 22.2 mm Type START NOIR	2	ALL BIKES2013-17 (BUTSP3/BIGYFD190 MX)
6	YC110-0212-07BK	Front Number Plate 2014 BLACK	PLAQUE AVANT 2014 NOIR	1	F125L17/F150L17
7	297-41/22.5	Top Taper roller bearing 41/22.5 R START 08	roulement supérieur 41/22.5	1	50A12-17/F88L17/F88s13-17/F88se15-17/F125L1617/F150L17
8	297-41/24	Lower Taper roller bearing 41/24	roulement inférieur 41/24	1	50A12-17/F88L17/F88s13-17/F88se15-17/F125L1617/F150L17
9	YC110-02-09	Top nut for steering ϕ 52	écrou crantellé colonne direction ϕ 52	1	ALL BIKES2012-2017
10	YC110-02-10	Washer for steering stem nut ϕ 22.5 \times ϕ 36 \times 0.7	joint colonne direction ϕ 22.5 \times ϕ 36 \times 0.7	3	ALL BIKES2012-2017
11	YC110-02-11	Nut for steering stem M22	écrou supérieur colnne direction M22	1	ALL BIKES2012-2017
13	YC110-0214-01-WHI	Break Line Retainer 2014 White (with GB9074.5-M4 \times 10-W 1EA)	guide durite sur plaque avant 2014 BLANC	1	ALL BIKES2014-2016(BUT50A/F88s/F88se/P88s/F125L)/ALL BIKES2017(BUT50A/F88s/F88se/P88s/F88L)
14	GB70-M8 \times 30	Stud screw M8X30	vis M8X30	2	ALL BIKES2012-17 (BUT50A)
15	GB70-M6 \times 25	Stud screw M6X25	vis M6X25	2	ALL BIKES2012-17 (BUT50A)
16	GB70-M6 \times 25	Stud screw M6X25	vis M6X25	2	ALL BIKES2012-17 (BUT50A)
17	GB70-M8 \times 25	Stud screw M8X25	vis M8X25	2	ALL BIKES2012-17 (BUT50A)
20	GB9074.5-M6 \times 12-W	Plus screw M6X12 (for bottom front No plate)	vis m6x12 bas plaque No avant	1	ALL BIKES2014-2017(BUT50A/F88s/F88se/P88s)
21	GB97- ϕ 4-W	flat washer ϕ 4	rondelle ϕ 4	1	ALL BIKES2012-17

22	GB818-M4×10-W	Plus screw M4×10	vis M4×10	1	ALL BIKES2012-17
23	GB93-Φ8-W	Spring washer Φ8mm	rondelle Φ8mm	4	ALL BIKES2012-17
25	YC110-02-047-BK	Complete Triple Clamp F125L 2016 MATT BLACK	Te Fourche Complet F125L 2016 NOIR MAT	1	F88L17/F125L1617/F150L17
26	YC110-0203-05	Set of Bar mount not adjustable φ22.2mm/bottom 55mm START Type BLACK (with GB70-M8×25 4EA+GB70-M8×30 4EA+GB93-Φ8-W 4EA)	jeu pontet guidon non ajustable φ 22.2mm / pontet bas 55mm Type START NOIR	1	ALL BIKES2012-2017(BUT50A/SP)
27	KRDIRECTION41-2	set of bearing for steering 41/24、 41/22.5	kit rit colonne direction 41/24、 41/22.5	1	50A12-17/F88L17/F88s13-16/F88se1617/F125L1617/F150L17
30	YC110-0213-09	Number plate bracket F125 Lite 2017	support plaque avant F125 Lite 2017	1	F125L17/F150L17
31	GB5787-M6×16-W	Hex. Bolt with Flanged Face M6X16	vis M6X16	1	ALL BIKES2012-2017

Front Fender

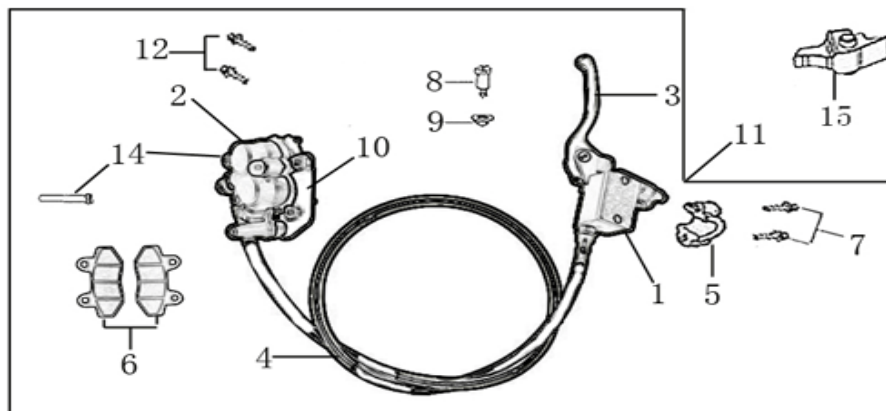


N	Ref.	Description	Français	Qty/ Bike	MODEL
1	YC110-032-01BK	YCF Front Fender 2014 BLACK	GARDE BOUE AVANT 2014 NOIR	1	F125L17/F150L17
2	GB5787-M6×20-W	Hex. Bolt with flanged M6X20	vis M6X20	3	ALL BIKES
3	GB96-Φ6-W	Washer φ6×φ18mm	Rondelle φ6×φ18mm	3	ALL BIKES
3	YC110-03-01	Rubber washer Φ6×Φ18×4mm	caoutchouc Φ6×Φ18×4mm	6	ALL BIKES

Front & Rear absorber

24	YC110-0400-11	Pair of fork (not adjustable) F125L 2016	Jeu de fourche F125L 2016	1	F125L1617/F150L17
----	---------------	--	---------------------------	---	-------------------

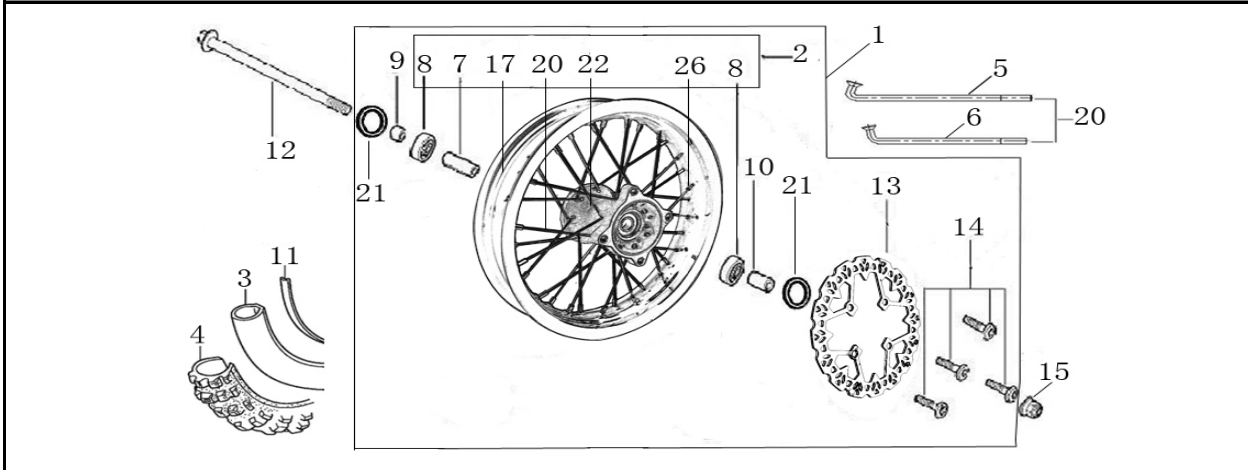
Front Brake Assy



N	Ref.	Description	Français	Qty/ Bike	MODEL
1	YC110-0501-0105	Front Brake Reservoir for 2 pump Φ 10	maitre cylindre frein avant pour étrier 2 pistons Φ 10	1	F88L17/F125L1617/F150L17
2	YC110-0501-0209	Front Brake caliper for 2 pump w/t abestos Φ 10	étrier frein avant double pistons sans amiante Φ 10	1	F125L1617/F150L17
3	YC110-0501-014	Front brake lever 2014 With notch	LEVIER FREIN 2014	1	ALL BIKES2014-17(BUT50A)
4	YC110-0501-0312	Front brake steel line L=1080mm M10/ Φ 10 BLACK 2016	durite frein avant L=1080mm M10/ Φ 10 NOIR 2016	1	F125L1617/F150L17/F125s1617/F125s1617/F125se1617
5	YC110-0501-022	Brake perch bracket for double pump	demi cocotte frein avant pour frein double pistons	1	ALL BIKES2012-17(BUT50A)
6	YC110-0501-0417	Front Brake pads for double pump brake	jeu plaquette frein avant pour frein 2 pistons	2	F125L1617/F150L17
7	GB5787-M6×22-G	Hex.bolt with flanged M6X22	vis M6X22	2	ALL BIKES2012-17(BUT50A)
8	HB06-M6×25-G	Hex.bolt with flanged M6X25	vis M6X25	1	ALL BIKES2012-17(BUT50A)
9	GB6177-M6-G	Self-locking nut M6	écrou M6	1	ALL BIKES2012-17(BUT50A)
10	YC110-0501-030	Bracket for front brake 2 pumps	patte frein avant etrier 2 pistons	1	ALL BIKES2012-15 (BUT50A/F88s/F88se) /F88L17/F125L1617/F150L17/F125s1617/F125s1617/F125se1617/P1251617/P1501617/SP11617/SM1617
11	YC110-0501-018	Front brake assy 2 pumps F125L 2016	kit frein avant 2 pistons avec gaine plastic F125L 2016	1	F125L1617/F150L17

12	GB70-M6×30-W	Stud screw M6X30	vis M6X30	2	ALL BIKES2012-17 (BUT50A)
14	YC110-1255-01	caliper screw for front brake L=53mm Army green	vis plaquette frein avant L=53mm	2	F125L1617/F150L17
15	YC110-0502-01	rubber for brake lever	caoutchouc levier frein avant	1	ALL BIKES2014-17(BUT50A)

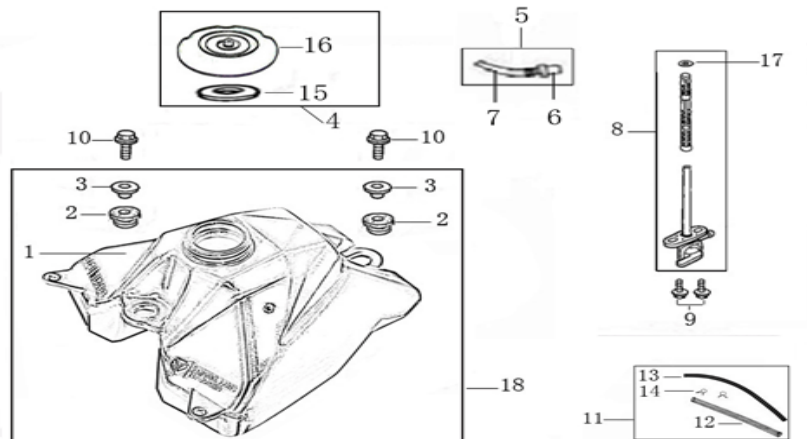
Front Wheel Assy



N	Ref.	Description	Français	Qty/ Bike	MODEL
1	YC110-0601-5D	Complete STEEL Front wheel 1.4x14' with disk 2016. Casting hub	roue avant complète ACIER 1.4x14' moyeux injecte avec disque	1	F125L17/F12516/F125s1617/F125se1617/P1251617/F150L17/P1501617
2	YC110-0602-51	Complete STEEL Front wheel 1.4x14' without disk. Casting hub	roue avant complète ACIER 1.4x14' moyeux injecte sans disque	1	F125L1617/F150L17/F12512-16/F125s12-17/F125se1617/P12513-17/P15013-17/SP112-15
3	CHAMBRE14	Tube for front tire 60/100-14' GL	chambre air 14' GL	1	F125L1617/F150L17//F12512-16/F125s12-17/F125se15-17/P12513-17/P15013-17/SP13-17
	FB6170-M8-Cr	Tire valve nut M8	Ecrou M8 pour Chambre a air	1	ALL BIKES
4	60/100/14	Front tyre 60/100/14' GUANGLI	pneu 60/100/14' GUANGLI	1	F125L1617/F12512-16/F125s12-17/F125se15-17/P12513-17/P15013-17/SP112-17
7	YC110-0601-02	Front axle bushing $\Phi 16 \times \Phi 22 \times 44$	entretoise central roue avant $\Phi 16 \times \Phi 22 \times 44$	1	ALL BIKES2013-15(BUT50A)/ALL BIKES2017(BUT50A/SP2/SP3)
8	96140-6202-2Z	Ball bearing 6202-2Z $\Phi 35 \times \Phi 15 \times 11$	roulement roue 6202-2Z $\Phi 35 \times \Phi 15 \times 11$	2	ALL BIKES2012-2015 (BUT50A)/ALL BIKES2016-17 (BUT50A/SP2/SP3)
9	YC110-06-042	Front wheel spacer right $\phi 15 \times \Phi 22 \times 23$ mm	entretoise roue avant droite $\phi 15 \times \Phi 22 \times 23$ mm	1	ALL BIKES2012-14 (BUT50A)/F88L17/F125L1617/F150L17
10	YC110-06-052	Front wheel spacer left $\phi 15 \times \Phi 22 \times 33$ mm	entretoise roue avant gauche $\phi 15 \times \Phi 22 \times 33$ mm	1	ALL BIKES2012-2015 (BUT50A)/ALL BIKES2016-17(BUT50A/SP2/SP3)

11	YC110-06-01	tire lining for 1.4x14'	fond jante av 14'	1	F125L1617/F150L17/F12512-16/F125s12-17/F125se15-17/P12513-17/P15013-17/SP12-17
12	YC110-11-074	Front wheel axle L=215mm with Self locking nut M14	Axe de roue avant Φ 15 L=215mm	1	LITE2017
13	YC110-0513-02	Front disk ϕ 220 mm 2016	disque frein avant ϕ 220 mm 2016	1	ALL BIKES 2016-17(BUT50A/F88s/F88se/F88L)
14	GB70.2-M8x16	Screw for disk M8X16	vis disque frein M8X16	4	ALL BIKES2016-17 (BUT50A)
15	GB6187-M14-W	Self-locking nut M14	écrou roue avant M14	1	ALL BIKES2012-17(BUT50A)
17	YC110-0601-01	STEEL Rim for Front wheel 1.4x14'	cerceau roue av 1,4x14' ACIER	1	F125L1617/F12512-16/F125s12-17/F125se15-17/P12513-17/P15013-17/SP12-17
20	JR14-14.5	set of front spoke 14' (147mmx32)	Jeu rayon avant 14' (147mmx32)	1	F125L1617/F150L17/F12512-16/F125s12-17/F125se15-17/P12512-17/P15013-17/SP12-17/SP212-15/SP312-15
21	YC110-0611	OIL SEAL Φ 23x Φ 35x5	joint spy roue Φ 23x Φ 35x5	2	ALL BIKES2013-17(BUT50A)
22	YC110-0622-02	Front hub casting with oil seal	moyeux avant injectée avec joint spy	1	ALL BIKES2012-15 (BUT50A/SP1/SP11)/ALL BIKES 2016-17(BUT50A/SP/BIGY)

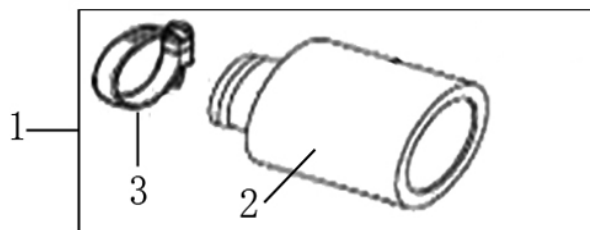
Fuel Tank



N	Ref.	Description	Français	Qty/ Bike	MODEL
1	YC110-0701-01	YCF Fuel tank with YC110-1910 1EA (suitable for pre 2013 bikes)	Reservoir YCF (Adaptable pour motos avant 2013)	1	ALL BIKES2013-17 (BUT50A/50E)
2	YC110-07-01	Cushion for fuel tank	caoutchouc pour reservoir	2	ALL BIKES2011-17

3	YC110-07-02	Washer for fuel tank $\Phi 12 \times \Phi 30 \times 11 \text{mm}$	entretoise pour reservoir $\Phi 12 \times \Phi 30 \times 11 \text{mm}$	2	ALL BIKES2011-17
4	YC110-0702-01	YCF Tank cap plastic 2013	Bouchon reservoir plastique YCF 2013	1	ALL BIKES2013-17
5	YC125-0704-BK	Fuel tank valve BLACK	Valve prise air NOIR	1	ALL BIKES
6	YC110-0704-BK	Cap of Fuel tank valve BLACK	Capuchon Valve prise air NOIR	1	ALL BIKES
7	YC110-0705-BK	Fuel tank valve Hose L=40mm BLACK	Durite caoutchouc Vale prise air L=40mm NOIRE	1	ALL BIKES
8	YC110-0703	Fuel cock assy.	robinet essence	1	ALL BIKES
9	GB5787-M6×16-W	Hex. Bolt with flanged M6X16	vis M6X16	2	ALL BIKES
10	GB5787-M8×25-B	Hex. Bolt with flanged M8X25 BLACK	vis M8X25 NOIR	2	50A13-17/F88s13-16/F88se15-17/F88L17/F125L1617/F150L17/F12513-16/F125s13-17/F125se15-17/SM125s13-17
11	YC110-0706	fuel tank rubber line + spring $\Phi 4.5 \times \Phi 8.5 \times 210 \text{mm}$	durite reservoir avec ressort $\Phi 4.5 \times \Phi 8.5 \times 210 \text{mm}$	1	ALL BIKES
12	YC110-07061	fuel tank lspring L=180mm	ressort durite reservoir L=180mm	1	ALL BIKES
13	YC110-07062	fuel tank rubber line $\Phi 4.5 \times \Phi 8.5 \times 210$	durite reservoir $\Phi 4.5 \times \Phi 8.5 \times 210$	1	ALL BIKES
14	YC110-07063	Holding ring	collier FILTRE	2	ALL BIKES
15	YC110-0720-02	Rubber mat for tank cap plastic $\Phi 14 \times \Phi 52 \times 2 \text{mm}$ Oil proof	Caoutchouc bouchon reservoir YCF $\Phi 14 \times \Phi 52 \times 2 \text{mm}$	1	ALL BIKES2013-17
17	YC110-0717	O-RING, $\Phi 11 \times 3 \text{mm}$ For Fuel tank	Joint Thorique $\Phi 11 \times 3 \text{mm}$ pour Reservoir	1	ALL BIKES2013-17 (BUT50A/50E)
18	YC110-0718	YCF Complete fuel tank suitable for pre 2013 bikes (with YC110-07-01 2EA+YC110-07-02 2EA+YC110-1910 1EA)	Reservoir complet YCF 2013 (Adaptable pour motos avant 2013)	1	ALL BIKES2013-17 (BUT50A/50E)

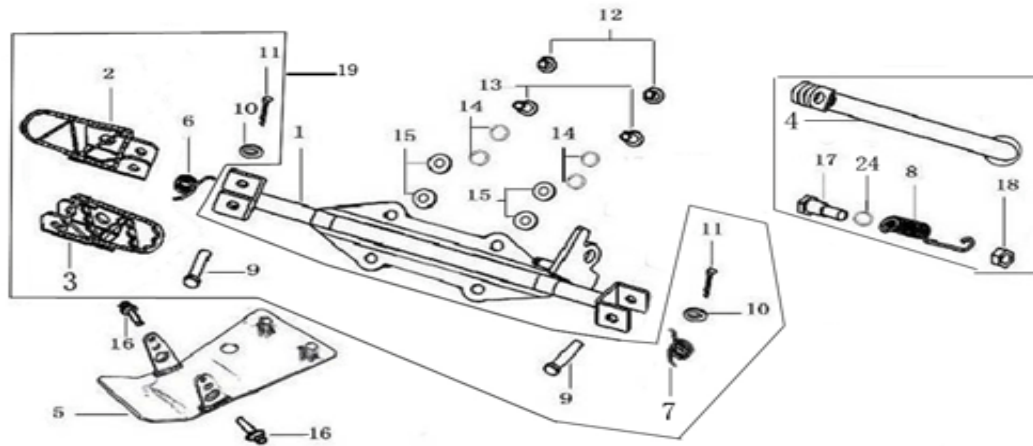
Air Filter



N	Ref.	Description	Français	Qty/ Bike	MODEL
---	------	-------------	----------	--------------	-------

1	YC110-0802-01RD	Air filter assy Φ 38mm 2014 (with YC110-0805 1EA)	filtre air Φ 38mm Complet 2014	1	F88L17/F125L1617/F150L17/F12514-16/F125s14-17/F125se15-17/P1251415/P1501415/S M125s14-17/SM1501415
2	YC110-0801-01-RD	Air filter Φ 38mm YCF LOGO 2014 RED	YCF filtre seul Φ 38mm 2014 ROUGE	1	F88L17/F125L1617/F150L17/F12514-16/F125s14-17/F125se15-17/P1251415/P1501415/S M125s14-17/SM1501415
3	YC110-0805	Holding ring ϕ 27- ϕ 51mm	collier Filtre ϕ 27- ϕ 51mm	1	ALL BIKES2012-17 (BUT50A)

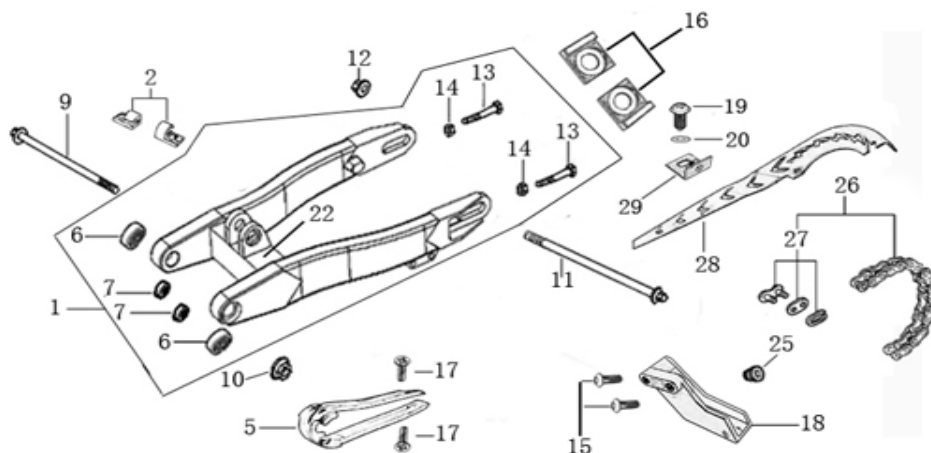
Foot Peg assy



N	Ref.	Description	Français	Qty/ Bike	MODEL
1	YC88-0901-01	Foot pegs bar START F88s GREY	barre repose pied Grise START F88s GRISE 2013	1	F88s13-16/F88se15-17/F88L17/F125L1617/F150L17
2	YC110-0902-01	Right foot peg Steel START / PILOT 2013 GREY	Repose pied Acier droit START / PILOT 2013 GRIS	1	F88s13-16/F88se15-17/F88L17/F125L1617/F150L17/F12513-16/F125s13-17/F125se15-17/P88s13-15/P12513-17/P15013-17/SM13-17
3	YC110-0903-01	Left foot peg Steel START / PILOT 2013 GREY	Repose pied Acier gauche START / PILOT 2013 GRIS	1	F88s13-16/F88se15-17/F88L17/F125L1617/F150L17/F12513-16/F125s13-17/F125se15-17/P88s13-15/P12513-17/P15013-17/SM13-17
4	YC110-196	Kick stand 280mm	bequille 280mm	1	F125L1617/F150L17/F12513-16/F125s13-17/F125se15-17/P88s13-15/P12513-17/P15013-17/SM13-17
5	YC110-202-01	YCF Engine skid plate Steel START125 / PILOT /SM150 MATTE BLACK	Sabot moteur Acier YCF START125 / PILOT /SM150 NOIR MAT	1	F125L1617/F150L17/F12513-16 /P12513-17/P15013-17/SM15013-17
6	YC110-09-01	Spring for right steel foot peg Φ 1.5 \times Φ 16.5 \times 10mm	ressort repose pied droit acier Φ 1.5 \times Φ 16.5 \times 10mm	1	ALL BIKES2013-2017(BUTSP/BIGYF150MX/FD190MX)
7	YC110-09-02	Spring for left steel foot peg Φ 1.5 \times Φ 16.5 \times 10mm	ressort repose pied gauche acier Φ 1.5 \times Φ 16.5 \times 10mm	1	ALL BIKES2013-2017(BUTSP/BIGYF150MX/FD190MX)
8	YC110-19-01	spring for kick stand Φ 2.5 \times Φ 15 \times 105	ressort bequille Φ 2.5 \times Φ 15 \times 105	1	ALL BIKES2014-17(BUTSP1/SP2/SP3)
9	GB882- Φ 8 \times 43-W	shaft pin for steel footpegs ϕ 8 \times 43	axe repose pied acier ϕ 8 \times 43	2	ALL BIKES2014-17(BUT50A/50E/SP1/SP2/SP3)

10	GB97-Φ8-W	flat washer φ8×16×1	rondelle φ8×16×1	2	ALL BIKES2011-17
11	GB91-Φ2×25-W	Cotter pin 2.0×25	goupille 2.0×25	2	ALL BIKES2013-17
12	GB5787-M8×25-W	screw M8X25	vis M8x25	2	F88s13-16/F88se15-17/F12513-16/F125s13-17/F125se15-17/SM125s13-17
13	GB5787-M8×50-W	screw M8X50	vis M8x50	2	F88s13-16/F88se15-17/F88L17/F125L1617/F150L17
14	GB93-Φ8-W	Foot pegs bar washer φ8	rondelle φ8	4	F88L17/F88s13-16/F88se15-17/F125L17/F150L17/F125s13-16/F125s13-17/F125se15-17/SM125s13-17
15	GB97-Φ8-W	flat washer φ8×16×1	rondelle φ8×16×1	4	ALL BIKES2011-17
16	GB5787-M6×16-W	screw M6X16 for skid plate	vis sabot M6X16	2	ALL BIKES2012-17(BUT50A)
17	FB02-M10×1.5×30I	Stepped screw M10X35 for kick stand	vis bequille M10X35	1	ALL BIKES2014-17(BUTSP1/SP2/SP3)
18	GB6170-M10-G	Hex. Nut M10	ecrou bequille M10	1	ALL BIKES2014-17(BUTSP1/SP2/SP3)
19	YC110-0902/10	Steel foot pegs set START / PILOT 2013 GREY	Jeu repose pied Acier START / PILOT 2013 GRIS	1	F88L17/F88s13-16/F88se15-17/F125L1617/F150L17/F125s13-16/F125s13-17/F125se15-17/P88s13-15/P12513-17/P15013-17/SM13-17
24	GB93-Φ10-W	Standard spring washer φ10	rondelle φ10	1	ALL BIKES2014-17(BUTSP1/SP2/SP3)

Swing Arm assy

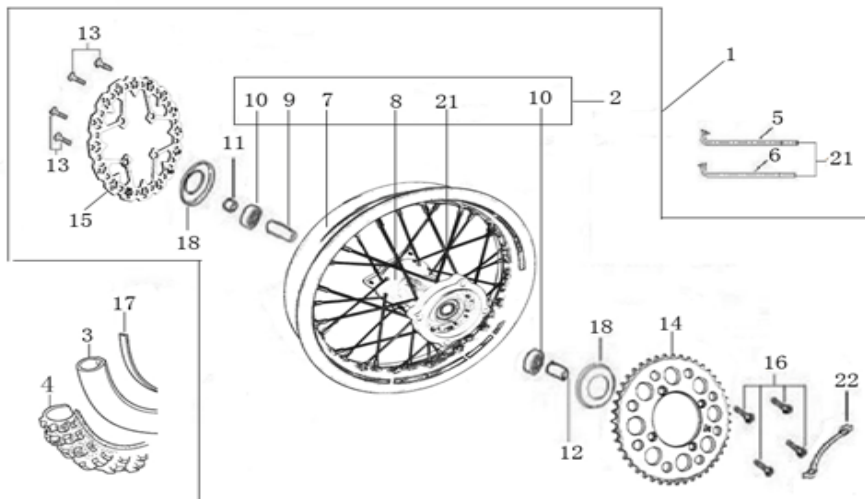


N	Ref.	Description	Français	Qty/ Bike	MODEL
1	YC110-1001-12	Cantilever swing arm LITE 2017	Bras oscillant Cantilever Acier LITE 2017	1	LITE 2017

2	YC110-10-014-BK	Rear brake clip for BLACK	attache durite frein arriere NOIR	1	ALL BIKES2012-15(BUTSP1/SP2/SP3)/ ALL BIKES2016-17 (BUTSP2/SP3)
5	YC110-10-021	chan slider short	patin chaine court	1	LITE 2017
6	6001/28-12-08	Swing arm bearing $\varnothing 28 \times \varnothing 12 \times 8 \text{mm}$	roulement bras oscillant $\varnothing 28 \times \varnothing 12 \times 8 \text{mm}$	2	ALL BIKES2009-17
7	YC110-1001-013	Spacer for swing arm $\Phi 12 \times \Phi 20 \times 11.5$	entretoise $\Phi 12 \times \Phi 20 \times 11.5$	2	F88L17/F88s12-16/F88se15-17/F125L1617/F150L17/F12512-16/F125s12-17/F125se15-17/F88s12-15/P12513-17/P15013-17/SM12-17/SP1617
9	YC110-10-037	Swing arm shaft with self lock nut M12 L=205mm	axe bras oscillant avec ecrou M12 L=205mm	1	LITE 2017
10	GB6187-M12-W	Self locking nut M12	ecrou bras oscillant M12	1	ALL BIKES2012-17
11	YC110-11-078	Rear wheel axle L=245mm with Self locking nut M14	axe roue arriere avec ecrou L=245mm avec ecrou M14	1	LITE2017
12	GB6187-M14-W	Self locking nut M14	ecrou axe roue arriere M14	1	ALL BIKES2012-17(BUT50A)
15	GB70.2-M8×16	Screw M8X16	vis M8X16	2	ALL BIKES2016-17 (BUT50A)
16	YC110-1016-01	Block axle $\Phi 15$ LITE 2017	Tendeur chaine $\Phi 15$ LITE 2017	2	LITE 2017
	YC50-1001-002	YCF50 Block axle fixing plate	Patte acier fixation tendeur chaine YCF50	2	50A12-17/50E1617/LITE 2017
	GB6189-M8-W	Cltch Self-lock Nut M8	ecrou M8	2	50A12-17/50E1617/LITE 2017
17	GB819-M6×16-W	Plus screw M6X16	vis m6x16	3	ALL BIKES2015-17(BUTSP2/SP3/BIG YF150MX/FD190MX)
	GB6100-M6-CW	nut M6×25mm	Vis M6×25mm	3	ALL BIKES2015-17(BUTSP2/SP3/BIG YF150MX/FD190MX)
18	YC110-1005	YCF chain guide assy for R-START range BLACK	guide chaine YCF pour gamme R-START NOIR	1	F125L17/F150L17/F12512-16/F125s12-17/F125se15-17/P88s12-15/P1251314/P1501314/SM125s12-17/SM1501314
19	GB818-M6×12-W	Plus screw M6x12	vis M6x12	3	ALL BIKES2012-17(BUT50A)
20	GB97- $\Phi 6$	Flat washer $\varnothing 6$	rondelle $\varnothing 6$	3	ALL BIKES2012-17
26	420H-106T	Chain 420H-106T, normal	chaine 420 106 maillons standard	1	F125L17/F150L17

27	AR-420	Chain link	Attache rapide chaine	1	ALL BIKES2012-17(BUT50E)
28	YC110-0600-01	Chain box protection	Protection chaine plastique	1	ALL BIKES2012-2015(BUT50A)/ ALL BIKES2016-17(BUT50A/F88s/F88se/BIGY)
29	YC110-0600-02	Chain box protection support	Support Protection chaine plastique	2	ALL BIKES2012-2017(BUT50A)

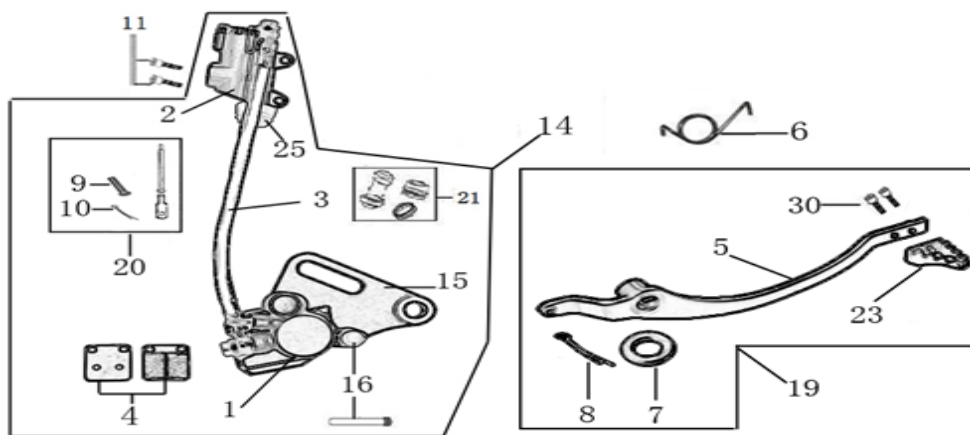
Rear Wheel Assy



N	Ref.	Description	Français	Qty/ Bike	MODEL
1	YC110-1101-2F	Complete STEEL Rear wheel 1.85x12' with disk 2016. Casting hub	Roue arriere complete ACIER 1.85x12' moyeux injecte avec disque	1	F125L17/F12516/F125s1617/F125se1617/P1251617/F150L17/P1501617
2	YC110-1102-21	Complete STEEL Rear wheel 1.85x12' without disk. Casting hub	roue arriere complete ACIER 1.85x12' moyeux injecte sans disque	1	F125L1617/F150L17/F12512-16/F125s12-17/F125se15-17/P12513-17/P15013-17
3	CHAMBRE12	Tube for Rear tire 3.00-12' GL	chambre air 12' standard GL	1	ALL BIKES2012-2017(BUT50A/F88s/F88se/P88s)
	FB6170-M8-Cr	Tire valve nut M8	Ecrou M8 Chambre a air	1	ALL BIKES
4	300/12	Rear tyre 80/100-12' GUANGLI	pneu arriere 80/100/12 GUANGLI	1	F125L1617/F150L17/F12512-16/F125s12-17/F125se1617/P12513-17/P15013-17/SP112-17
7	YC110-1101-012	STEEL Rim 1.85x12'	cerceau roue 1,85x12' ACIER	1	F125L1617/F150L17/F12512-16/F125s12-17/F125se15-17/P12513-17/P15013-17/SP112-17
8	YC110-1122-02	Rear wheel hub Casting with oil seal	moyeux arriere injectee avec joint spy	1	ALL BIKES2012-17 (BUT50A/SP/BIGY)
10	96140-6202-2Z	Ball bearing 6202-2Z $\Phi 35 \times \Phi 15 \times 11$	roulement roue 6202-2Z $\Phi 35 \times \Phi 15 \times 11$	2	ALL BIKES2012-2015 (BUT50A) / ALL BIKES2016-17 (BUT50A/SP2/SP3)

11	YC110-11-041	Rear wheel spacer right $\Phi 15 \times \Phi 22 \times 29 \text{mm}$	entretoise roue arriere droite $\Phi 15 \times \Phi 22 \times 29 \text{mm}$	1	F88s12-16/F88se15-17/F88L17/F125L1617/F150L17/F12512-16/F125s12-17/F125se15-17/P88s12-15/P12513-17/P15013-17/SM12-17/SP11617
12	YC110-11-052	Rear wheel spacer left $\Phi 15 \times \Phi 22 \times 38 \text{mm}$	entretoise roue arriere gauche $\Phi 15 \times \Phi 22 \times 38 \text{mm}$	1	F88s12-16/F88se1517/F88L17/F125L1617/F150L17/F12512-16/F125s12-17/F125se15-17/P88s12-15/P12513-17/P15013-17/SM12-17/SP11617
13	GB70.2-M8x16	Screw for disk M8X16	vis disque frein M8X16	4	ALL BIKES2016-17 (BUT50A)
14	YC110-11-06/45	YCF Driven sprocket 420-45T	couronne acier 45T YCF	1	50A1617/F125L1617/F150L17/F12512-16/F125s12-17/F125se15-17/P12513-17/P15013-17/SM12-17
15	YC110-1115-01	Rear Brake disc $\phi 200 \text{mm}$ 2016	Disque frein arriere $\phi 200 \text{ mm}$ 2016	1	ALL BIKES2016-17(BUT50A/50E)
16	GB5783-M8x25-W	Exterior Hex.Bolt M8X25	vis M8x25	4	F88s13-16/F88se15-17/F88L17/F125L1617/F150L17/F12513-16/F125s13-17/F125se15-17/P88s13-15/P12513-17/P15013-17/SM13-17
17	YC110-11-01	tire lining 12"	fond jante 12'	1	ALL BIKES2012-2015(BUT50A/F88s/F88se/P88s)/ALL BIKES2016-17(BUT50A/F88s/F88se/F88L)
18	YC110-0611	OIL SEAL $\Phi 23 \times \Phi 35 \times 5$	joint spy roue $\Phi 23 \times \Phi 35 \times 5$	2	ALL BIKES2013-17(BUT50A)
21	JR12-12.7	set of spoke 12' ($125 \text{mm} \times 16 + 128 \text{mm} \times 16$)	jeu rayon arriere 12' ($125 \text{mm} \times 16 + 128 \text{mm} \times 16$)	1	F125L1617/F150L17/F12513-16/F125s13-17/F125se15-17/P12513-17/P15013-17/SP113-17
22	YC110-11-03	Sprocket Locking piece	block couronne	2	ALL BIKES2013-17 (BUTSP1/SP2/SP3/BI-GY)

REAR BRAKE

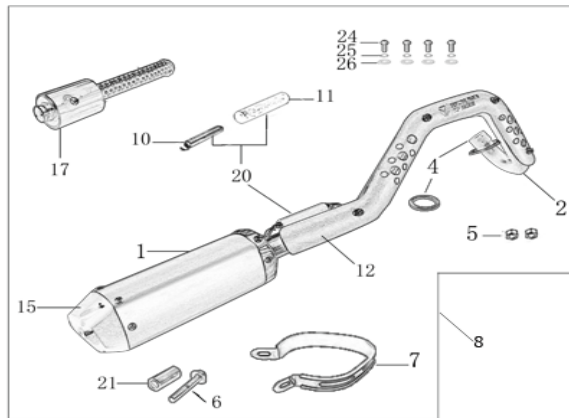


N	Ref.	Description	Français	Qty/ Bike	MODEL
---	------	-------------	----------	--------------	-------

1	YC110-1201-12	Rear Caliper 1 pistons Φ 10 F125 LITE 2017	étrier frein arrière 1 piston sans amiante Φ 10 F125 LITE 2017	1	LITE2017
2	YC110-1201026	Rear reservoir Φ 10	maitre cylindre frein arrière avec embout durite Φ 10	1	F88L17/F125L1617/F150L17
4	YC110-120104	Friction pad for 1 piston brake	plaquette frein arrière 1 piston	2	F88s12-16/F88se15-17/F88L17/F125L1617/F150L17
5	YC110-1205-03	Steel brake pedal START F88s	pédale de frein START F88s	1	F88s12-16/F88se15-17/F88L17/F125L1617/F150L17
6	YC110-21-01	Spring for Steel brake pedal' Φ 3 \times Φ 32 \times 7mm	ressort pour pédale de frein Acier Φ 3 \times Φ 32 \times 7mm	1	ALL BIKES2013-14(BUT50A)/ALL BIKES2015-2017(BUT50A/SP/F150MX/FD190MX)
7	FB20-15 \times 25 \times 2-W	Flat washer Φ 14.5 \times Φ 25 \times 2	rondelle Φ 14.5 \times Φ 25 \times 2	1	F88s13-16/F88se15-17/F88L17/F125L1617/F150L17/F125s13-16/F125s13-17/F125se15-17/SM125s13-17
8	GB91- Φ 2.5 \times 30-W	Slipt Pin Φ 2.5 \times 30mm	goupille Φ 2.5 \times 30mm	1	F88s13-16/F88se15-17/F88L17/F125L1617/F150L17/F125s13-16/F125s13-17/F125se15-17/SM125s13-17
9	GB882- Φ 7 \times 16-W	Pin shaft 7 \times 16mm	axe 7 \times 16mm	1	ALL BIKES2012-17 (BUT50A)
10	GB91- Φ 1.6 \times 16-W	Split pin 1.6 \times 16mm	goupille 1.6 \times 16mm	1	ALL BIKES2012-17 (BUT50A)
11	GB70-M6 \times 20	Hex. Bolt M6 \times 20	vis M6 \times 20	2	ALL BIKES2012-17 (BUT50A)
14	YC110-12012-31	Rear brake aasy 1 piston L=450mm Φ 10/10 LITE 2017	Kit frein arriere 1 piston avec gaine plastic L=450mm Φ 10/10 LITE 2017	1	LITE2017
15	YC110-1215-12	Rear brake bracket LITE 2017	patte fixation étrier frein arriere LITE 2017	1	LITE2017
16	YC110-1255	Rear Brake pads Screw L=38mm	Vis plaquette AR L=38mm	2	ALL BIKES2012-15(BUT50A)/ALL BIKES2016-17(BUT50A/SP2/SP3)
19	YC110-213	Steel Brake pedal	pédale de frein Acier	1	5011/F88s12-16/F88se1517/F88L17/F125L1617/F150L17
20	YC110-12021	Rear reservoir puch stick L=115mm	Tige poussoir maitre cylindre L=115mm	1	F88s13-16/F88se15-17/F88L17/F125L1617/F150L17/F125s13-16/F125s13-17/F125se15-17/SM125s13-17
21	YC110-120110	rubber for rear caliper	jeu de caoutgouc d'etrier frein arriere	1	ALL BIKES2012-2015 (BUT50A) /F88s16/F88se1617/F88L17/F125L1617/F150L17/F12516/F125s1617/F125se1617/SM125s1617
23	YC110-21-10	Steel brake pedal end cap	embout pédale de frein Acier	1	F88s12-16/F88se15-17/F88L17/F125L1617/F150L17/F12512-16/F125s12-17/F125se15-17/P88s12-15/P12513-17/P15013-17/SM12-17
25	YC110-12025	Rubber for REAR RESERVOIR PUSH STICK	Caoutchouc tige maitre cylindre frein arrier	1	ALL BIKES2012-2015 (BUT50A) /F88s16/F88se1617/F88L17/F125L1617/F150L17/F12516/F125s1617/F125se1617/SM125s1617

30	GB70-M6×16-Cr	Hex. Bolt M6x16	vis M6x16	2	F88s13-16/F88se15-17/F88L17/F125L1617/F150L17/F12513-16/F125s13-17/F125se15-17/P88s13-15/P12513-17/P15013-17/SM13-17
----	---------------	-----------------	-----------	---	--

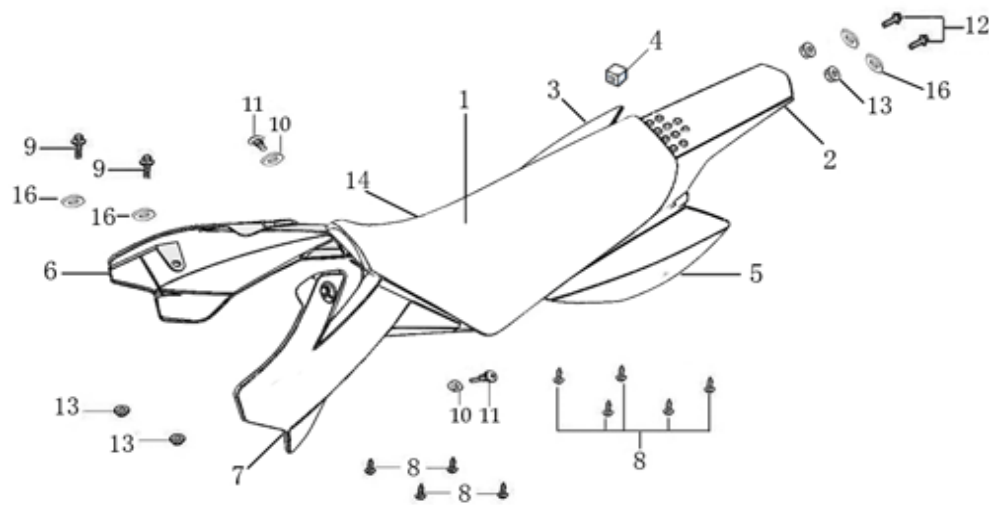
Exhaust system



N	Ref.	Description	Français	Qty/ Bike	MODEL
1	YC110-13016-GY	YCF Muffler 94db START L=295mm (1 springs) 2015 GREY	silencieux YCF 94db 2015 GRISE	1	F88s1516/F88se15-17/F88L17/F125L1617/F150L17/F1251516/F125s15-17/F125se15-17/P88s15/P12515-
2	YC110-13022-02	Exhaust pipe with protection plate Φ 28 mm START 2013	collecteur avec plaque Φ 28 mm START 2013	1	F88s13-16/F88se15-17/F88L17/F125L1617/F150L17/F12513-16/F125s13-17/F125se15-17/SM125s13-17
4	18291/152FMH	Exhaust pipe washer ϕ 32× ϕ 25.5×4	joint pot ϕ 32× ϕ 25.5×4	1	ALL BIKES2012-17 (BUT50A/50E)
5	GB6170-M6-W	Hex flanged self locking nut M6	écrou M6	2	ALL BIKES
6	GB5787-M8×40-W	Hex. Bolt with flanged M8x40	vis M8x40	1	F88s13-16/F88se15-17/F88L17/F125L1617/F150L17/F12513-16/F125s13-17/F125se15-17/SM125s13-17/SP113-17/SP213-17/SP313-17
7	YC110-13-04	Hoop for muffler YCF START 2011(with FB13- Φ 10× Φ 14×23-W 1EA+GB5787-M8×40-W 1EA)	Attache silencieux YCF START 2011	1	5011/F88s12-16/F88se15-17/F88L17/F125L1617/F150L17/F12512-16/F125s12-17/F125se15-17/P88s12-15/P12513-17/P15012-17/SP112-17/SM12-17
8	YC110-136-GY	START Muffler& Exhaust pipe assy YCF 94db (1 spring)	Echappement complet YCF 94db START (1 ressort)	1	F88s1516/F88se15-17/F88L17/F125L1617/F150L17/F1251516/F125s15-17/F125se15-17/SM125s15-17
10	YC110-13-201	muffler spring Φ 6.5× Φ 9×50mm	ressort pot Φ 6.5× Φ 9×50mm	1	ALL BIKES2012-14(BUT50A)/ALL BIKES2015-17 (BUT50A/SP2/SP3/BI GYF150MX/FD190MX)
11	YC110-138	rubber for muffler spring	caoutchouc ressort pot	1	ALL BIKES2012-17(BUT50A)
12	YC110-1312	Protection for exaust pipe START SM125s 2013	Grille pot START SM125s	1	F88s13-16/F88se15-17/F88L17/F125L1617/F150L17/F12513-16/F125s13-17/F125se15-17/SM125s13-17
15	YC110-13-32	Muffler end cap YCF	Emout silencieux YCF	1	5011/F88s12-16/F88se15-17/F88L17/F125L1617/F150L17/F12512-16/F125s12-17/F125se15-17/P88s12-15/P12513-17/P15013-17/SM12-17/SP113-17

17	YC110-13-301	Noise reducer (spark arrestor) YCF START	Bride de pot YCF START	1	F88s12-16/F88se15-17/F88L17/F125L1617/F150L17/F12512-16/F125s1217/F125se15-17/P88s12-15/P12513-17/P15013-17/SM12-17/SP112-17
20	YC110-13-21	muffler spring with rubber	ressort pot avec le caoutchouc	1	ALL BIKES2012-14(BUT50A)/ALL BIKES2015-17 (BUT50A/SP2/SP3/BI GYF150MX/FD190MX)
21	FB13-10×14×28-W	Muffler Hoop spacer Φ10×Φ14×28mm	Entretoise attache silencieux Φ10×Φ14×28mm	1	LITE2017
24	GB70.2-M6×10-Cr	Plus screw M6×10	vis M6×10	4	ALL BIKES2013-17
25	GB93-Φ6-W	Standard spring washer φ6	rondelle φ6	4	ALL BIKES2013-17
26	GB97-Φ6-W	flat washer φ6	rondelle φ6	4	ALL BIKES2013-17

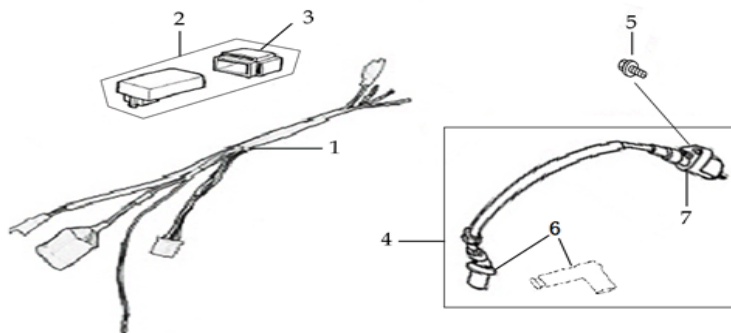
Seat & Plastic kit



N	Ref.	Description	Français	Qty/ Bike	MODEL
1	YC110-1401-10	CRF 50 Seat assy L=480mm	selle CRF 50	1	F88s1617/F88se1617/F88L17/F1251617/F150L17/F125s1617/F125se1617/SM125s1617
2	YC110-14-012BK	YCF Rear fender 2013 BLACK	Garde boue arrière YCF 2013 avec Picots NOIR	1	F88s1314/F88L17/F125L1617/F150L17/F1251314/F125s1314/SP11314/SPII1314/SPIII1314/SM125s1314/SM125s17
3	YC110-14-022BK	YCF right side plastic BLACK	Plaque latérale droite YCF NOIRE	1	SM12512/P88s1314/F88L17/F125L1617/F150L17/P1251314/P1501314
4	YC110-14-03	Cushion for right side plastic	caoutchouc plaque laterale droite	1	ALL BIKES
5	YC110-14-042BK	YCF left side plastic BLACK	Plaque laterale gauche YCF NOIRE	1	SM12512/P88s1314/F88L17/F125L1617/F150L17/P1251314/P1501314
6	YC110-14-052BK	YCF Right shroud BLACK	Ouie radiateur droite YCF NOIRE	1	ALL BIKES2015-16(BUT50A/50E)/F88L17/F125L17/F150L17/SM17

7	YC110-14-062BK	YCF Left side shroud BLACK	Ouie radiateur gauche YCF NOIRE	1	ALL BIKES2015-16(BUT50A/50E)/F88L17/F125L17/F150L17/SM17
8	GB845-ST4.8x16-G	Screw for plastic kit ST4.8x16	vis plastique ST4.8x16	9	ALL BIKES2012-17(BUT BIGY)
9	GB5787-M6x20-W	hex. Bolt with flanged M6x20	vis M6x20	2	ALL BIKES2012-17(BUT BIGY)
10	YC110-02-13	Rubber washer $\Phi 6 \times \Phi 14 \times 3$ mm	joint caoutchouc $\Phi 6 \times \Phi 14 \times 3$ mm	2	ALL BIKES2012-17
11	FB5787-M5x12-W	hex. Bolt with flanged M5x12	vis M5x12	2	ALL BIKES2012-17
11	GB96- $\Phi 5$ -W	flat washer $\Phi 5 \times \Phi 12$	rondelle $\Phi 5 \times \Phi 12$	2	ALL BIKES2015-17
12	GB5787-M6x20-B	hex. Bolt with flanged M6x20 BLACK	vis M6x20 NOIR	2	ALL BIKES2015-17
13	GB6177-M6-W	Hex. Flanged nut M6	écrou M6	2	ALL BIKES2015-17
14	YC110-14024	START seat cover	Housse selle START	1	F88s16/F88se1617/F88L17/F125L17/F150L17/F1251617/F125s1617/F125se1617/SM125s1617
16	YC110-03-01	Rubber washer $\Phi 6 \times \Phi 18 \times 4$ mm	joint caoutchouc $\Phi 6 \times \Phi 18 \times 4$ mm	4	ALL BIKES2012-17
16	GB96- $\Phi 6$	flat washer $\phi 6$	rondelle $\phi 6$	4	ALL BIKES2012-17

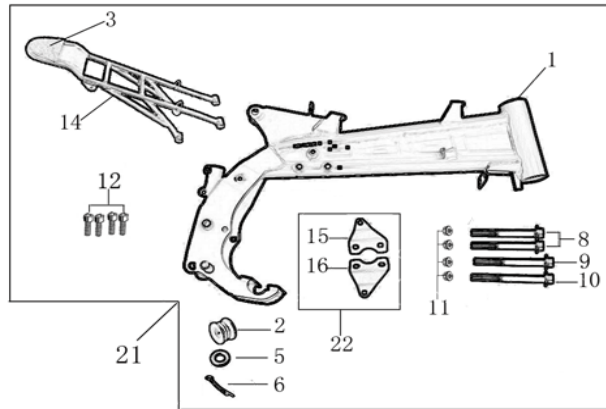
ELECTRIC



N	Ref.	Description	Français	Qty/ Bike	MODEL
1	YC110-1501-11	Wire harness Waterproof 2017	Faisceaux électrique ETANCHE 2017	1	F88L17/F125L17/F125s17/P12517/F150L17/P15017/SP117/SP217/SM17/BI GY125MX17/150MX17/F150MX17
2	YC110-1503	CDI Ignitor assy.125cc	CDI 125cc	1	F125L1617/F150L17/F12512-16/F125s12-17/F125se15-17/P12513-15/P15013-17/SM12-17/SP112-17/SP212-17
3	YC110-1501-03	Ignitor rubber	caoutchouc cdi	1	ALL BIKES2012-17 (BUT50A/SP3/BI GYFD190MX)
4	YC110-1504-05	Ignitor coil L=160mm	bobine haute tension L=160mm	1	F88s13-16/F88se15-17/F88L17/F125L1617/F150L17

5	GB5787-M6×20	Hex. Bolt with flanged M6x20	vis M6x20	1	ALL BIKES2013-17(BUT50A/SP3)
6	YC110-1505	anti interference red	anti parasite rouge	1	ALL BIKES2012-2017 (BUT50A/50E/SP3 /BIGYFD190MX)
7	YC110-1504	Ignitor coil	bobine haute tension	1	ALL BIKES2012-2017 (BUT50A/50E/SP3 /BIGYFD190MX)

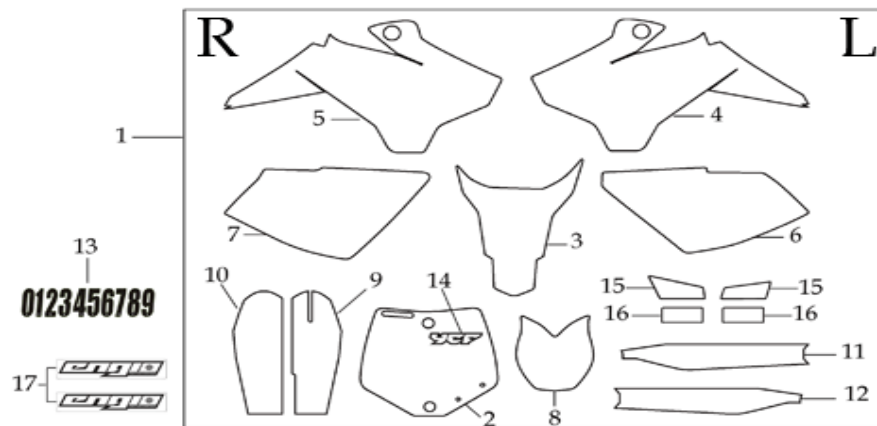
Frame



N	Ref.	Description	Français	Qty/ Bike	MODEL
1	YC88-172-05-WH	Frame WHITE LITE 2017	Cadre LITE 2017 BLANC	1	LITE 2017
2	YC110-2201	YCF Chain tensioner component	roulette chaine YCF	1	ALL BIKES2011-17 (BUT50A)
3	YC110-0700-11	Tail cover sponge	Mousse Boucle arriere	1	ALL BIKES2014-16(BUT50A/SP3)/ALL BIKES2017 (BUT50A/SP/BIGY)
5	GB97-Φ10-W	Flat washer φ10x17x2	rondelle φ10x17x2	1	ALL BIKES2014-17 (BUT50A)
6	GB91-Φ2×25-W	cotter pin φ2.0×25	goupille φ2.0×25	1	ALL BIKES2012-17 (BUT50A)
8	GB5787-M8×70-W	Hex. Bolt with flanger M8x70	vis M8x70	2	F125L1617/F12513-16/F125s13-17/F125se13-17/SM125s13-17/F150L17
9	GB5787-M8×110-W	Hex. Bolt with flanger face M8X110	vis m8x110	1	F88s13-16/F88se15-17/F125L1617/F12513-16/F125s13-17/F125se15-17/F88s13-15/P12513-17/P1513-17/F150L17/P15013-17/SM13-17
9	GB5787-M8×105-W	Hex. Bolt with flanger M8x105	vis M8x105	1	F125L1617/F12513-16/F125s13-17/F125se15-17/SM125s13-17/F150L17/SP13-17
10	GB6187-M8-W	Self locking nut M8	ecrou M8	2	ALL BIKES
12	GB70-M8×20	Hex. Bolt M8X20	vis M8x20	2	F88s13-16/F88se15-17/F125L1617/F12513-16/F125s13-17/F125se15-17/F150L17/SP13-17/SM125s13-17

12	GB70-M8x25	Hex. Bolt with flanger M8x25	vis boucle arriere M8x25	2	F125L1617/F12513-17/F125s13-17/F125se15-17/F88s13-15/P12513-17/F150L17/P15013-17/SM13-17
14	YC110-1614-14-BK	Rear frame part Steel F125 LITE 2017	Boucle arriere F125 LITE 2017	1	F125L17/F150L17
15	YC88-16-030-BK	frame engine pads left START F88s BLACK	patte de cadre gauche START F88s NOIRE	1	F88s12-16/F88L17/F125L1617/F150L17
16	YC88-16-040-BK	frame engine pads right START F88s BLACK	patte de cadre droite START F88s NOIRE	1	F88s13-16/F88se15-17/F88L17/F125L1617/F150L17
21	YC110-161-02-WH	Reinforced frame for cantilever swing arm LITE F125 2017	Cadre renforce lite pour bras cantilever LITE F125 2017	1	F125L17/F150L17
22	YC110-16-063-BK	set of engine pads START F88s BLACK	jeu de patte de cadre START F88s NOIRE	1	8811/F88s13-16/F88L17/F125L1617/F150L17
	YC88-172-01	Cradle Aluminum alloy	plaque renfort aluminium 88	1	F88s12-16/F88se15-17/F88L17/F125L1617/F150L17
	GB70.2-M8x25	screw M8x25	vis M8x25	4	F88s12-16/F88se15-17/F88L17/F125L1617/F150L17

GRAPHICS



N	Ref.	Description	Français	Qty/ Bike	MODEL
1	KDF125L2017	Complete graphic kit F125 LITE 2017	Kit deco complet F125 LITE 2017	1	F125L17
2	YC110-34-0111	Front plate graphic LITE 2017	Sticker Plaque avant LITE 2017	1	F88L17/F125L17/ F150L17
3	YC110-34-0211	Rear mudguard graphic LITE 2017	Sticker GB Arriere LITE 2017	1	F88L17/F125L17/ F150L17

4	YC110-34-0312	Left shrouder graphic F125 LITE 2017	Sticker Ouie gauche radiateur F125 LITE 2017	1	F125L17
5	YC110-34-0412	Right shrouder graphic F125 LITE 2017	Sticker Ouie droite radiateur F125 LITE 2017	1	F125L17
6	YC110-34-0512	Left side plate graphic F125 LITE 2017	Sticker Plaque laterales gauche F125 LITE 2017	1	F125L17
7	YC110-34-0612	Right side plate graphic F125 LITE 2017	Sticker Plaque laterales droite F125 LITE 2017	1	F125L17
8	YC110-34-0711	LITE front fender Front fender graphic 2017	Sticker GB Avant LITE 2017	1	F88L17/F125L17/ F150L17
16	KDMINE-01-WH	Minerva Sticker left 2017 WHITE	Sticker Minerva gauche 2017 BLANC	1	SM125s17/LITE2017
16	KDMINE-02-WH	Minerva Sticker right 2017 WHITE	Sticker Minerva droit 2017 BLANC	1	SM125s17/LITE2017
	YC110-1909	Sticker FACTORY Shock Absorber	Autocollant FACTORY Amortisseur	1	ALL BIKES2013-17 (BUT50A/SP3/BIGYP D190MX)
	YC110-1910	GAS TANK STICKER	STICKER RESERVOIR	1	ALL BIKES2013-17(BUT50A/BIGY)
	YC110-1901	Sticker Chain	Autocollant Chaine	1	ALL BIKES2013-17
	YC110-1902	Sticker Tire	Autocollant Pression Pneu	1	ALL BIKES2013-17
	YC110-1903	Sticker Warning OIL Level	Autocollant Attention Niveau Huile	1	ALL BIKES2013-17
	YC110-1904	Sticker Rear Mudguard 70×57mm	Autocollant garde boue arriere 70×57mm	1	ALL BIKES2013-17(BUT50A)
	YC110-1905	Sticker CE	Autocollant CE	1	ALL BIKES2013-17
	YC110-1906	Warning sticker	Sticker Attention	1	ALL BIKES2013-17
	YC110-1907	Warning Sticker Transport	Sticker Caisse Avertissement Transport	1	ALL BIKES2013-17
	YC110-1908	Warning Sticker Shosk Absorber	Sticker Avertissement Amortisseur	1	ALL BIKES2013-17
ENGINES					
	MOTEUR-125ZF	ENGINE ZF 125	MOTEUR ZF 125	1	F125L17

17311/152FMIFA56-2	Inlet Pipe,Pro R-START 125 2012	PIPE ADMISSION R-START 125 2012	1	F125L1617/F12513-16/F125s13-17/F125se15-17/P12513-16/F150L17/P15013-16/SM12513-17
17332	carburettor paper gasket Φ28	joint papier carburateur Φ28	1	ALL BIKES2015-17 (BUT50A/SP3190)
17332/152FMH01	Intake Gasket	JT PAPIER PIPE ADMISSION	1	ALL BIKES2015-17 (BUT50A/SP3190)
F00C039	carburettor isolating gasket Φ27.5	joint plastique carburateur Φ27.5	1	ALL BIKES2015-17 (BUT50A/SP3190)
RCSC-BK	Right crankcase small Cover 88/125 2014 BLACK	DEMI CARTER EMBRAYAGE NOIR 88/125	1	F88s14-16/F88se15-17/F12514-16/F125s14-17/F125se15-17/P88s1415/P12514-17/SM125s14-17
43451/152FMH	STARTER KICK SMALL HOLE	KICK PETIT DIAMETRE	1	F88s13-16/F88se15-17/F12513-17/F125s13-17/F125se15-17/SM125s13-17
24700/152FMH	Gearshift Pedal	SELECTEUR	1	F88se15-17/F125L17/F12513-16/F125se15-17/P12513-17/P15013-17/SM15013-17/SP13-17
KIT CARBU				
MOLKT24	Carburetor MOLKT24 with main jet 88 and slow jet 35	Carburateur MOLKT24 GICLEUR 88 GICLEUR 35	1	F125L1617/F150L17
CARTONS - CAISSES MOTOS				
YC110-CARTON-RS	BIKE BOX R START 1470×380×820mm	CARTON EMBALLAGE MOTO R START	1	F88s13-16/F125L17/F12512-16/F125s12-17/P88s13-15/P12513-14/SM125s13-17
YC110-FOAMBOX	Foam box 2014 420×340×160mm	Cale PS	1	ALL BKIES2014-17
YC110-FILM	Protective film for seat 600×600×0.02mm	Protection plastique Selle	1	ALL BKIES2014-17
CATALOGUES - FICHES MOTOS - FICHES STICKER				
YC110-0700-01	Accessory tools	Trousse a outils	1	ALL BIKES2013-17
YC110-0700-0201	Owner manual 2015	Manuel Utilisation 2015	1	ALL BIKES2013-17
YC110-0700-0401	Vin Plate 2015	Plaque Vin 2015	1	ALL BIKES2013-17

	YC110-0700-03	A4 sheet assy	Fiche A4	1	ALL BIKES2013-17
--	---------------	---------------	----------	---	------------------

2017

