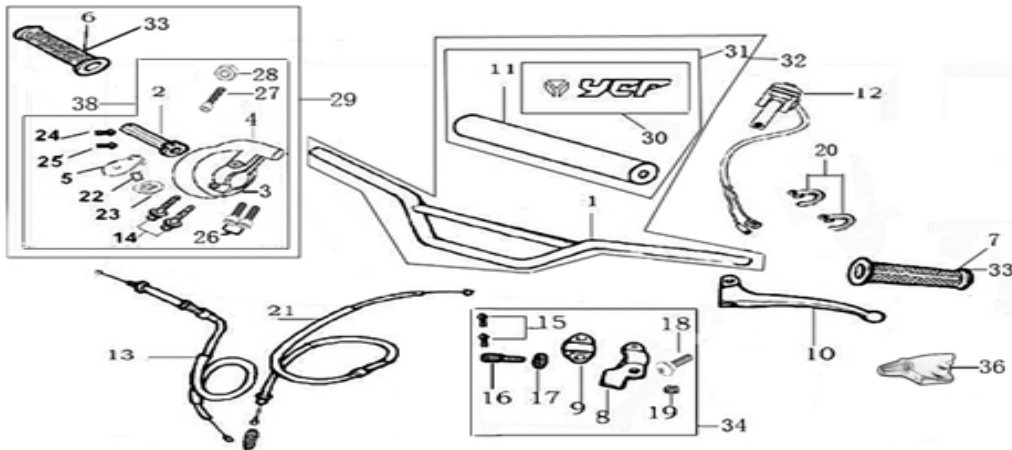




Handle bar assembly

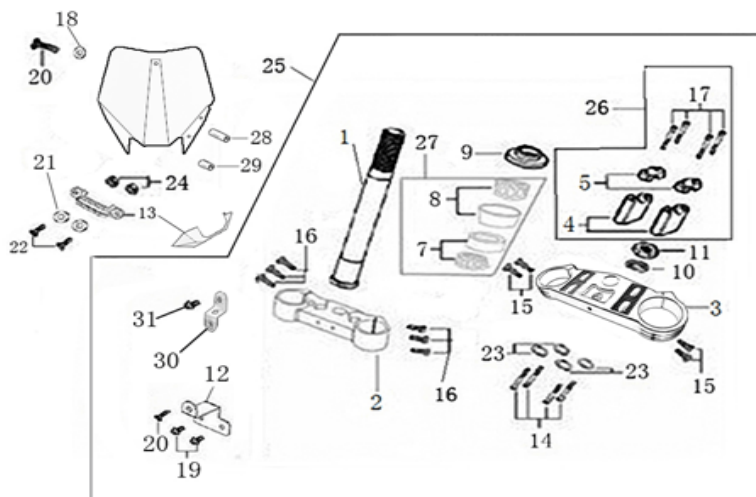


N°	Ref.	Description	Français	Qty/ Bike	MODEL
1	YC110-0101-07-BK	Aluminium Handle Bar with bar "LOW" shape L=740mm BLACK	Guidon aluminium avec Barre "BAS" L=740mm NOIR	1	SM15012-17/SP112-17/SP212-17 /SP312-15
2	YC110-01021-01	YCF Throttle Body 2012 BLACK	plastique poignée de gaz YCF 2012 NOIR	1	ALL BIKES 2012-2017
3	YC110-01021-05	Lower Throttle Body Housing 2014	dessous poignée gaz 2014	1	P15014-117/SM15014-17/SP114-17/SP214-17/SP314-17
4	YC110-01021-03	Upper Throttle Body Housing YCF 2012	dessus poignée gaz YCF 2012	1	ALL BIKES 2012-2017
5	YC110-01021-02	Upper Throttle Body Housing Cover YCF 2012	plastique du dessus poignée gaz YCF 2012	1	ALL BIKES 2012-2017
6	YC110-01-01-GY	YCF Right Grip GREY	poignée caoutchouc droite YCF GRISE	1	ALL BIKES 2012-2017
7	YC110-01-02-GY	YCF Left Grip GREY	poignée caoutchouc gauche YCF GRISE	1	ALL BIKES 2012-2017
8	YC110-0108-05	Clutch upper bracket 2014 SILVER	cocotte basse embrayage 2014 SILVER	1	F125L1617/F150L17/F12514-17/P12514-17/P15014-17/SM15014-17/SP114-17/SP214-17/SP314-17
9	YC110-0109-05	Clutch lower bracket 2014 SILVER	demi cocotte embrayage 2014 SILVER	1	F125L1617/F150L17/F12514-17/P12514-17/P15014-17/SM15014-17/SP114-17/SP214-17/SP314-17

	FB13-8×10×8-Cu	Clutch lever bushing $\Phi 8 \times \Phi 10 \times 8.1$ mm copper	entretoise levier embrayage $\Phi 8 \times \Phi 10 \times 8.1$ mm	1	F125L1617/F150L17/F12514-17/P12514-17/P15014-17/SM15014-17/SP114-17/SP214-17/SP314-17
10	YC110-0103-03	Clutch lever 2014 (with FB13- $\Phi 8 \times \Phi 10 \times 6$ -Cu 1EA+FB13- $\Phi 8 \times \Phi 10 \times 8$ -Cu 1EA)	levier embrayage 2014	1	F125L1617/F150L17/F12514-17/P12514-17/P15014-17/SM15014-17/SP114-17/SP214-17/SP314-17
11	YC110-0116	Bar pad for Aluminium Handlebar with Bar L=195mm	Mousse guidon pour guidon alu avec barre L=195mm	1	SM15013-17/SP113-17/SP213-17/SP313-17
12	YC110-0105-11	Kill Switch ON/OFF Waterproof 2017	Coupe circuit on off ETANCHE 2017	1	ALL BIKES2017 (BUT50A/50E/SP3/FD190MX)
13	YC110-0106	Throttle Cable L=840mm A+B=125	Cable gaz L=840mm A+B=125	1	ALL BIKES2012-2017(BUT50/F88s/F88se/LITE)
	YC110-0143-01	Rubber for throttle cable	Caoutchouc pour cable de gas	1	ALL BIKES2017 (BUT50E)
14	GB5787-M6×22-G	Hex. Bolt with Flanged Face M6X22	vis M6X22	2	ALL BIKES2012-17(BUT50A)
15	GB5787-M6×20-G	Hex. Bolt with Flanged Face M6X20	vis M6X20	2	F125L1617/F12512-16/P12514-17/P15014-17/SM15012-17/SP112-17/SP212-17/SP312-17
16	YC110-0103-04	Clutch Adjust bolt M7×18mm	Tendeur cocotte embrayage M7×18mm	1	F125L1617/F12512-16/P12514-17/P15014-17/SM15012-17/SP112-17/SP212-17/SP312-17
17	YC110-0117	Clutch Tight Nut M7	ecrou cocotte embrayage M7	1	F125L1617/F12512-16/P12514-17/P15014-17/SM15012-17/SP112-17/SP212-17/SP312-17
18	27-06022B	Clutch Stepped bolt M6X22	vis cloche embrayage M6X22	1	F125L1617/F12512-16/P12514-17/P15014-17/SM15012-17/SP112-17/SP212-17/SP312-17
19	6183-06000B	Clutch Self-lock Nut M6	ecrou cloche embrayage M6	1	F125L1617/F12512-16/P12514-17/P15014-17/SM15012-17/SP112-17/SP212-17/SP312-17
20	YC110-01-03-BK	Tape 150mm BLACK	colier maintien cable 150mm NOIR	2	ALL BIKES
20	YC110-01-03-WH	Tape 150mm WHITE	colier maintien cable 150mm BLANC	2	ALL BIKES
20	YC110-01-05-BK	Tape 350mm BLACK	colier maintien cable 350mm NOIR	5	ALL BIKES
21	YC110-0108	Clutch Cable Assy. L=900mm A+B=65mm	cable embrayage L=900mm A+B=65mm	1	C1112/SM15011-17/SP114-17
22	YC110-0102-08	YCF Throttle cable Bearing $\Phi 8 \times \Phi 16 \times 5$ mm	Roulement poignee gas YCF $\Phi 8 \times \Phi 16 \times 5$ mm	1	ALL BIKES2012-2017
23	YC110-0102-07	YCF Throttle cable guide pulley plastic $\Phi 12 \times \Phi 16 \times \Phi 28 \times 8$ mm	Roulette plastique Poignee Gas YCF $\Phi 12 \times \Phi 16 \times \Phi 28 \times 8$ mm	1	ALL BIKES2012-2017
24	GB819-M4×12	Plus screw M4×12	vis M4×12	1	ALL BIKES2012-2017
25	GB819-M4×20	Plus screw M4×20	vis M4×20	1	ALL BIKES2012-2017

26	GB70-M6x20-B	Hex. Bolt M6x20 BLACK	vis M6x20 NOIR	2	ALL BIKES2012-2017
27	GB70-M5x12	Hex. Bolt M5x12	vis M5x12	1	ALL BIKES2012-2017(BUT50A)
30	YC110-012024-BK	PVC for Bar Pad suitable Aluminium Handlebar with Bar 185mmx178mm 2013 BLACK	PVC mousse guidon Aluminium avec Barre 185mmx178mm 2013 NOIR	1	SP113-17/ SP213-17 / SP313-15 / SM15013-17
31	YC110-0133-BK	Complete Bar Pad for Aluminium Handlebar with Bar L=195mm 2013 BLACK	Mousse guidon complete pour guidon Aluminium avec Barre L=195mm 2013 NOIR	1	SP113-17/ SP213-17 / SP313-15 / SM15013-17
32	GALOWBK	Complete Aluminium Handle Bar, "LOW" shape Black L=740mm SPI / SPII / SPIII / SM150 2013	Guidon aluminium "BAS" complet avec Mousse et Pvc L=740mm SPI / SPII / SPIII / SM150 2013	1	SP113-17/ SP213-17 / SP313-15 / SM15013-17
33	PPC010-GY	YCF set of grip GREY	Paire de poignée caoutchouc YCF GRISE	1	ALL BIKES2012-2017
34	YC110-0126-01	Clutch bracket Assy. 2014 SILVER	Cocotte embrayage complete 2014 SILVER	1	F125L1617/F12514-17/P12514-17/P15014-17/SM15014-17/SP114-17/SP214-17/SP314-17
35	YC110-0134-02	Cnc adjustable bracket with lever 2014 SILVER	Cocotte CNC réglage rapide avec levier embrayage 2014 SILVER	1	F125L1617/F12514-17/P12514-17/P15014-17/SM15014-17/SP114-17/SP214-17/SP314-17
36	YC110-0103-10	rubber on clutch lever	caoutchouc levier embrayage	1	F125L1617/F12514-17/P12514-17/P15014-17/SM15014-17/SP114-17/SP214-17/SP314-17
38	YC110-01022-N	YCF Throttle Assy. 2014 without grip (with YC110-0102-08 1EA)	Poignée gaz réglable YCF 2014 nue	1	P1251617/P15014-17/SM15014-17/SP114-17/SP214-17/SP314-17

Steering stem assembly

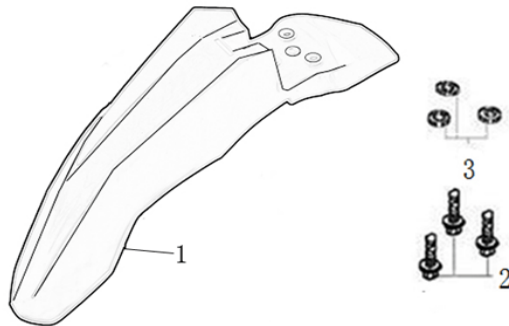


N	Ref.	Description	Français	Qty/ Bike	MODEL
1	YC110-0201-03	Steering stem 233 mm	tige colonne direction 233 mm	1	ALL BIKES2012-17(BUT50A/F88s/F88se/LITE)

2	YC110-0202-39-BK	Lower triple clamp 160 mm ϕ 48mm 2014 MATT BLACK	té fourche inferieur 160 mm ϕ 48mm NOIR MAT	1	F88s14-16/F88se15-17/F12514-16/F125s14-17/F125se15-17/SM125s14-17/SM15015-17/SP114-17/BIGY125MX17/150MX17
3	YC110-0201-39-BK	Top Triple Clamp160mm ϕ 45mm 2014 (not adjustable)MATT BLACK	té fourche supérieur 160 mm ϕ 45mm (non ajustable) 2014 NOIR MAT	1	F88s14-16/F88se15-17/F12514-17/F125s14-17/F125se15-17/SM125s14-17/SM15015-17/SP114-17/BIGY125MX17/150MX17
4	YC110-0203-23	Lower Bar Mount CNC START type, not adjustable ϕ 22.2 / height 55 mm BLACK	Pontet guidon inférieur non ajustable type START ϕ 22.2 / hauteur 55 mm NOIR	2	ALL BIKES2012-2017(BUT50A/SP)
5	YC110-0202-04	Top Bar Mout CNC ϕ 22.2 mm/height 18mm START Type BLACK	pontet guidon supérieur ϕ 22.2 mm Type START NOIR	2	ALL BIKES2013-17 (BUTSP3/BIGYFD190MX)
6	YC110-0212-07RD	Front Number Plate 2014 RED	PLAQUE AVANT 2014 ROUGE	1	P15017/SM15017
7	297-46/23.5	Lower Taper roller bearing 46/23.5	roulement inférieur 46/23.5	1	ALL BIKES2012-17(BUT50A/F88s/F88se/LITE)
8	297-46/22	Top Taper roller bearing 46/22	roulement supérieur 46/22	1	ALL BIKES2012-17(BUT50A/F88s/F88se/LITE)
9	YC110-02-09	Top nut for steering ϕ 52	écrou crantellé colonne direction ϕ 52	1	ALL BIKES2012-2017
10	YC110-02-10	Washer for steering stem nut ϕ 22.5 \times ϕ 36 \times 0.7	joint colonne direction ϕ 22.5 \times ϕ 36 \times 0.7	3	ALL BIKES2012-2017
11	YC110-02-11	Nut for steering stem M22	écrou supérieur colnne direction M22	1	ALL BIKES2012-2017
13	YC110-0214-01-WH	Break Line Retainer 2014 White (with GB9074.5-M4 \times 10-W 1EA)	guide durite sur plaque avant 2014 Blanc	1	ALL BIKES2014-2016(BUT50A/F88s/F88se/F88s/F125L)/ALL BIKES 2017 (BUT50A/F88s/F88se/P88s/F88L)
14	GB70-M8 \times 30	Stud screw M8X30	vis M8X30	4	ALL BIKES2012-17 (BUT50A)
15	GB70-M6 \times 25	Stud screw M6X25	vis M6X25	4	ALL BIKES2012-17 (BUT50A)
16	GB70-M6 \times 25	Stud screw M6X25	vis M6X25	4	ALL BIKES2012-17 (BUT50A)
17	GB70-M8 \times 25	Stud screw M8X25	vis M8X25	4	ALL BIKES2012-16 (BUT50A)
18	GB97- ϕ 6-W	flat washer ϕ 6	rondelle ϕ 6	1	ALL BIKES 2012-17
19	GB5787-M6 \times 16-W	Hex. Bolt with Flanged Face M6X16	vis M6X16	2	ALL BIKES2012-2017
21	GB97- ϕ 4-W	flat washer ϕ 4	rondelle ϕ 4	1	ALL BIKES2012-17

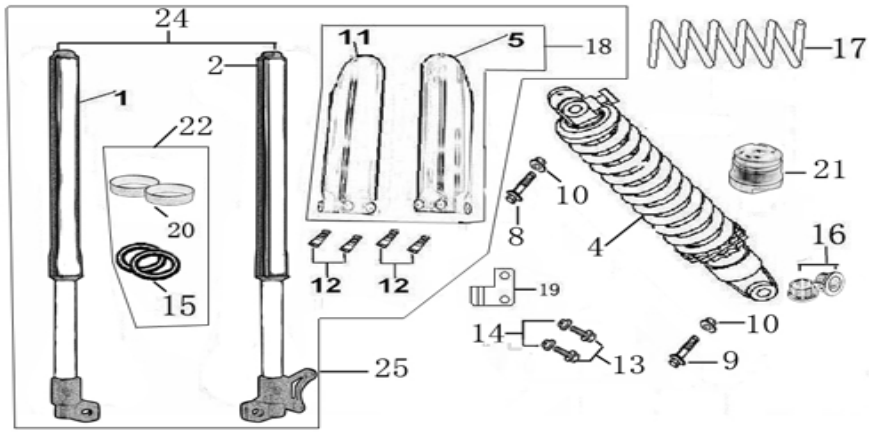
22	GB818-M4×10-W	Plus screw M4×10	vis M4×10	1	ALL BIKES2012-17
23	GB93-Φ8-W	Spring washer Φ8mm	rondelle Φ8mm	4	ALL BIKES2012-17
25	YC110-02-041-BK	Complete Triple Clamp (TOP45 / BOTTOM 48) START Type 2014 MATT BLACK	Te Fourche Complet (TE SUP. 45 / TE INF.48 Type START 2014 NOIR MAT	1	F12514-16/F125s14-17/F125se15-17/SM125s14-17/SM15015-17/BIGY125MX17/BIGY150MX17
26	YC110-0203-05	Set of Bar mount not adjustable φ22.2mm/bottom 55mm START Type BLACK (with GB70-M8×25 4EA+GB70-M8×30 4EA+GB93-Φ8-W 4EA)	jeu pontet guidon non ajustable φ 22.2mm / pontet bas 55mm Type START NOIR	1	ALL BIKES2012-2017(BUT50A/SP)
27	KRDIRECTION46	set of bearing for steering 46/23.5、 46/22	kit rlt colonne direction 46/23.5、 46/22	1	ALL BIKES2012-17(BUT50CC/F88s/F88se /F125L)
30	YC110-0213-08	Number plate bracket 2014	support plaque avant 2014	1	ALL BIKES2014-2017(BUT50A/F88s/F88se /P88s/LITE)
31	GB5787-M6×16-W	Hex. Bolt M6X16	vis M6×16	1	ALL BIKES2012-2017
32	YC110-02-20	Washer for steering stem nut	joint colonne direction	1	ALL BIKES2015-2017 (But50A/F88s/F88se/LITE)

Front Fender



N	Ref.	Description	Français	Qty/ Bike	MODEL
1	YC110-032-01RD	YCF Front Fender 2014 RED	GARDE BOUE AVANT 2014 ROUGE	1	P15017/SM15017
2	GB5787-M6×20-W	Hex. Bolt with flanged M6X20	vis M6X20	3	ALL BIKES
3	GB96-Φ6-W	Washer φ6×φ18mm	Rondelle φ6×φ18mm	3	ALL BIKES
3	YC110-03-01	Rubber washer Φ6×Φ18×4mm	caoutchouc Φ6×Φ18×4mm	3	ALL BIKES

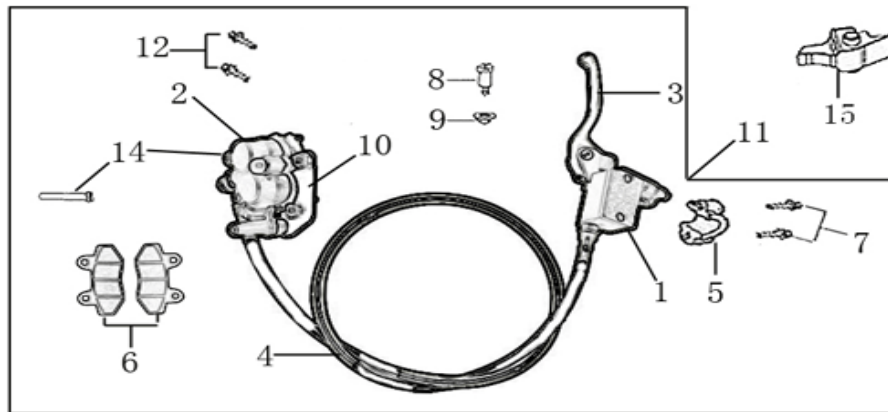
Front & Rear absorber



N	Ref.	Description	Français	Qty/ Bike	MODEL
1	YC110-0401-11	Front right fork 735mm (not adjustable) GREY	Tube fourche droit 735mm GRIS	1	P12515-17/P15013-17/SM15013-17
1	YC110-0402-20	Front left fork 735mm (not adjustable) GREY 2016	Tube fourche gauche 735mm GRIS 2016	1	P1251617/P1501617/SM1501617
4	YC110-0404-17	Shock absorber PILOT 310mm×800lbs YELLOW	Amortisseur PILOT 310mm×800lbs JAUNE	1	P88s13-15/P12513-17/P15013-17/SM15013-17
4	YC110-0422-02	Stick for Shock absorber L=232mm	Tube Acier mou maintient moto dans caisse L=232mm	1	P12515-17/P15013-17/SM15013-17
5	YC110-04-015-BK	YCF Left front fork protection 735mm BLACK	Protection fourche YCF gauche 735 mm NOIR	1	P1251617/P1501617/SM1501617/SP1617
8	GB5787-M12×45-W	Hex. Bolt with flanged M12X45	vis M12X45	1	P88s13-16/P12513-17/P15013-17/SM15013-17/SP113-17/SP213-17/SP313-17
9	GB5787-M12×45-W	Hex. Bolt with flanged M12X45	vis M12X45	1	P88s13-16/P12513-17/P15013-17/SM15013-17/SP113-17/SP213-17/SP313-17
10	GB6187-M12-W	Self-locking Nut M12	écrou M12	2	ALL BIKES2012-2017(BUT50A)
11	YC110-04-024-BK	YCF Right front fork protection 735 mm BLACK	Protection fourche droite YCF 735 mm NOIR	1	P1251617/P1501617/SM1501617/SP1617
12	GB5787-M6×12-W	Plus screw M6X12	vis M6X12	4	P88s13-15/P12513-17/P15013-17/SP13-17/SM15013-17
13	GB5787-M6×16-W	Plus screw M6X16	vis M6X16	2	ALL BIKES2013-17(BUT50A)
14	GB6170-M6-W	Nut M6	ecrou M6	2	P1251617/P1501617/SP1617/SM1501617
16	YC110-0419	shock spacer φ12 mm for mono swing arm	entretoise amortisseur φ 12 mm mono bas et haut identique	2	P88s13-17/P88s15-17/F125L1617/F12512-17/F125s12-17/F125se15-17/P12514-17/P15014-17/SM12

16	YC110-0417-02	shock top spacer ϕ 12 mm for mono swing arm	Entretoise amortisseur ϕ 12 mm mono bas et haut identique	2	P88s13-15/P12513-17/P15013-17/SM15013-17/BIGY125MX17/150MX17
18	PFYCF12-BK	YCF set of fork protection 735mm 2012 black	jeu protection fourche YCF noir	1	P1251617/P1501617/SM1501617/SP1617
19	YC110-0403-05	oil steel line retainer on left front fork 2016	passe durite sur protection fourche gauche 2016	1	P1251617/P1501617/SP1617/SM1501617/BIGY2017
24	YC110-0400-20	Pair of fork 735mm (not adjustable) GREY 2016	Jeu de fourche 735mm GRIS 2016	1	P1251617/P1501617/SM1501617

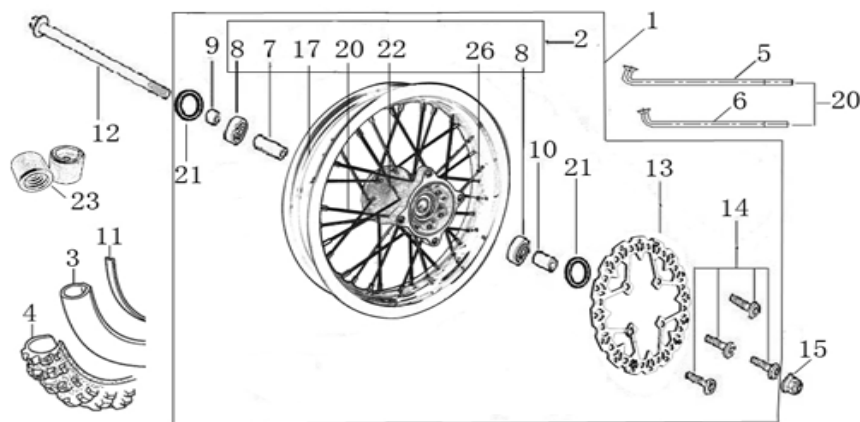
Front Brake Assy



N	Ref.	Description	Français	Qty/ Bike	MODEL
1	YC110-0501-0104	Front Brake Reservoir for 2 pump Φ 10 2016	maitre cylindre frein avant pour étrier 2 pistons Φ 10 2016	1	P1251617/P1501617/SP1617/SM1501617
2	YC110-0501-0205	Front Brake caliper for 2 pump w/ t abestos	étrier frein avant double pistons sans amiante	1	ALL BIKES2012-15 (BUT50A/F88s/F88se) /F12516/F125s1617/F125se1617/P1251617/P1501617/SP11617/SM1617
3	YC110-0501-014	Front brake lever 2014 With notch	LEVIER FREIN 2014	1	ALL BIKES2014-17(BUT50A)
4	YC110-0501-0313	Front brake steel line L=1110mm Φ 10/ Φ 10 BLACK 2016	durite frein avant L=1110mm Φ 10/ Φ 10 NOIR 2016	1	P1251617/P1501617/SM1501617/SP21617
5	YC110-0501-022	Brake perch bracket for double pump	demi cocotte frein avant pour frein double pistons	1	ALL BIKES2012-17(BUT50A)
6	YC110-0501-0403	Front Brake pads for double pump brake with copper substrate	jeu plaquette frein avant pour frein 2 pistons SANS AMIANTE	2	ALL BIKES2012-15 (BUT50A/F88s/F88se) /F12516/F125s1617/F125se1617/P1251617/P1501617/SP11617/SM1617
7	GB5787-M6 \times 22-G	Hex.bolt with flanged M6X22	vis M6X22	2	ALL BIKES2012-17(BUT50A)
8	HB06-M6 \times 25-G	Hex.bolt with flanged M6X25	vis M6X25	1	ALL BIKES2012-17(BUT50A)
9	GB6177-M6-G	Self-locking nut M6	écrou M6	1	ALL BIKES2012-17(BUT50A)

10	YC110-0501-030	Bracket for front brake 2 pumps	patte frein avant etrier 2 pistons	1	ALL BIKES2012-15 (BUT50A/F88s/F88se) /F88L17/F125L1617/F150L17/F12516/F125s1617/F125se1617/P1251617/P1501617/SP11617/SM1617
11	YC110-0501-19	front brake assy 2 pumps L=1110mm Φ 10/10 w/t abestos 2016	kit frein avant 2 pistons avec gaine plastic noire L=1110mm Φ 10/10 sans amiante 2016	1	P1251617/P1501617/SM1501617/SP11617
14	YC110-0555	caliper screw for front brake L=50mm Army green	vis plaquette frein avant L=50mm	2	ALL BIKES2012-15 (BUT50A/F88s/F88se) /F12516/F125s1617/F125se1617/P1251617/P1501617/SP11617/SM1617
15	YC110-0502-01	rubber for brake lever	caoutchouc levier frein avant	1	ALL BIKES2014-17(BUT50A)

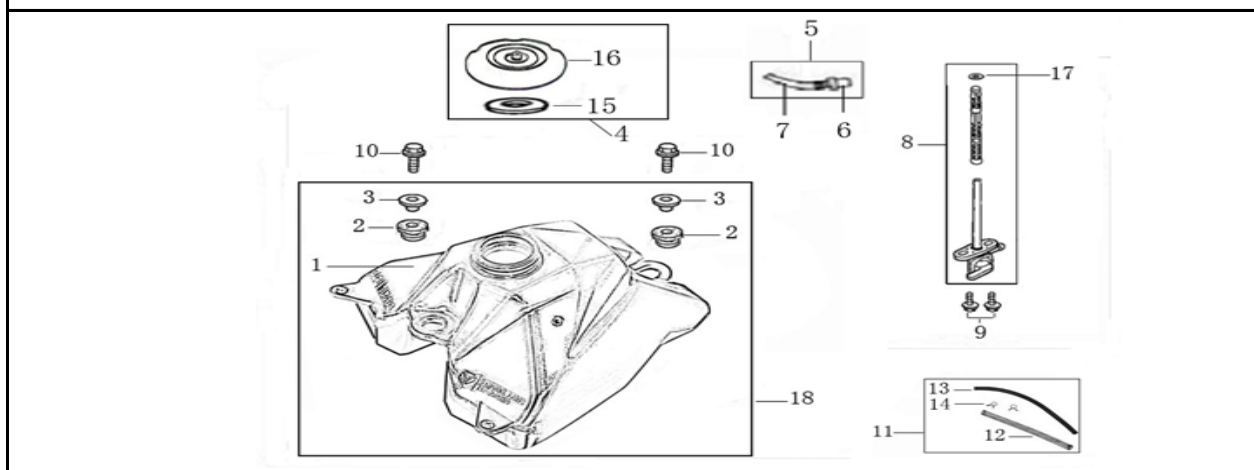
Front Wheel Assy



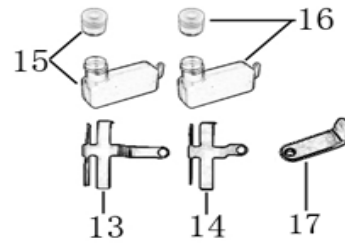
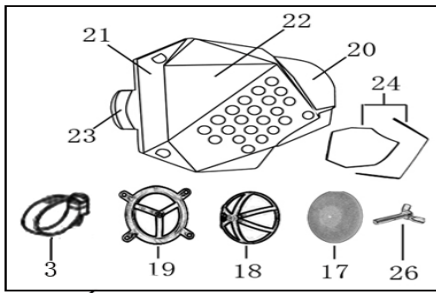
N	Ref.	Description	Français	Qty/ Bike	MODEL
1	YC110-0601-27	Complete STEEL Front wheel 1.85x12' with disk. Casting hub	roue avant complète ACIER 1.85x12' moyeux injecte avec disque	1	SM1617
2	YC110-0602-21	Complete STEEL Front wheel 1.85x12' without disk. Casting hub	roue avant complète ACIER 1.85x12' moyeux injecte sans disque	1	SM12-17
3	CHAMBRE12	Tube for front tire 3.00-12 GL	chambre air 12' standard GL	1	SM12-17
	FB6170-M8-Cr	Tire valve nut M8	Ecrou M8 pour Chambre a air	1	ALL BIKES
4	100/90-12	YCF Front tyre 100/90/12	YCF pneu 100/90/12	1	SM15-17
7	YC110-0601-02	Front axle bushing Φ 16x Φ 22x44	entretoise central roue avant Φ 16x Φ 22x44	1	ALL BIKES2013-15(BUT50A)/ALL BIKES2017(BUT50A/SP2/SP3)
8	96140-6202-2Z	Ball bearing 6202-2Z Φ 35x Φ 15x11	roulement roue 6202-2Z Φ 35x Φ 15x11	2	ALL BIKES2012-2015 (BUT50A) /ALL BIKES2016-17 (BUT50A/SP2/SP3)

9	YC110-06-047	Front wheel spacer right $\phi 15 \times \Phi 22 \times 23$ mm with STEP 2015	entretoise roue avant droite $\phi 15 \times \Phi 22 \times 23$ mm	1	ALL BIKES2015(BUT50A)/ALL BIKES2016-17 (BUT50A/SP2/SP3/LITE)
10	YC110-06-052	Front wheel spacer left $\phi 15 \times \Phi 22 \times 33$ mm	entretoise roue avant gauche $\phi 15 \times \Phi 22 \times 33$ mm	1	ALL BIKES2012-2015 (BUT50A)/ALL BIKES2016-17(BUT50A/SP2/SP3)
11	YC110-11-01	tire lining 12"	fond jante 12'	1	F88s12-15/SM12-17
12	YC110-06-062	Front Axle L=215 mm with holes with Self-locking nut M14 for SM bikes	axe de roue avant L=215mm perces avec ecrou M14 pour supermoto	1	SM13-17
13	YC110-0513-02	Front disk $\phi 220$ mm 2016	disque frein avant $\phi 220$ mm 2016	1	ALL BIKES 2016-17(BUT50A/F88s/F88se/F88L)
14	GB70.2-M8x16	Screw for disk M8X16	vis disque frein M8X16	4	ALL BIKES2016-17 (BUT50A)
15	GB6187-M14-W	Self-locking nut M14	écrou roue avant M14	1	ALL BIKES2012-17(BUT50A)
17	YC110-0617-21	STEEL Rim for Front wheel 1.85x12	cerceau roue av1.85x12' ACIER	1	SM12-17
20	JR12-12.5	set of front spoke 12' (120mmx16+122mmx16)	Jeu rayon avant 12' (120mmx16+122mmx16)	1	SM12-17
21	YC110-0611	OIL SEAL $\phi 22 \times 35 \times 5$	joint spy roue $\phi 22 \times 35 \times 5$	2	ALL BIKES2013-17(BUT50A)
22	YC110-0622-02	Front hub casting with oil seal	moyeux avant injectée avec joint spy	1	ALL BIKES2012-15 (BUT50A/SPII/SPIII)/ALL BIKES 2016-17(BUT50A/SP/BIGY)
23	YC110-30	Teflon SM	Tampon teflon pour axe avant / arriere SM	2	SM10-17
	GB5787-M6x25-W	Hex. Bolt with Flanged M6X25	vis M6x25	2	SM10-17

Fuel Tank



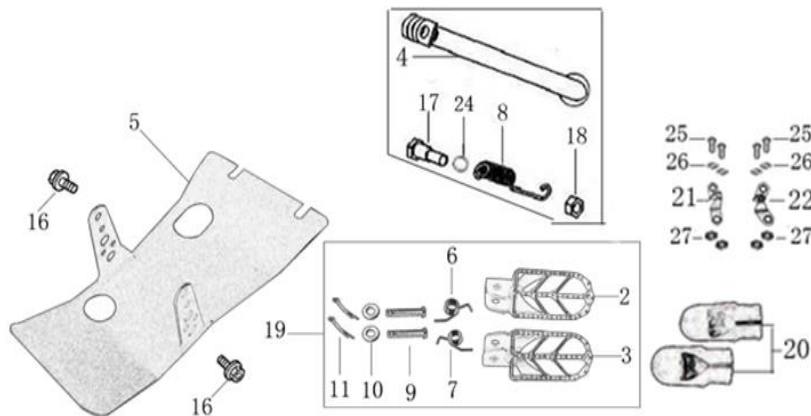
N	Ref.	Description	Français	Qty/ Bike	MODEL
1	YC110-0701-01	YCF Fuel tank with YC110-1910 1EA (suitable for pre 2013 bikes)	Reservoir YCF (Adaptable pour motos avant 2013)	1	ALL BIKES2013-17 (BUT50A)
2	YC110-07-01	Cushion for fuel tank	caoutchouc pour reservoir	2	ALL BIKES2011-17
3	YC110-07-02	Washer for fuel tank $\Phi 12 \times \Phi 30 \times 11$ mm	entretoise pour reservoir $\Phi 12 \times \Phi 30 \times 11$ mm	2	ALL BIKES2011-17
4	YC110-0702-01	YCF Tank cap plastic 2013	Bouchon reservoir plastique YCF 2013	1	ALL BIKES2013-17
5	YC125-0704-BK	Fuel tank valve BLACK	Valve prise air NOIR	1	ALL BIKES
6	YC110-0704-BK	Cap of Fuel tank valve BLACK	Capuchon Valve prise air NOIR	1	ALL BIKES
7	YC110-0705-BK	Fuel tank valve Hose L=40mm BLACK	Durite caoutchouc Vale prise air L=40mm NOIRE	1	ALL BIKES
8	YC110-0703	Fuel cock assy.	robinet essence	1	ALL BIKES
9	GB5787-M6×16-W	Hex. Bolt with flanged M6X16	vis M6X16	2	ALL BIKES
10	GB5787-M8×30-B	screw M8X30 BLACK	vis M8x30 NOIR	2	P88s13-15/P12513-17/P15013-17/SM15013-17/SP13-17
11	YC110-0706	fuel tank rubber line + spring $\Phi 4.5 \times \Phi 8.5 \times 210$ mm	durite reservoir avec ressort $\Phi 4.5 \times \Phi 8.5 \times 210$ mm	1	ALL BIKES
12	YC110-07061	fuel tank lspring L=180mm	ressort durite reservoir L=180mm	1	ALL BIKES
13	YC110-07062	fuel tank rubber line $\Phi 4.5 \times \Phi 8.5 \times 210$	durite reservoir $\Phi 4.5 \times \Phi 8.5 \times 210$	1	ALL BIKES
14	YC110-07063	Holding ring	collier FILTRE	2	ALL BIKES
15	YC110-0720-02	Rubber mat for tank cap plastic $\Phi 14 \times \Phi 52 \times 2$ mm Oil proof	Caoutchouc bouchon reservoir YCF $\Phi 14 \times \Phi 52 \times 2$ mm	1	ALL BIKES2013-17
17	YC110-0717	O-RING, $\Phi 11 \times 3$ mm For Fuel tank	Joint Thorique $\Phi 11 \times 3$ mm pour Reservoir	1	ALL BIKES2013-17 (BUT50A/50E)
18	YC110-0718	YCF Complete fuel tank suitable for pre 2013 bikes (with YC110-07-01 2EA+YC110-07-02 2EA+YC110-1910 1EA)	Reservoir complet YCF 2013 (Adaptable pour motos avant 2013)	1	ALL BIKES2013-17 (BUT50A/50E)
Air Filter					



N	Ref.	Description	Français	Qty/ Bike	MODEL
1	YC110-0801-07	Air box assy Pilot 2015	Boite a air complete Pilot 2015	1	P1251617/P1501617/ SM1501617
3	YC110-0805	Holding ring $\varnothing 27-\varnothing 51\text{mm}$	collier Filtre $\varnothing 27-\varnothing 51\text{mm}$	1	F88s12-16/F88se15- 17/F88L17/F125L17/ F12512-16/F125s12- 17/F125se15-17/SP12
17	YC110-08-011	YCF Air filter Foam	Mousse filtre a air YCF	1	P1251617/P1501617/ SP12- 17/SM1501617/BIGY 2017
18	YC110-08-012	Top support for YCF air filter foam	support exterieur pour mousse filtre a air YCF	1	P1251617/P1501617/ SP12- 17/SM1501617/BIGY 2017
19	YC110-08-013	Inside support for YCF air filter foam	support interieur pour mousse filtre a air YCF	1	P1251617/P1501617/ SP12- 17/SM1501617/BIGY 2017
20	YC110-0820-02	Rear part of Pilot 2015 air box	Boitie arriere boite a air Pilot 2015	1	P1251617/P150161 7/SM1501617
21	YC110-0821-02	Front case of Pilot 2015 air box	Boitie avant boite a air Pilot 2015	1	P1251617/P150161 7/SM1501617
22	YC110-0822-02	Cover with logo of Pilot 2015 air box	Couvercle cote boite a air YCF avec logo Pilot 2015	1	P1251617/P150161 7/SM1501617
23	YC110-08-0174	Rubber link between air box and carb for PILOT 2016 air box $\Phi 40\text{mm}$	manchon boite a air PILOT 2016 $\varnothing 40\text{ mm}$	1	P1251617/SM1501 617
25	YC110-0825-01	support of Air box PILOT 2015	Support Boit a Air Pilot	1	P1251617/P150161 7/SM1501617
26	GB62-M6 \times 30-W	Butterfly screw M6 \times 30	vis M6 \times 30	1	P1251617/P1501617/SM1 501617/SP13- 17/BIGY2017
13	YC110-83	The carburetor YouHu stents	PATTE DE RECUPERATEUR ESSENCE	1	SM12-17
14	YC110-84	The engine YouHu stents	PATTE DE RECUPERATEUR HUILE	1	SM12-17
14	YC110-86	The engine YouHu stents	PATTE DE RECUPERATEUR HUILE	1	SM15014-17

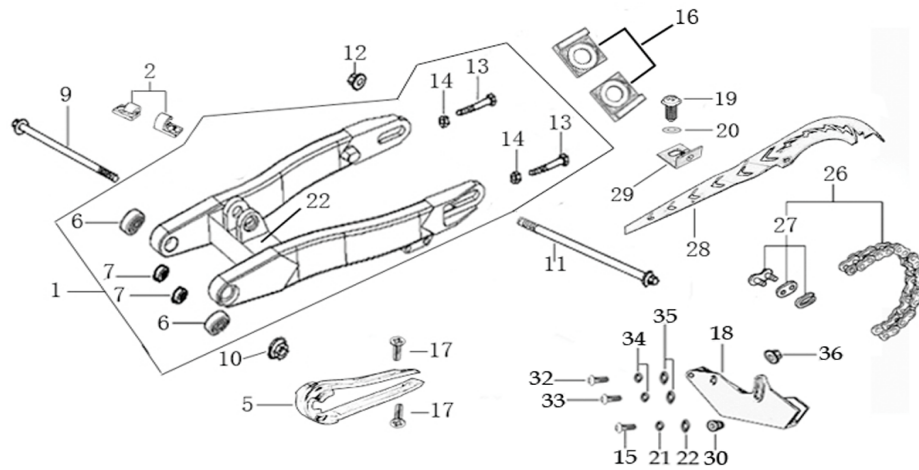
	GB5787-M6×12-W	Plus screw M6X12	vis M6X12	1	SM15014-17
	GB6177-M6-W	Hex. Flanged nut M6	écrou M6	1	SM15014-17
15	YC110-80	Gas tank	Bac Recuperateur essence	1	SM12-17
16	YC110-81	Oil tank	Bac Recuperateur Huile	1	SM12-17
	YC110-8001	Caps Oil tank	Bouchon Bac Recuperateur essence / huile	2	SM12-17
	YC110-8002	Oil tank	Bac Recuperateur essence / huile	2	SM12-17

Foot Peg assy



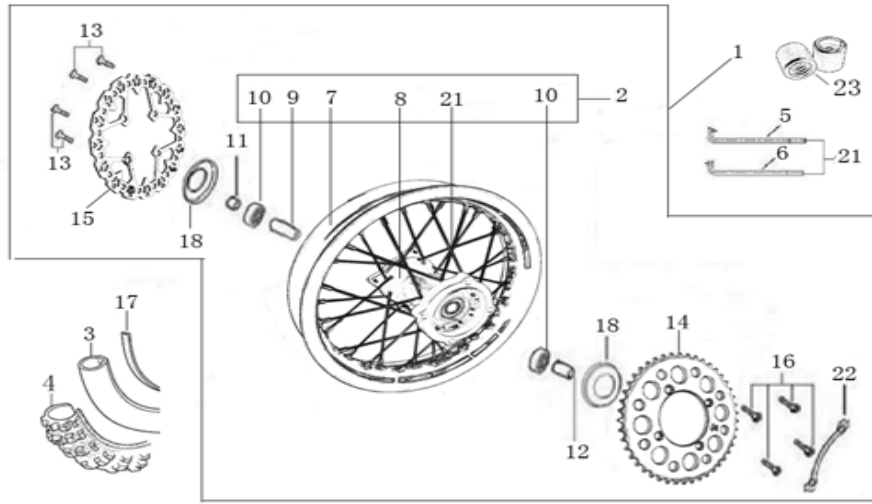
N	Ref.	Description	Français	Qty/ Bike	MODEL
2	YC110-0902-01	Right foot peg Steel START / PILOT 2013 GREY	Repose pied Acier droit START / PILOT 2013 GRIS	1	F88s13-16/F88se15-17/F88L17//F125L1617/F150L17/F12513-16/F125s13-17/F125se15-17/P88s13-15/P12513-17/P15013-17/SM13-17
3	YC110-0903-01	Left foot peg Steel START / PILOT 2013 GREY	Repose pied Acier gauche START / PILOT 2013 GRIS	1	F88s13-16/F88se15-17/F88L17//F125L1617/F150L17/F12513-16/F125s13-17/F125se15-17/P88s13-15/P12513-17/P15013-17/SM13-17
4	YC110-196	Kick stand 280mm	bequille 280mm	1	F88L17/F125L1617/F150L17/F12513-16/F125s13-17/F125se15-17/P88s13-15/P12513-17/P15013-17/SM13-17
5	YC110-202-01	YCF Engine skid plate Steel START125 / PILOT /SM150 MATTE BLACK	Sabot moteur Acier YCF START125 / PILOT /SM150 NOIR MAT	1	F125L1617/F150L17/F12513-16 /P12513-17/P15013-17/SM15013-17
6	YC110-09-01	Spring for right steel foot peg $\Phi 1.5 \times \Phi 16.5 \times 10$ mm	ressort repose pied droit acier $\Phi 1.5 \times \Phi 16.5 \times 10$ mm	1	ALL BIKES2013-2017(BUTSP/BIGYF150MX/FD190MX)

7	YC110-09-02	Spring for left steel foot peg Φ1.5×Φ16.5×10mm	ressort repose pied gauche acier Φ1.5×Φ16.5×10mm	1	ALL BIKES2013-2017(BUTSP/BIGYF150MX/FD190MX)
8	YC110-19-01	spring for kick stand Φ2.5×Φ15×105	ressort bequille Φ2.5×Φ15×105	1	ALL BIKES2014-17(BUTSP1/SP2/SP3)
9	GB882-Φ8×43-W	shaft pin for steel footpegs φ8×43	axe repose pied acier φ8×43	2	ALL BIKES2014-17(BUT50A/50E/SP1/SP2/SP3)
10	GB97-Φ8-W	flat washer φ8×16×1	rondelle φ8×16×1	2	ALL BIKES2011-17
11	GB91-Φ2×25-W	Cotter pin 2.0×25	goupille 2.0×25	2	ALL BIKES2013-17
16	GB5787-M6×16-W	screw M6X16 for skid plate	vis sabot M6X16	2	ALL BIKES2012-17(BUT50A)
17	FB02-M10×1.5×30I	Stepped screw M10X35 for kick stand	vis bequille M10X35	1	ALL BIKES2014-17(BUTSP1/SP2/SP3)
18	GB6170-M10-G	Hex. Nut M10	ecrou bequille M10	1	ALL BIKES2014-17(BUTSP1/SP2/SP3)
19	YC110-0902/09	Steel foot pegs set 2013	jeu repose pied Acier 2013	1	SM13-17
20	YC110-32	Pedal sheath around	TAMPON TEFLON REPOSE PIED	2	SM12-17
21	YC110-36	outer support of Pedal	PATTE AVANT DE REPOSE PIED	2	SM12-17
22	YC110-37	inside stents of Pedal	PATTE ARRIERE DE REPOSE PIED	2	SM12-17
24	GB93-Φ10-W	Standard spring washer φ10	rondelle φ10	1	ALL BIKES2014-17(BUTSP1/SP2/SP3)
25	GB818-M4×16-W	Plus screw M4X16	vis M4X16	8	SM12-17
26	GB97-Φ5-W	flat washer φ5	rondelle φ5	8	SM12-17
27	GB6170-M4-W	Nut M4	ecrou M4	8	SM12-17
Swing Arm assy					



N	Ref.	Description	Français	Qty/ Bike	MODEL
1	YC110-1001-05	swing arm mono Steel 420mm 2015	bras oscillant acier mono Acier 420mm 2015	1	P12515-17/P15015-17/SM15015-17
6	6001/28-12-08	Swing arm bearing $\phi 28 \times \phi 12 \times 8 \text{mm}$	roulement bras oscillant $\phi 28 \times \phi 12 \times 8 \text{mm}$	2	ALL BIKES2009-17
7	YC110-1001-013	Spacer for swing arm $\Phi 12 \times \Phi 20 \times 11.5$	entretoise $\Phi 12 \times \Phi 20 \times 11.5$	2	F88L17/F88s12-16/F88se15-17/F125L1617/F150L17/F12512-16/F125s12-17/F125se15-17/F88s12-15/P12513-17/P15013-17/SM12-17/SP1617
13	GB5783-M8x40-W	Exterior hex. Bolt M8X40	vis tendeur chaine M8x40	2	ALL BIKES2012-17 (BUT50A)
14	FB6170-M8-W	Hex. Nut M8	ecrou tendeur chaine M8	2	ALL BIKES2012-17(BUT50A)
16	YC110-11-08	Block axle SILVER	Tendeur chaine SILVER	2	F88s12-16/F88se15-17/F125L16/F12512-16/F125s12-17/F125se15-17/P88s13-15/P12513-17/P15013-17/SM12-17/SP11617
5	YC110-10-025	Chain slider YCF Aluminium swing arm 420mm PU	patin chaine YCF long pour Bras oscillent Aluminium YCF 420mm PU	1	P12515-17/P15015-17/SP12-17/SM15015-17/BIFY2017
2	YC110-10-014-BK	Rear brake clip for BLACK	attache durite frein arriere NOIR	1	ALL BIKES2012-15(BUTSP1/SP2/SP3)/ALL BIKES2016-17 (BUTSP2/SP3)
17	GB819-M6x16-W	Plus screw M6X16	vis m6x16	5	ALL BIKES2015-17(BUTSP2/SP3/BIG YF150MX/FD190MX)
9	YC110-10-035	Swing arm shaft with self lock nut M12 L=240mm	axe bras oscillant $\phi 10$ avec ecrou M12 L=240mm	1	F88s13-15/P12513-17/P15013-17/SM15013-17/BIGY2017
10	GB6187-M12-W	Self locking nut M12	ecrou bras oscillant M12	1	ALL BIKES2012-17
24	FB13-20x13x120	Central spacer steel swing arm PILOT 2013	Entretoise centrale de bras oscillent acier PILOT 2013	1	F88s13-15/P12513-17/P15013-17/SM15013-17

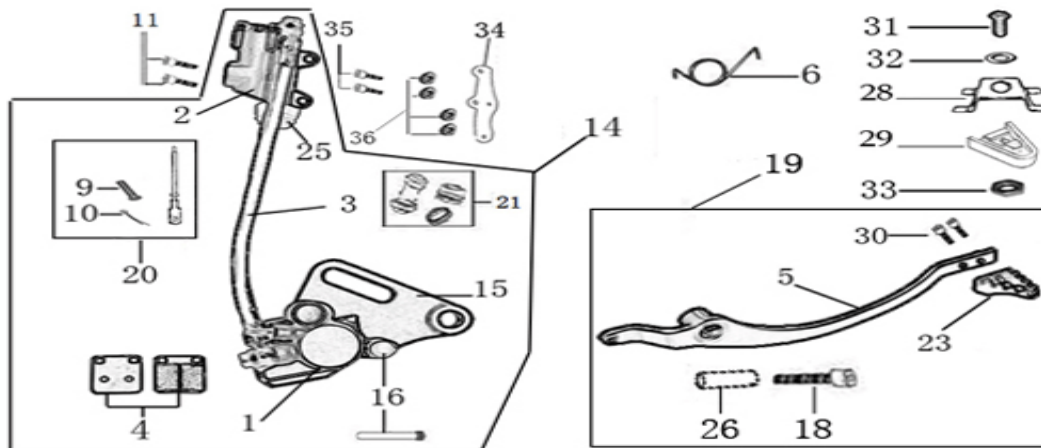
11	YC110-11-076	Rear wheel axle L=215mm with holes and Self locking nut M14 for supermoto	axe roue arriere supermoto percee avec ecrou L=215mm avec ecrou M14	1	SM1617
12	GB6187-M14-W	Self locking nut M14	ecrou axe roue arriere M14	1	ALL BIKES2012-17 (BUT50A)
18	YC110-1004	YCF chain guide assy for High class range BLACK	guide chaine YCF pour haut de gamme NOIR	1	P12515-17/P15015-17/SP12-17/SM15015-17/BIFY2017
15	GB70.2-M5x16	Plus screw M5X16	vis M5X16	1	P12515-17/P15015-17/SP12-17/SM15015-17/BIFY2017
21	GB93-Φ5-W	Standard spring washer φ5	rondelle φ5	1	P12515-17/P15015-17/SP12-17/SM15015-17/BIFY2017
22	GB97-Φ5-W	Flat washer φ5	rondelle φ5	1	P12515-17/P15015-17/SP12-17/SM15015-17/BIFY2017
30	GB6100-M6-CW	nut M6x25mm	Vis M6x25mm	5	ALL BIKES2015-17(BUTSP2/SP3/BIG YF150MX/FD190MX)
32	GB70-M6x20	Stud screw M6X20	vis M6X20	1	P12515-17/P15015-17/SP12-17/SM15015-17
33	GB70-M6x25	Stud screw M6X25	vis M6X25	1	P12515-17/P15015-17/SP12-17/SM15015-17
34	GB93-Φ6-W	Standard spring washer φ6	rondelle φ6	2	P12515-17/P15015-17/SP12-17/SM15015-17
35	GB97-Φ6-W	Flat washer φ6	rondelle φ6	2	P12515-17/P15015-17/SP12-17/SM15015-17
36	GB6177-M6-W	Hex. Nut M6	ecrou tendeur chaine M6	1	ALL BIKES2013-15(BUT50A)/ALL BIKES2016-17(BUT50A/SP)
29	YC110-0600-02	Chain box protection support	Support Protection chaine plastique	1	ALL BIKES2012-2017(BUT50A)
29	YC110-0600-021	Chain box protection support	Support Protection chaine plastique	1	ALL BIKES2012-2017(BUT50A)
19	GB818-M6x12-W	Plus screw M6x12	vis M6x12	3	ALL BIKES2012-17(BUT50A)
20	GB97-Φ6	Flat washer φ6	rondelle φ6	3	ALL BIKES2012-17
26	420H-110T	Chain 420H-110T, normal	chaine 420 110 maillons standart	1	P12515-17/P15015-17/SM15015-17
27	AR-420	Chain link	Attache rapide chaine	1	All BIKES2012-17(BUT50E)
28	YC110-0600-01	Chain box protection	Protection chaine plastique	1	ALL BIKES2012-2015(BUT50A)/ALL BIKES2016-17(BUT50A/F88s/F88se/BIGY)
Rear Wheel Assy					



N	Ref.	Description	Français	Qty/ Bike	MODEL
1	YC110-1101-33	Complete STEEL Rear wheel 2.15x12' with disk. Casting hub	roue arriere complète ACIER 2.15x12' moyeux injecte avec disque	1	SM1617
2	YC110-1102-31	Complete STEEL Rear wheel 2.15x12' without disk. Casting hub	roue arriere complète ACIER 2.15x12' moyeux injecte sans disque	1	SM12-17
3	CHAMBRE12	Tube for Rear tire 3.00-12' GL	chambre air 12' standard GL	1	ALL BIKES2012-2017(BUT50A/F88s/F88se/P88s)
	FB6170-M8-Cr	Tire valve nut M8	Ecrou M8 pour Chambre a air	1	ALL BIKES
4	120/80-12	YCF Rear tyre 120/80-12	pneu arriere 120/80-12 YCF	1	SM15-17
7	YC110-1101-014	STEEL Rim 2.15x12'	cerceau roue 2.15x12' ACIER	1	SM12-17
8	YC110-1122-02	Rear wheel hub Casting with oil seal	moyeux arriere injectée avec joint spy	1	ALL BIKES2012-17 (BUT50A/SP/BIGY)
10	96140-6202-2Z	Ball bearing 6202-2Z $\Phi 35 \times \Phi 15 \times 11$	roulement roue 6202-2Z $\Phi 35 \times \Phi 15 \times 11$	2	ALL BIKES2012-2015 (BUT50A) /ALL BIKES2016-17 (BUT50A/SP2/SP3)
11	YC110-11-041	Rear wheel spacer right $\Phi 15 \times \Phi 22 \times 29$ mm	entretoise roue arriere droite $\Phi 15 \times \Phi 22 \times 29$ mm	1	F88s12-16/F88se15-17/F88L17/F125L1617/F150L17/F12512-16/F125s12-17/F125se15-17/P88s12-15/P12513-17/P15013-17/SM12-17/SP11617
12	YC110-11-052	Rear wheel spacer left $\Phi 15 \times \Phi 22 \times 38$ mm	entretoise roue arriere gauche $\Phi 15 \times \Phi 22 \times 38$ mm	1	F88s12-16/F88se1517/F88L17/F125L1617/F150L17/F12512-16/F125s12-17/F125se15-17/P88s12-15/P12513-17/P15013-17/SM12-17/SP11617
13	GB70.2-M8x16	Screw for disk M8X16	vis disque frein M8X16	4	ALL BIKES2012-17 (BUT50A)

14	YC110-11-06/45	YCF Driven sprocket 420-45T	couronne acier 45T YCF	1	50A1617/F125L1617/ F150L17/F12512- 16/F125s12- 17/F125se15- 17/P12513-17/P15013- 17/SM12-17
15	YC110-1115-01	Rear Brake disc φ200mm 2016	Disque frein arrière φ200 mm 2016	1	ALL BIKES 2016- 17(BUT50A)
16	GB5783-M8×25-W	Exterior Hex.Bolt M8X25	vis M8x25	4	F88s13-16/F88se15- 17/F88L17/F125L1617/F1 50L17/F12513-16/F125s13- 17/F125se15-17/P88s13- 15/P12513-17/P15013- 17/SM13-17
17	YC110-11-01	tire lining 12"	fond jante 12'	1	ALL BIKES2012- 2015(BUT50A/F88s/ F88se/P88s)/ALL BIKES2016- 17(BUT50A/F88s/F88
18	YC110-0611	oil seal Φ23×Φ35×5	joint spy roue Φ23×Φ35×5	2	ALL BIKES2013- 17(BUT50A)
21	JR12-13.5	set of spoke 12' (125mm×32)	jeu rayon arrière 12' (125mm×32)	1	SP213-17/SP313- 17/SM13-17
22	YC110-11-03	Sprocket Locking piece	block couronne	2	ALL BIKES2013- 17 (BUTSP1/SP2/SP3/BI GY)
23	YC110-30	Teflon SM	Tampon teflon pour axe avant / arriere SM	2	SM12-17
	GB5787-M6×25-W	Hex. Bolt with Flanged M6X25	vis M6x25	2	SM12-17

REAR BRAKE

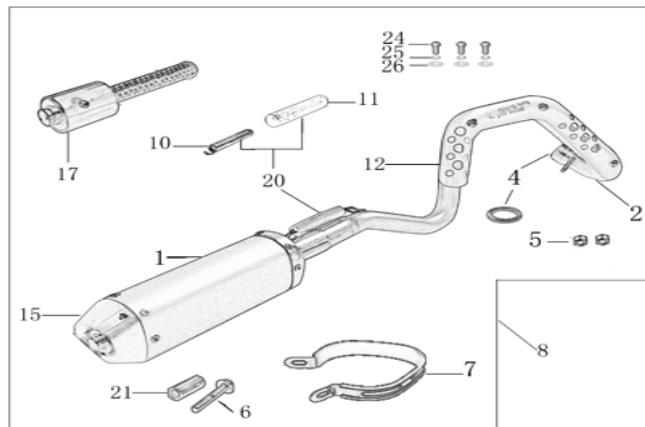


N	Ref.	Description	Français	Qty/ Bike	MODEL
1	YC110-1201-04	Rear Caliper 1 pistons w/t abestos	étrier frein arrière 1 piston sans amiante	1	ALL BIKES2012- 2015(BUT50A) /ALL BIKES2016- 17(BUT50A/SP2/SP3/BI GYF150MX/FD190MX)
2	YC110-1201024	Rear reservoir φ 10mm (with stick L=45mm)	maitre cylindre frein arrière avec embout durite φ 10mm	1	P1251617/P1501617/ SM1501617/BIGY201 7

3	YC110-1201048	Oil steel tube L=465mm Φ 10/ Φ 10 PILOT 2016	durite frein arriere L=465mm Φ 10/ Φ 10 PILOT 2016	1	P1251617/P1501617/SM1501617/SP11617
4	YC110-1204	Friction pad for 1 piston brake w/t abestos with copper substrate	plaquette frein arriere 1 piston SANS AMIANTE	2	ALL BIKES2012-2015 (BUT50A/F88s/F88se) /ALL BIKES2016-17 (BUT50A/F88s/F88se/LITE/SP2/SP3)
5	YC110-1205-06	Steel brake pedal PILOT88s	pédale de frein PILOT88s	1	P88s13-15/P12513-17/P15013-17/SM15013-17/BIGY125MX17/150MX17
6	YC110-21-01	Spring for Steel brake pedal' Φ 3 \times Φ 32 \times 7mm	ressort pour pédale de frein Acier Φ 3 \times Φ 32 \times 7mm	1	ALL BIKES2013-14(BUT50A)/ALL BIKES2015-2017(BUT50A/SP/F150MX/FD190MX)
9	GB882- Φ 7 \times 16-W	Pin shaft 7 \times 16mm	axe 7 \times 16mm	1	ALL BIKES2012-17 (BUT50A)
10	GB91- Φ 1.6 \times 16-W	Split pin 1.6 \times 16mm	goupille 1.6 \times 16mm	1	ALL BIKES2012-17 (BUT50A)
11	GB70-M6 \times 20	Hex. Bolt M6 \times 20	vis M6 \times 20	2	ALL BIKES2012-17 (BUT50A)
14	YC110-12012-24	Rear brake aasy 1 piston W/T ABESTOS Φ 10/ Φ 10 L=465mm 2016	Kit frein arriere 1 piston avec gaine plastic SANS AMIANTE Φ 10/ Φ 10 L=465mm 2016	1	P1251617/P1501617/SM1501617
15	YC110-1201-01	Rear brake bracket T=5MM	patte fixation étrier frein arriere T=5MM	1	ALL BIKES2012-15(BUT50A)/ALL BIKES2016-17(BUT50A/LITE/SP2/SP3)
16	YC110-1255	Rear Brake pads Screw L=38mm	Vis plaquette AR L=38mm	2	ALL BIKES2012-15(BUT50A)/ALL BIKES2016-17(BUT50A/SP2/SP3)
18	GB70.1-M10 \times 35-B	Nut for brake pedal M10X35	vis pour pédale frein M10X35	1	P88s16/P1251617/P1501617/SM1501617/SP1617/BIGY2017
19	YC110-217-01	Steel brake pedal PILOT / SM150 2013	Pédale de frein Acier PILOT / SM150 2013	1	P88s13-15/P12513-17/P15013-17/SM15013-17/BIGY125MX17/150MX17
21	YC110-120110	rubber for rear caliper	jeu de caoutgouc d'etrier frein arriere	1	ALL BIKES2012-2015 (BUT50A) /F88s16/F88se1617/F88L17/F125L1617/F150L17/F12516/F125s1617/F125se1617/SM125s1617
23	YC110-21-10	Steel brake pedal end cap	embout pédale de frein Acier	1	F88s12-16/F88se15-17/F88L17/F125L1617/F150L17/F12512-16/F125s12-17/F125se15-17/F88s12-15/P12513-17/P15013-17/SM12-17
25	YC110-12025-01	Rubber for REAR RESERVOIR PUSH STICK 2016	Caoutchouc tige maitre cylindre frein arrier 2016	1	P1251617/P1501617/SP1617/SM1501617/BIGY2017
26	FB13-10 \times 14 \times 17-CW	bushing Φ 10 \times Φ 14 \times 17mm	entretoise Φ 10 \times Φ 14 \times 17mm	1	P88s13-15/P12513-17/P15013-17/SM15013-17/BIGY125MX17/150MX17
28	YC110-35	rubber fixing steel plate for brake pedal	plaque support tampon teflon pédale de frein	1	SM12-17
29	YC110-31	rubber for brake pedal	tampon téflon pédale frein	1	SM12-17

30	GB70-M6×16-Cr	Hex. Bolt M6x16	vis M6x16	2	F88s13-16/F88se15-17/F88L17/F125L1617/F150L17/F12513-16/F125s13-17/F125se15-17/P88s13-15/P12513-17/P15013-17/SM13-17
31	GB818-M6×16-W	Plus screw M6X16	vis M6X16	1	SM12-17
32	GB97-Φ6-W	flat washer φ6	rondelle φ6	1	SM12-17
33	GB6170-M6-W	Nut M8	écrou M8	1	SM12-17
34	YC110-1215-06	Mount for rear break reservoir "extern" 2017	fixation maître cylindre frein arriere "externe" 2017	1	P12517/P15017/SM15017/SP17/BIGY2017
35	GB70-M6×16	Hex. Bolt M6x16	vis M6x16	2	P12517/P15017/SM15017/SP17/BIGY2017
36	GB93-Φ6	Standard spring washer φ6	rondelle φ6	4	P12517/P15017/SM15017/SP17/BIGY2017

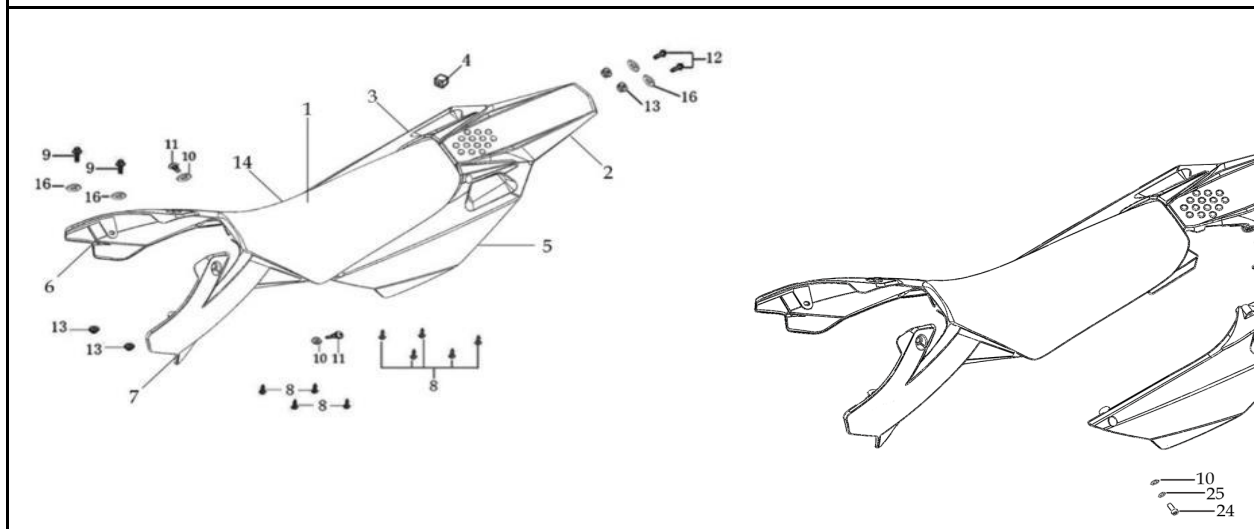
Exhaust system



N	Ref.	Description	Français	Qty/ Bike	MODEL
1	YC110-13016-GY	YCF Muffler 94db START L=295mm (1 springs) 2015 GREY	silencieux YCF 94db 2015 GRISE	1	F88s1516/F88se15-17/F88L17/F125L1617/F150L17/F1251516/F125s15-17/F125se15-17/P88s15/P12515-17/P150151617/SM15-17
2	YC110-1302-10	Exhaust pipe with protection plate Φ28 mm PILOT 2015	collecteur avec plaque Φ28 mm PILOT 2015	1	P88s15/P12515-17/P15015-17/SM15015-17
4	18291/152FMH	Exhaust pipe washer φ32×φ25.5×4	joint pot φ32×φ25.5×4	1	ALL BIKES2012-2017 (BUT50A/50E)
5	GB6170-M6-W	Hex flanged self locking nut M6	écrou M6	2	ALL BIKES
6	GB5787-M8×35-W	Hex. Bolt with flanged M8x35	vis M8x35	1	50A13-17/P12513-17/P15013-17/SM15013-17
7	YC110-13-04	Hoop for muffler YCF START 2011(with FB13-Φ10×Φ14×23-W 1EA+GB5787-M8×40-W 1EA)	Attache silencieux YCF START 2011	1	5011/F88s12-16/F88se15-17/F88L17/F125L1617/F150L17/F12512-16/F125s12-17/F125se15-17/P88s12-15/P12513-17/P15012-17/SP112-17/SM12-17

8	YC110-136-03-GY	PILOT / SM150 Muffler& Exhaust pipe assy YCF 94db (1 spring)	Echappement complet YCF 94db PILOT / SM150 (1 ressort)	1	P88s15/P12515-17/P15015-17/SM15015-17
10	YC110-13-201	muffler spring $\Phi 6.5 \times \Phi 9 \times 50\text{mm}$	ressort pot $\Phi 6.5 \times \Phi 9 \times 50\text{mm}$	1	ALL BIKES2012-14(BUT50A)/ALL BIKES2015-17 (BUT50A/SP/BIGYF150MX/FD190MX)
11	YC110-138	rubber for muffler spring	caoutchouc ressort pot	1	ALL BIKES2012-17(BUT50A)
12	YC110-1312-02	Protection for exaust pipe PILOT / SM150 2013	Grille pot PILOT / SM150	1	P88s13-15/P12513-17/P15013-17/SM15013-17
15	YC110-13-32	Muffler end cap YCF	Emout silencieux YCF	1	5011/F88s12-16/F88se15-17/F88L17/F125L1617/F150L17/F12512-16/F125s1217/F125se15-17/P88s12-15/P12513-17/P15013-17/SM12-17/SP113-17
17	YC110-13-301	Noise reducer (spark arrestor) YCF START	Bride de pot YCF START	1	F88s12-16/F88se15-17/F88L17/F125L1617/F150L17/F12512-16/F125s1217/F125se15-17/P88s12-15/P12513-17/P15013-17/SM12-17/SP112-17
20	YC110-13-21	muffler spring with rubber	ressort pot avec le caoutchouc	1	ALL BIKES2012-14(BUT50A)/ALL BIKES2015-17 (BUT50A/SP2/SP3/BI GYF150MX/FD190MX)
24	GB70.2-M6×10-Cr	Plus screw M6×10	vis M6×10	3	ALL BIKES2013-17
25	GB93- $\Phi 6$ -W	Standard spring washer $\phi 6$	rondelle $\phi 6$	3	ALL BIKES2013-17
26	GB97- $\Phi 6$ -W	flat washer $\phi 6$	rondelle $\phi 6$	3	ALL BIKES2013-17

Seat & Plastic kit

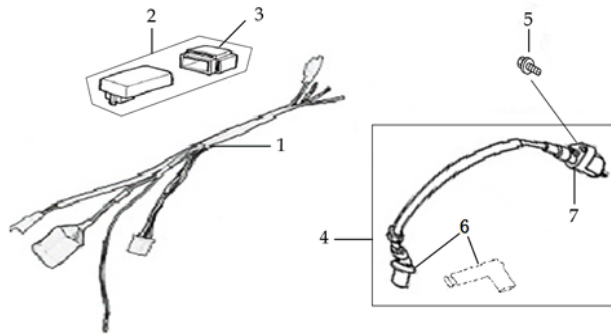


N	Ref.	Description	Français	Qty/ Bike	MODEL
1	YC110-1401-09	YCF Seat assy L=510mm 2016	Sells SP 2016	1	P1251617/P1501617/SP11617/SP21617/SP31617/SM1501617
2	YC110-14-018BK	YCF Rear fender 2016 BLACK with YC110-1404-01 2EA	Garde boue arrière YCF 2016 avec Picots NOIR	1	P12516/P15016/SM1501617/SP116/SP216/SP316

3	YC110-14-028BK	YCF right side plastic assy 2016 BLACK	Plaque latérale droite YCF 2016 NOIRE	1	P12516/P15016/SM1501617/SP116/SP216/SP316
17	YC110-1428-01BK	YCF Handle for right side plastic 2016 BLACK	Paire de Poignees Droite pour Plaque Laterales YCF 2016	1	P1251617/P1501617/SM1501617/SP1617
19	YC110-1419-01-BK	YCF right side plastic 2016 BLACK	Plaque latérale droite YCF 2016 NOIRE	1	P12516/P15016/SM1501617/SP116/SP216/SP316
5	YC110-14-048BK	YCF left side plastic assy 2016 BLACK	Plaque laterale gauche YCF 2016 NOIRE	1	P12516/P15016/SM1501617/SP116/SP216/SP316
18	YC110-1429-01BK	YCF Handle for left side plastic 2016 BLACK	Paire de Poignees Gauche pour Plaque Laterales YCF 2016	1	P1251617/P1501617/SM1501617/SP1617
20	YC110-1420-01-BK	YCF left side plastic 2016 BLACK	Plaque laterale gauche YCF 2016 NOIRE	1	P12516/P15016/SM1501617/SP116/SP216/SP316
21	YC110-1404-01	Cushion for side plastic $\Phi 8.2 \times \Phi 20.2 \times 9$ mm 2016	caoutchouc plaque laterale $\Phi 8.2 \times \Phi 20.2 \times 9$ mm 2016	2	P11251617/P1501617/SP11617/SP21617/SP31617/SM1501617
4	YC110-14-03	Cushion for right side plastic	caoutchouc plaque laterale droite	1	ALL BIKES
22	GB70.2-M5x12-Cr	Plus screw M5X12	vis M5X12	2	P1251617/P1501617/SM1501617/SP1617
23	GB70-M6x12	Hex. Bolt M6x12	vis M6x12	2	P1251617/P1501617/SM1501617/SP1617
24	GB70-M6x16	Hex. Bolt M6x16	vis M6x16	2	P1251617/P1501617/SM1501617/SP1617
25	GB97- $\Phi 6$ -W	flat washer $\phi 6$	rondelle $\phi 6$	4	P1251617/P1501617/SM1501617/SP1617
10	YC110-02-13	Rubber washer $\Phi 6 \times \Phi 14 \times 3$ mm	joint caoutchouc $\Phi 6 \times \Phi 14 \times 3$ mm	4	ALL BIKES2012-17
6	YC110-14-052BK	YCF Right shroud BLACK	Ouie radiateur droite YCF NOIRE	1	ALL BIKES2015-16(BUT50A/50E)/F88L17/F125L17/F150L17/SM17
7	YC110-14-062BK	YCF Left side shroud BLACK	Ouie radiateur gauche YCF NOIRE	1	ALL BIKES2015-16(BUT50A/50E)/F88L17/F125L17/F150L17/SM17
8	GB845-ST4.8x16-G	Screw for plastic kit ST4.8x16	vis plastique ST4.8x16	8	ALL BIKES2012-17(BUT BIGY)
8	GB845-ST4.8x20-G	Screw for plastic kit ST4.8x20	vis plastique ST4.8x20	1	F88s13-15/P12513-17/P15013-17/SM15013-17/SP113-17/SP213-17/SP313-17
9	GB5787-M6x20-W	hex. Bolt with flanged M6x20	vis M6x20	2	ALL BIKES2012-17(BUT BIGY)
10	YC110-02-13	Rubber washer $\Phi 6 \times \Phi 14 \times 3$ mm	joint caoutchouc $\Phi 6 \times \Phi 14 \times 3$ mm	2	ALL BIKES2012-17
11	FB5787-M5x12-W	hex. Bolt with flanged M5x12	vis M5x12	2	ALL BIKES2012-17
11	GB96- $\Phi 5$ -W	flat washer $\Phi 5 \times \Phi 12$	rondelle $\Phi 5 \times \Phi 12$	2	ALL BIKES2015-17
12	GB5787-M6x20-B	hex. Bolt with flanged M6x20 BLACK	vis M6x20 NOIR	2	ALL BIKES2015-17

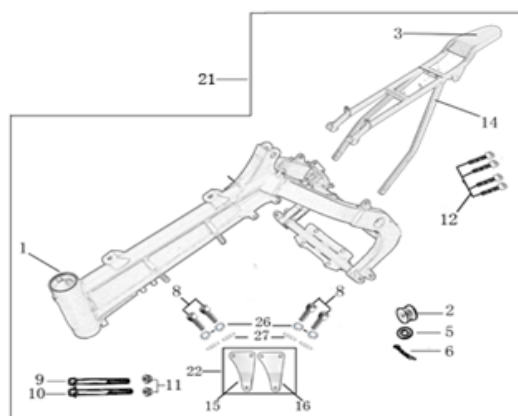
13	GB6177-M6-W	Hex. Flanged nut M6	écrou M6	2	ALL BIKES2015-17
14	YC110-14025	YCF seat cover 2016	Housse selle YCF 2016	1	P1251617/P1501617/ SM1501617/SP11617/ SP21617/SP31617
16	YC110-03-01	Rubber washer $\Phi 6 \times \Phi 18 \times 4$ mm	joint caoutchouc $\Phi 6 \times \Phi 18 \times 4$ mm	4	ALL BIKES2012-17
16	GB96- $\Phi 6$	flat washer $\phi 6$	rondelle $\phi 6$	4	ALL BIKES2012-17

ELECTRIC



N	Ref.	Description	Français	Qty/ Bike	MODEL
1	YC110-1501-11	Wire harness Waterproof 2017	Faisceaux électrique ETANCHE 2017	1	F125L17/F125s17/P12517 /P15017/SP117/SP217/S M17/BIGY125MX17/150 MX17/F150MX17
2	YC110-1503	CDI Ignitor assy.125cc	CDI 125cc	1	F125L1617/F150L17/F125 12-16/F125s12- 17/F125set15-17/P12513- 15/P15013-17/SM12- 17/SP112-17/SP212-17
3	YC110-1501-03	Ignitor rubber	caoutchouc cdi	1	ALL BIKES2012- 17 (BUT50A/SP3/BI GYFD190MX)
4	YC110-1504-02	Ignitor coil L=240mm	bobine haute tension L=240mm	1	F12512-16/F125s12- 17/F125set15-17/P88s12- 15/P12513-17/P15013- 17/SM12-17/SP114- 17/SP214-17
5	GB5787-M6x20	Hex. Bolt with flanged M6x20	vis M6x20	1	ALL BIKES2013- 17(BUT50A/SP3)
6	YC110-1505	anti interference red	anti parasite rouge	1	ALL BIKES2012- 2017 (BUT50A/50E/ SP3/BIGYFD190MX)
7	YC110-1504	Ignitor coil	bobine haute tension	1	ALL BIKES2012- 2017 (BUT50A/50E/ SP3/BIGYFD190MX)

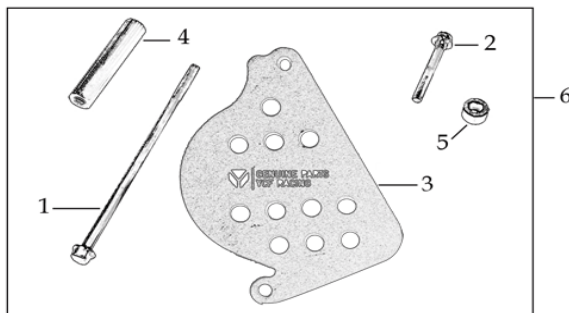
Frame



N	Ref.	Description	Français	Qty/ Bike	MODEL
1	YC110-176-06-WH	PILOT F150 / SM150 Chromely Frame (for fork 735mm) 2014 WHITE	Cadre chromolly PILOT F150 / SM150 (pour fourche 735mm) 2014 BLANC	1	P12515-17/P15014-17/SM15014-17
2	YC110-2201	YCF Chain tensioner component	roulette chaine YCF	1	ALL BIKES2011-17 (BUT50A)
3	YC110-0700-11	Tail cover sponge	Mousse Boucle arriere	1	ALL BIKES2014-16(BUT50A/SP3)/ALL BIKES2017 (BUT50A/SP/BIGY)
5	GB97-Φ10-W	Flat washer φ10x17x2	rondelle φ10x17x2	1	ALL BIKES2014-17 (BUT50A)
6	GB91-Φ2×25-W	cotter pin φ2.0×25	goupille φ2.0×25	1	ALL BIKES2012-17 (BUT50A)
8	GB70-M8×20	Hex. Bolt with flanger M8x20	vis boucle arriere M8x20	2	P88s13-15/P12513-17/P15013-17/SP113-17/SP213-17/SP313-17/SM15013-17
8	GB70-M8×14	Hex. Bolt with flanger M8x14	vis boucle arriere M8x14	2	P88s13-15/P12513-17/P15013-17/SM15013-17
9	GB5787-M8×110-W	Hex. Bolt with flanger face M8X110	vis m8x110	1	F88s13-16/F88se15-17/F12513-16/F125s13-17/F125se15-17/P88s13-15/P12513-17/P1513-17/P15013-17/SM13-17
9	GB5787-M8×105-W	Hex. Bolt with flanger M8x100	vis M8x100	1	F88s13-16/F88se15-17/F12513-16/F125s13-17/F125se15-17/SM125s13-17/P88s13-15/P12513-17/P15013-17
10	GB6187-M8-W	Self locking nut M8	ecrou M8	2	ALL BIKES
12	GB70-M8×25	Hex. Bolt with flanger M8x25	vis boucle arriere M8x25	4	F12513-16/F125s13-17/F125se15-17/P88s13-15/P12513-17/P15013-17/SM13-17
14	YC110-1614-16-BK	STEEL rear frame part P150/SM150 2017 BLACK	Boucle arriere de cadre ACIER P150/SM150 2017 NOIR	1	P12517/P15017/SM15017
	YC110-1633-01	Rubber plug for Rear frame part BIGY 2017	Caoutchouc Embout pour Boucle Arriere	1	P12517/P15017/SM15017/SP117/SP217/BI-GY2017
	YC110-1404-01	Rubber for Subframe	Caoutchouc pour Boucle Arriere	2	P1251617/P1501617/SM1501617/SP1617

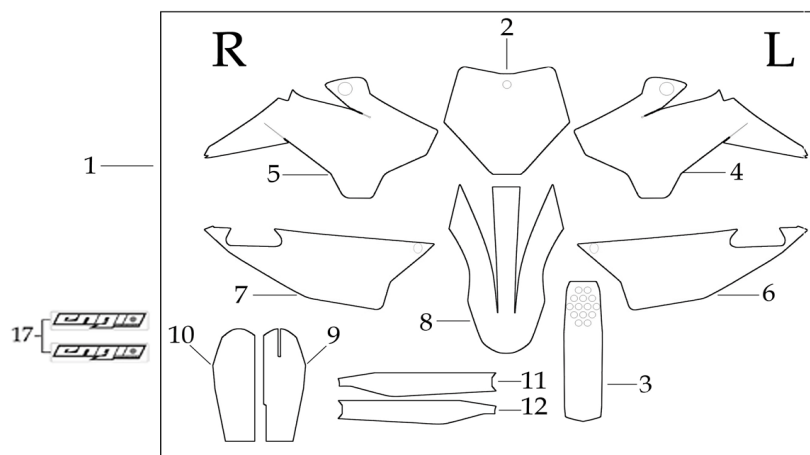
15	YC110-1615-02-BK	frame engine pads left PILOT 150/SM150 BLACK 2014	patte de cadre gauche PILOT 150/SM150 2014 NOIRE	1	P12515-17/P15014-17/SM15014-17
16	YC110-1616-02-BK	frame engine pads right P150/SM150 2014 BLACK	patte de cadre droite PILOT P150/SM150 2014 NOIRE	1	P12515-17/P15014-17/SM15014-17
21	YC110-181-06-WH	complète frame PILOT F150 / SM F150 WHITE / Black pads 2016	cadre complet PILOT F150 / SM F150 BLANC / Pattes Noires 2016	1	P1251617/P1501617/SM1501617
22	YC110-1622-02-BK	set of engine pads PILOT 150 /SM150 2014 BLACK	jeu de patte de cadre PILOT 150/ SM150 2014 NOIRE	1	P12515-17/P15014-17/SM15014-17
26	GB93-Φ8-W	washer φ8	rondelle φ8	4	P88s13-15/P12513-17/P15013-17/SP13-17/SM15013-17
27	GB97-Φ8-W	Flat washer Φ8	rondelle Φ8	4	P88s13-15/P12513-17/P15013-17/SP13-17/SM15013-17

FRONT SPROCKET PROTECTION



N	Ref.	Description	Français	Qty/ Bike	MODEL
1	GB5787-M6×120-Cr	Hex. Bolt with flanger M6×120 Chrome	vis M6×120	1	ALL BIKES2012-17 (BUT50A/F88se/F125se/LITE/SP3)
2	GB5787-M6×40-Cr	Hex. Bolt with flanger M6×40 Chrome	vis M6×40	1	ALL BIKES2012-17 (BUT50A/F88se/F125se/LITE/SP3)
3	YC110-24-074-BK	Aluminium chain protection 2013 PILOT / FACTORY BLACK	Protection PSB Aluminium 2013 PILOT / FACTORY NOIR	1	P88s13-15/P12513-17/P15013-17/SP113-17/SP213-17/SM15013-17
4	FB13-7×12×55-W	bushing Φ7×Φ12×55	entretoise Φ7×Φ12×55	1	ALL BIKES2012-17 (BUT50A/F88se/F125se/LITE/SP3)
5	FB13-7×12×7-W	bushing Φ7×Φ12×7	entretoise Φ7×Φ12×7	1	ALL BIKES2012-17 (BUT50A/F88se/F125se/LITE/SP3)
6	YC110-253BK	Complete Aluminium chain protection 2013 PILOT / FACTORY 2013 BLACK	Protection complète PSB Aluminium 2013 PILOT / FACTORY 2013 NOIRE	1	P88s13-15/P12513-17/P15013-17/SP113-17/SP213-17/SM15013-17

GRAPHICS



N	Ref.	Description	Français	Qty/ Bike	MODEL
1	KDSM1502017	SM150 complete graphic kit 2017	Kit deco complet SM150 2017	1	SM15017
2	YC110-34-0110	SM150 Front plate graphic 2017	Sticker Plaque avant SM150 2017	1	SM15017
3	YC110-34-0210	SM150 Rear mudguard graphic 2017	Sticker GB Arriere SM150 2017	1	SM15017
4	YC110-34-0310	SM150 Left shrouder graphic 2017	Sticker Ouie gauche radiateur SM150 2017	1	SM15017
5	YC110-34-0410	SM150 Right shrouder graphic 2017	Sticker Ouie droite radiateur SM150 2017	1	SM15017
6	YC110-34-0510	SM150 Left side plate graphic 2017	Sticker Plaque laterales gauche SM150 2017	1	SM15017
7	YC110-34-0610	SM150 Right side plate graphic 2017	Sticker Plaque laterales droite SM150 2017	1	SM15017
8	YC110-34-0710	SM150 front fender Front fender graphic 2017	Sticker GB Avant SM150 2017	1	SM15017
9	YC110-34-0810	SM150 Front left shock protection graphic 2017	Sticker Protection gauche fourche SM150 2017	1	SM15017
10	YC110-34-0910	SM150 Front right shock protection graphic 2017	Sticker Protection droit fourche SM150 2017	1	SM15017
	YC110-1909	Sticker FACTORY Shock Absorber	Autocollant FACTORY Amortisseur	1	ALL BIKES2013-17 (BUT150A/SP3/BIGYF D190MX)
	YC110-1910	GAS TANK STICKER	STICKER RESERVOIR	1	ALL BIKES2013-17(BUT50A/BIGY)

	YC110-1901	Sticker Chain	Autocollant Chaine	1	ALL BIKES2013-17
	YC110-1902	Sticker Tire	Autocollant Pression Pneu	1	ALL BIKES2013-17
	YC110-1903	Sticker Warning OIL Level	Autocollant Attention Niveau Huile	1	ALL BIKES2013-17
	YC110-1904	Sticker Rear Mudguard 70×57mm	Autocollant garde boue arriere 70×57mm	1	ALL BIKES2013-17(BUT50A)
	YC110-1905	Sticker CE	Autocollant CE	1	ALL BIKES2013-17
	YC110-1906	Warning sticker	Sticker Attention	1	ALL BIKES2013-17
	YC110-1907	Warning Sticker Transport	Sticker Caisse Avertissement Transport	1	ALL BIKES2013-17
	YC110-1908	Warning Sticker Shosk Absorber	Sticker Avertissement Amortisseur	1	ALL BIKES2013-17
ENGINES					
	MOTEUR150-5	ENGINE 150-5 YX	M0TEUR YX DTE150-5	1	SP113-17/SM15013-17
	17311-5	Inlet Pipe,Pro P150 2015	PIPE ADMISSION P150 2015	1	P1501617 / SM1501617
	17332	carburettor paper gasket Φ28	joint papier carburateur Φ28	1	ALL BIKES2015-17 (BUT50A/SP3190)
	17332/152FMH01	Intake Gasket	JT PAPIER PIPE ADMISSION	1	ALL BIKES2015-17 (BUT50A/SP3190)
	F00C039	carburettor isolating gasket Φ27.5	joint plastique carburateur Φ27.5	1	ALL BIKES2015-17 (BUT50A/SP3190)
	11411/152FMH	Crankcase Cover, LH	CARTER ALLUMAGE	1	ALL BIKES2015-17 (BUT50A/SP3190)
	YC140-27600SI	STEEL KICK YCF 2015 BIG HOLE	KICK ACIER 2015 GROS DIAMETRE SILVER	1	P15015-17/SM15015-17/SP15-17
	24700/152FMH	Gearshift Pedal	SELECTEUR	1	F88se15-17/F12513-16/F125se15-17/P12513-17/P15013-17/SM15013-17/SP13-17

CARBU

YC110-38424	Carburetor RSP/SM150/C/CP/FP 2012 with main jet 107.5 and slow jet 15	Carburateur RSP/SM150/C/CP/FP 2012 GICLEUR 107.5 GICLEUR 15	1	P15013-17/SM15013-17/SP113-17/SP213-17/SP315013-15
YC110-3847-01	Carburetor spring Φ 17×70mm	Ressort Carbu	1	F12513-16/F125s13-17/F125set15-17/P12513-17/P15013-17/SP113-17/SP213-17/SP315013-15/SM13-17

CARTONS - CAISSES MOTOS

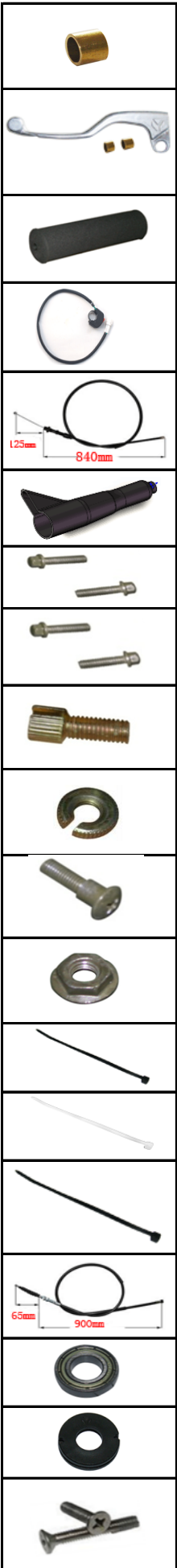
YC110-CARTON-CP	BIKE BOX CLASSIC 1520×380×840mm	CARTON EMBALLAGE MOTO CLASSIC	1	CP12/FP12/P12515-17/P15015-17/SM15015-17/SP113-17/SP213-17/SP313-15
YC110-FOAMBOX	Foam box 2014 420×340×160mm	Cale PS	1	ALL BKIES2014-17
YC110-FILM	Protective film for seat 600×600×0.02mm	Protection plastique pour Selle	1	ALL BKIES2014-17

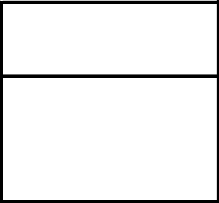
CATALOGUES - FICHES MOTOS - FICHES STICKER

YC110-0700-01	Accessory tools	Trousse a outils	1	ALL BIKES2013-17
YC110-0700-0201	Owner manual 2015	Manuel Utilisation 2015	1	ALL BIKES2013-17
YC110-0700-0401	Vin Plate 2015	Plaque Vin 2015	1	ALL BIKES2013-17
YC110-0700-03	A4 sheet assy	Fiche A4	1	ALL BIKES2013-17

2017





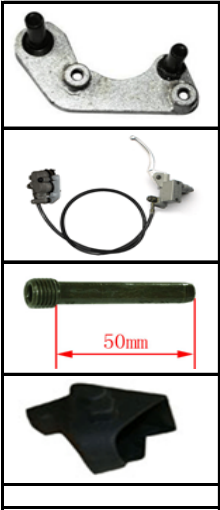






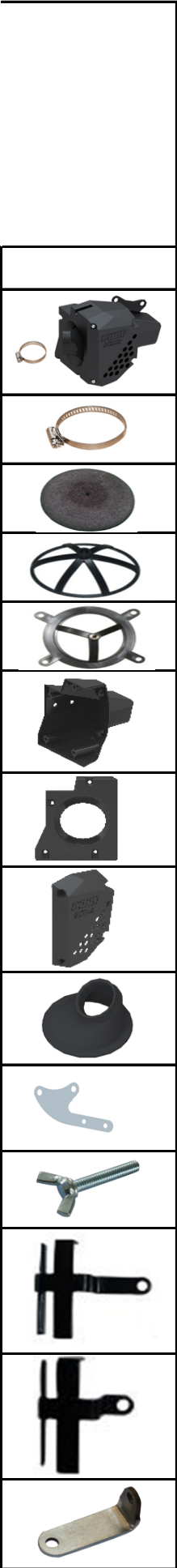






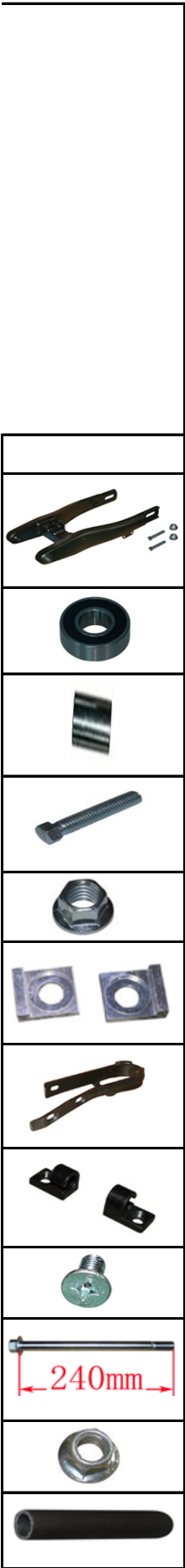






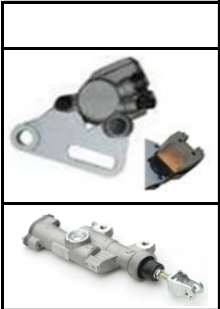


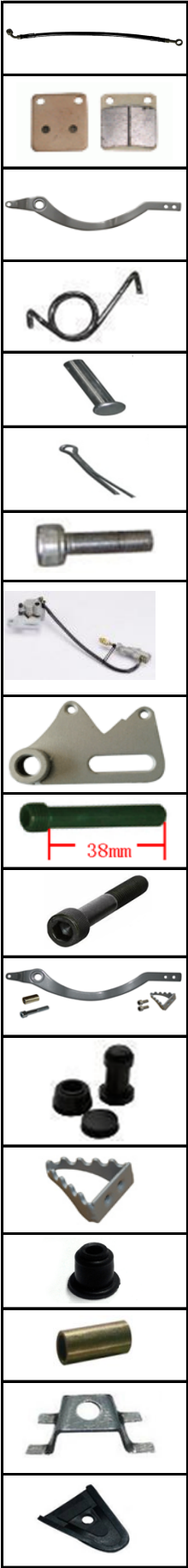




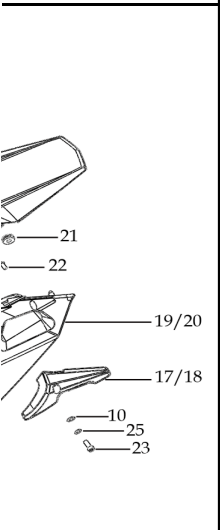


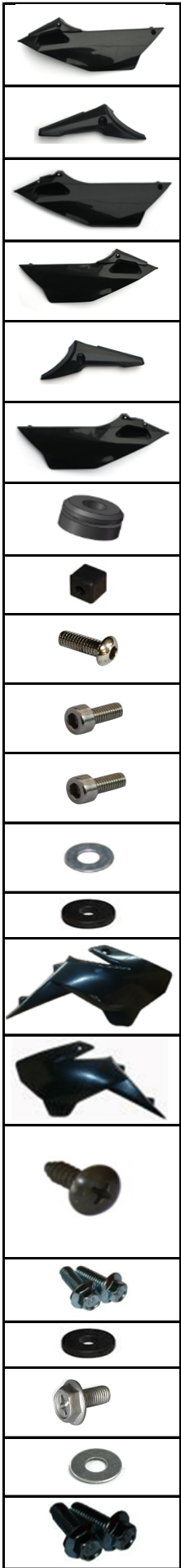






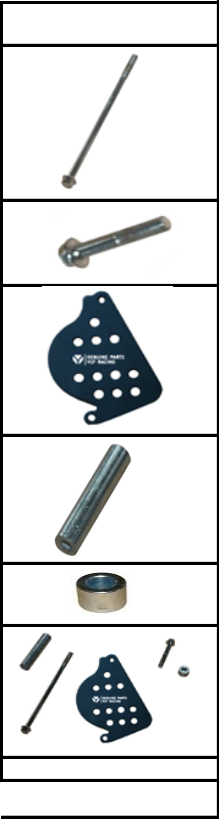














DRIVE CHAIN - CHAÎNE

NE PAS OUBLIER DE VÉRIFIER LA TENSION DE LA CHAÎNE AVANT DE PARTIR. SI LA CHAÎNE EST TROP TENDUE, ELLE PEUT ENDOMMAGER LE MOTEUR. SI LA CHAÎNE EST TROP SERRÉE, ELLE PEUT ENDOMMAGER LE MOTEUR. SI LA CHAÎNE EST TROP SERRÉE, ELLE PEUT ENDOMMAGER LE MOTEUR. SI LA CHAÎNE EST TROP SERRÉE, ELLE PEUT ENDOMMAGER LE MOTEUR.

NE PAS OUBLIER DE VÉRIFIER LA TENSION DE LA CHAÎNE AVANT DE PARTIR. SI LA CHAÎNE EST TROP TENDUE, ELLE PEUT ENDOMMAGER LE MOTEUR. SI LA CHAÎNE EST TROP SERRÉE, ELLE PEUT ENDOMMAGER LE MOTEUR. SI LA CHAÎNE EST TROP SERRÉE, ELLE PEUT ENDOMMAGER LE MOTEUR. SI LA CHAÎNE EST TROP SERRÉE, ELLE PEUT ENDOMMAGER LE MOTEUR.



TIRE INFORMATION - PNEUS


NE PAS OUBLIER DE VÉRIFIER LA PRESSION DES PNEUS AVANT DE PARTIR. SI LA PRESSION EST TROP BASSE, ELLE PEUT ENDOMMAGER LE PNEU ET LE MOTEUR. SI LA PRESSION EST TROP HAUTE, ELLE PEUT ENDOMMAGER LE PNEU ET LE MOTEUR.

NE PAS OUBLIER DE VÉRIFIER LA PRESSION DES PNEUS AVANT DE PARTIR. SI LA PRESSION EST TROP BASSE, ELLE PEUT ENDOMMAGER LE PNEU ET LE MOTEUR. SI LA PRESSION EST TROP HAUTE, ELLE PEUT ENDOMMAGER LE PNEU ET LE MOTEUR.

WARNING - IMPORTANT

BEFORE OPERATING THIS VEHICLE, YOU MUST CHECK THE ENGINE OIL LEVEL.

AVANT DE DÉMARRER LE VÉHICULE, VÉRIFIER LE NIVEAU D'HUILE MOTEUR.



WARNING - AVERTISSEMENT

NE PAS OUBLIER DE VÉRIFIER LA PRESSION DES PNEUS AVANT DE PARTIR. SI LA PRESSION EST TROP BASSE, ELLE PEUT ENDOMMAGER LE PNEU ET LE MOTEUR. SI LA PRESSION EST TROP HAUTE, ELLE PEUT ENDOMMAGER LE PNEU ET LE MOTEUR.

NE PAS OUBLIER DE VÉRIFIER LA PRESSION DES PNEUS AVANT DE PARTIR. SI LA PRESSION EST TROP BASSE, ELLE PEUT ENDOMMAGER LE PNEU ET LE MOTEUR. SI LA PRESSION EST TROP HAUTE, ELLE PEUT ENDOMMAGER LE PNEU ET LE MOTEUR.



NE PAS OUBLIER DE FAIRE LES RESERVES D'USAGES AUPRES DU TRANSPORTEUR A RECEPTION DES COLIS SUR LE BON DE LIVRAISON.

PLEASE CHECK THE CONDITION OF CRATE AT RECEIPT OF GOODS. ANY DAMAGE SHOULD BE NOTED ON THE CONNOTE WITH THE FREIGHT CARRIER.

WARNING - AVERTISSEMENT

WARNING: THE SHOCK ABSORBER IS NOT LOCKED.

ATTENTION: LA VIS DE L'AMORTISSEUR N'EST PAS SERRÉE.

