

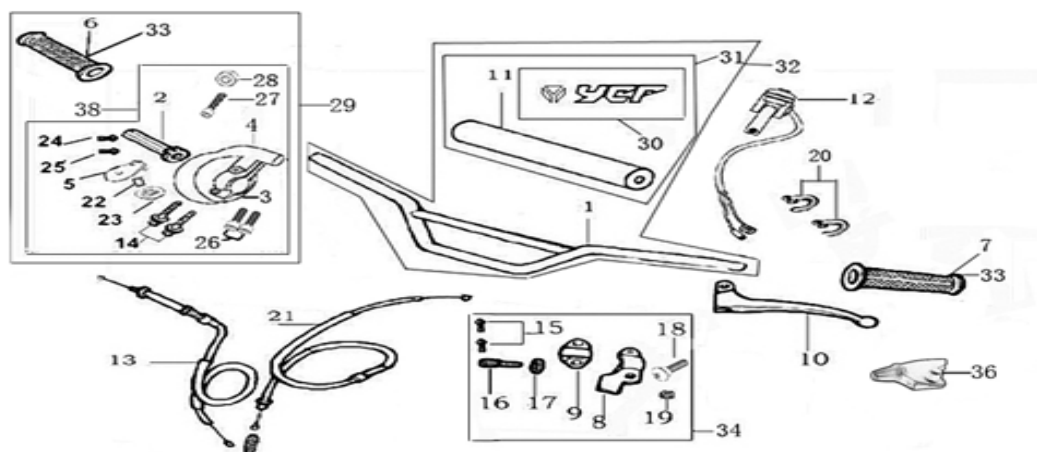


YCF-Racing.com

PILOT F150



Handle bar assembly

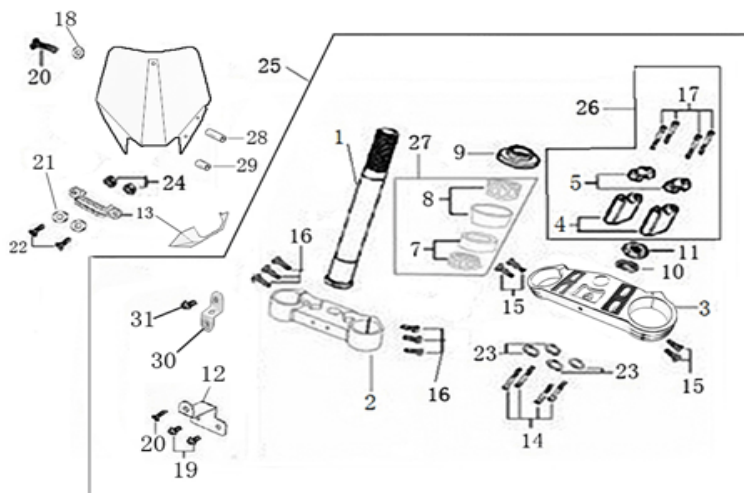


N°	Ref.	Description	Français	Qty/ Bike	MODEL
1	YC110-0101	Handle Bar START Chromelly L=740mm	Guidon chromolly START L=740mm	1	F88L17/F88s12-17/F88se1617/F125L1617/F150L17/F12512-16/F125s12-17/F125se1617/SM125s12-17 / P88s13-15/P12513-17/P15013-17
2	YC110-01021-01	YCF Throttle Body 2012 BLACK	plastique poignée de gaz YCF 2012 NOIR	1	ALL BIKES 2012-2017
3	YC110-01021-05	Lower Throttle Body Housing 2014	dessous poignée gaz 2014	1	P15014-117/SM15014-17/SP114-17/SP214-17/SP314-17
4	YC110-01021-03	Upper Throttle Body Housing YCF 2012	dessus poignée gaz YCF 2012	1	ALL BIKES 2012-2017
5	YC110-01021-02	Upper Throttle Body Housing Cover YCF 2012	plastique du dessus poignée gaz YCF 2012	1	ALL BIKES 2012-2017
6	YC110-01-01-GY	YCF Right Grip GREY	poignée caoutchouc droite YCF GRISE	1	ALL BIKES 2012-2017
7	YC110-01-02-GY	YCF Left Grip GREY	poignée caoutchouc gauche YCF GRISE	1	ALL BIKES 2012-2017
8	YC110-0108-05	Clutch upper bracket 2014 SILVER	cocotte basse embrayage 2014 SILVER	1	F125L1617/F150L17/F12514-17/P12514-17/P15014-17/SM15014-17/SP114-17/SP214-17/SP314-17

9	YC110-0109-05	Clutch lower bracket 2014 SILVER	demi cocotte embrayage 2014 SILVER	1	F125L1617/F150L17/F12514-17/P12514-17/P15014-17/SM15014-17/SP114-17/SP214-17/SP314-17
	FB13-8×10×8-Cu	Clutch lever bushing $\Phi 8 \times \Phi 10 \times 8.1$ mm copper	entretoise levier embrayage $\Phi 8 \times \Phi 10 \times 8.1$ mm	1	F125L1617/F150L17/F12514-17/P12514-17/P15014-17/SM15014-17/SP114-17/SP214-17/SP314-17
10	YC110-0103-03	Clutch lever 2014 (with FB13- $\Phi 8 \times \Phi 10 \times 6$ -Cu IEA+FB13- $\Phi 8 \times \Phi 10 \times 8$ -Cu IEA)	levier embrayage 2014	1	F125L1617/F150L17/F12514-17/P12514-17/P15014-17/SM15014-17/SP114-17/SP214-17/SP314-17
11	YC110-0110-01	Bar pad for Chromolly Handlebar L=250mm	Mousse guidon pour guidon Chromolly L=250mm	1	F88L17/F88s12-17/F88se15-17/F125L1617/F150L17/F12512-16/F125s12-17/F125se15-17/F88s13-15/P12513-17/P15012-17/SM125s12-17
12	YC110-0105-11	Kill Switch ON/OFF Waterproof 2017	Coupe circuit on off ETANCHE 2017	1	ALL BIKES2017 (BUT50A/50E/SP3/FD190MX)
13	YC110-0106	Throttle Cable L=840mm A+B=125	Cable gaz L=840mm A+B=125	1	ALL BIKES2012-2017(BUT50/F88s/F88se/LITE)
	YC110-0143-01	Rubber for throttle cable	Caoutchouc pour cable de gas	1	ALL BIKES2017 (BUT50E)
14	GB5787-M6×22-G	Hex. Bolt with Flanged Face M6X22	vis M6X22	2	ALL BIKES2012-17(BUT50A)
15	GB5787-M6×20-G	Hex. Bolt with Flanged Face M6X20	vis M6X20	2	F125L1617/F12512-16/P12514-17/P15014-17/SM15012-17/SP112-17/SP212-17/SP312-17
16	YC110-0103-04	Clutch Adjust bolt M7×18mm	Tendeur cocotte embrayage M7×18mm	1	F125L1617/F12512-16/P12514-17/P15014-17/SM15012-17/SP112-17/SP212-17/SP312-17
17	YC110-0117	Clutch Tight Nut M7	ecrou cocotte embrayage M7	1	F125L1617/F12512-16/P12514-17/P15014-17/SM15012-17/SP112-17/SP212-17/SP312-17
18	27-06022B	Clutch Stepped bolt M6X22	vis cloche embrayage M6X22	1	F125L1617/F12512-16/P12514-17/P15014-17/SM15012-17/SP112-17/SP212-17/SP312-17
19	6183-06000B	Clutch Self-lock Nut M6	ecrou cloche embrayage M6	1	F125L1617/F12512-16/P12514-17/P15014-17/SM15012-17/SP112-17/SP212-17/SP312-17
20	YC110-01-03-BK	Tape 150mm BLACK	colier maintien cable 150mm NOIR	2	ALL BIKES
20	YC110-01-03-WH	Tape 150mm WHITE	colier maintien cable 150mm BLANC	2	ALL BIKES
20	YC110-01-05-BK	Tape 350mm BLACK	colier maintien cable 350mm NOIR	5	ALL BIKES
21	YC110-0107	Clutch Cable Assy. L=900mm A+B=93mm	cable embrayage L=900mm A+B=93mm	1	RSP12/CP12/FP12/P15013-17/SP313
22	YC110-0102-08	YCF Throttle cable Bearing $\Phi 8 \times \Phi 16 \times 5$ mm	Roulement poignee gas YCF $\Phi 8 \times \Phi 16 \times 5$ mm	1	ALL BIKES2012-2017

23	YC110-0102-07	YCF Throttle cable guide pulley plastic Φ12×Φ16×Φ28×8mm	Roulette plastique Poignee Gas YCF Φ12×Φ16×Φ28×8mm	1	ALL BIKES2012-2017
24	GB819-M4×12	Plus screw M4×12	vis M4×12	1	ALL BIKES2012-2017
25	GB819-M4×20	Plus screw M4×20	vis M4×20	1	ALL BIKES2012-2017
26	GB70-M6×20-B	Hex. Bolt M6x20 BLACK	vis M6x20 NOIR	2	ALL BIKES2012-2017
27	GB70-M5×12	Hex. Bolt M5×12	vis M5×12	1	ALL BIKES2012-2017(BUT50A)
30	YC110-012021-BK	PVC for Bar Pad suitable Chromolly Handlebar 246mm×156mm 2013 BLACK	PVC mousse guidon Chromolly 246mm×156mm 2013 NOIR	1	F88s12-16/F88se15-17/F125L1617/F12512-16/F125s12-17/F125se15-17/P88s13-15/P12513-17/P15012-17/SM125s12-17
31	YC110-0132BK	Complete Bar Pad for Chromolly Handlebar L=250mm 2013 BLACK	Mousse guidon complete pour guidon Chromolly L=250mm 2013 NOIR	1	F88s12-17/F88se15-17/F125L1617/F12512-16/F125s12-17/F125se15-17/P88s13-15/P12513-17/P15012-17/SM125s12-17
32	GA02-BK	Chromelly Handle Bar with bar pad and pvc START / PILOT / SM125s 2013	Guidon chromolly complet avec Mousse et Pvc START / PILOT / SM125s 2013	1	F88s12-17/F88se15-17/F125L1617/F12512-16/F125s12-17/F125se15-17/P88s13-15/P12513-17/P15012-17/SM125s12-17
33	PPC010-GY	YCF set of grip GREY	Paire de poignée caoutchouc YCF GRISE	1	ALL BIKES2012-2017
34	YC110-0126-01	Clutch bracket Assy. 2014 SILVER	Cocotte embrayage complete 2014 SILVER	1	F125L1617/F12514-17/P12514-17/P15014-17/SM15014-17/SP114-17/SP214-17/SP314-17
35	YC110-0134-02	Cnc adjustable bracket with lever 2014 SILVER	Cocotte CNC reglage rapide avec levier embrayage 2014 SILVER	1	F125L1617/F12514-17/P12514-17/P15014-17/SM15014-17/SP114-17/SP214-17/SP314-17
36	YC110-0103-10	rubber on clutch lever	caoutchouc levier embrayage	1	F125L1617/F12514-17/P12514-17/P15014-17/SM15014-17/SP114-17/SP214-17/SP314-17
38	YC110-01022-N	YCF Throttle Assy. 2014 without grip (with YC110-0102-08 1EA)	Poignee gaz reglable YCF 2014 nue	1	P1251617/P15014-17/SM15014-17/SP114-17/SP214-17/SP314-17

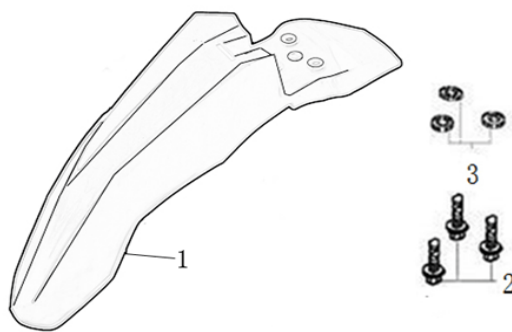
Steering stem assembly



N	Ref.	Description	Français	Qty/ Bike	MODEL
1	YC110-0201-03	Steering stem 233 mm	tige colonne direction 233 mm	1	ALL BIKES2012-17(BUT50A/F88s/F88se/LITE)
2	YC110-0202-39-GY	Lower triple clamp 160 mm ϕ 48mm 2014 MATT GERY	té fourche inférieur 160 mm ϕ 48mm GRIS MAT	1	P88s1415/P12514-17/P15014-17/SM15014
3	YC110-0201-39-GY	Top Triple Clamp 160mm ϕ 45mm (not adjustable) MATT GERY	té fourche supérieur 160 ϕ 45mmmm (non ajustable) GRIS MAT	1	P88s14-16/P12514-17/P15014-17/SM15014
4	YC110-0203-23	Lower Bar Mount CNC START type, not adjustable ϕ 22.2 / height 55 mm BLACK	Pontet guidon inférieur non ajustable type START ϕ 22.2 / hauteur 55 mm NOIR	2	ALL BIKES2012-2017(BUT50A/SP)
5	YC110-0202-04	Top Bar Mout CNC Φ 22.2 mm/height 18mm START Type BLACK	pontet guidon supérieur Φ 22.2 mm Type START NOIR	2	ALL BIKES2013-17 (BUTSP3/BIGYFD190MX)
6	YC110-0212-07RD	Front Number Plate 2014 RED	PLAQUE AVANT 2014 ROUGE	1	P15017/SM15017
7	297-46/23.5	Lower Taper roller bearing 46/23.5	roulement inférieur 46/23.5	1	ALL BIKES2012-17(BUT50A/F88s/F88se/LITE)
8	297-46/22	Top Taper roller bearing 46/22	roulement supérieur 46/22	1	ALL BIKES2012-17(BUT50A/F88s/F88se/LITE)
9	YC110-02-09	Top nut for steering ϕ 52	écrou crantellé colonne direction ϕ 52	1	ALL BIKES2012-2017
10	YC110-02-10	Washer for steering stem nut Φ 22.5 \times Φ 36 \times 0.7	joint colonne direction Φ 22.5 \times Φ 36 \times 0.7	3	ALL BIKES2012-2017
11	YC110-02-11	Nut for steering stem M22	écrou supérieur colnne direction M22	1	ALL BIKES2012-2017
13	YC110-0214-01-WH	Break Line Retainer 2014 White (with GB9074.5-M4 \times 10-W 1EA)	guide durite sur plaque avant 2014 Blanc	1	ALL BIKES2014-2016(BUT50A/F88s/F88se/P88s/F125L)/ALL BIKES 2017 (BUT50A/F88s/F88se/P88s/F88L)
14	GB70-M8 \times 30	Stud screw M8X30	vis M8X30	4	ALL BIKES2012-17 (BUT50A)
15	GB70-M6 \times 25	Stud screw M6X25	vis M6X25	4	ALL BIKES2012-17 (BUT50A)
16	GB70-M6 \times 25	Stud screw M6X25	vis M6X25	4	ALL BIKES2012-17 (BUT50A)
17	GB70-M8 \times 25	Stud screw M8X25	vis M8X25	4	50A12-17

18	GB97-Φ6-W	flat washer φ6	rondelle φ6	1	ALL BIKES 2012-17
19	GB5787-M6×16-W	Hex. Bolt with Flanged Face M6X16	vis M6X16	2	ALL BIKES2012-2017
21	GB97-Φ4-W	flat washer φ4	rondelle φ4	1	ALL BIKES2012-17
22	GB818-M4×10-W	Plus screw M4×10	vis M4×10	1	ALL BIKES2012-17
23	GB93-Φ8-W	Spring washer Φ8mm	rondelle Φ8mm	4	ALL BIKES2012-17
25	YC110-02-041-GY	Complete Triple Clamp (TOP45 / BOTTOM 48) START Type 2014 MATT GERY	Te Fourche Complet (TE SUP. 45 / TE INF.48 Type START 2014 GRIS MAT	1	P12514-17/P15014-17/SM15014
26	YC110-0203-05	Set of Bar mount not adjustable φ22.2mm/bottom 55mm START Type BLACK (with GB70-M8×25 4EA+GB70-M8×30 4EA+GB93-Φ8-W 4EA)	jeu pontet guidon non ajustable φ 22.2mm / pontet bas 55mm Type START NOIR	1	ALL BIKES2012-2017(BUT50A/SP)
27	KRDIRECTION46	set of bearing for steering 46/23.5、46/22	kit rlt colonne direction 46/23.5、46/22	1	ALL BIKES2012-17(BUT50CC/F88s/F88se /F125L)
30	YC110-0213-08	Number plate bracket 2014	support plaque avant 2014	1	ALL BIKES2014-2017(BUT50A/F88s/F88se /F88s/LITE)
31	GB5787-M6×16-W	Hex. Bolt M6X16	vis M6×16	1	ALL BIKES2012-2017
32	YC110-02-20	Washer for steering stem nut	joint colonne direction	1	ALL BIKES2015-2017 (But50A/F88s/F88se/LITE)

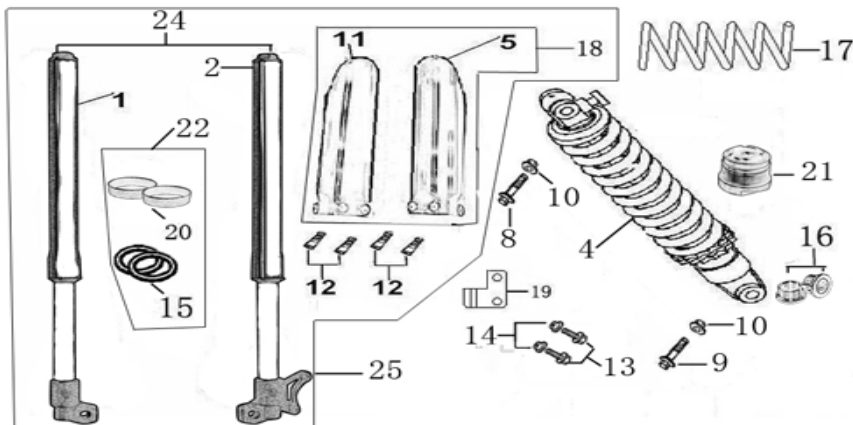
Front Fender



N	Ref.	Description	Français	Qty/ Bike	MODEL
1	YC110-032-01RD	YCF Front Fender 2014 RED	GARDE BOUE AVANT 2014 ROUGE	1	P15017/SM15017
2	GB5787-M6×20-W	Hex. Bolt with flanged M6X20	vis M6X20	3	ALL BIKES
3	GB96-Φ6-W	Washer φ6×φ18mm	Rondelle φ6×φ18mm	3	ALL BIKES

3	YC110-03-01	Rubber washer $\Phi 6 \times \Phi 18 \times 4 \text{mm}$	caoutchouc $\Phi 6 \times \Phi 18 \times 4 \text{mm}$	3	ALL BIKES
---	-------------	--	---	---	-----------

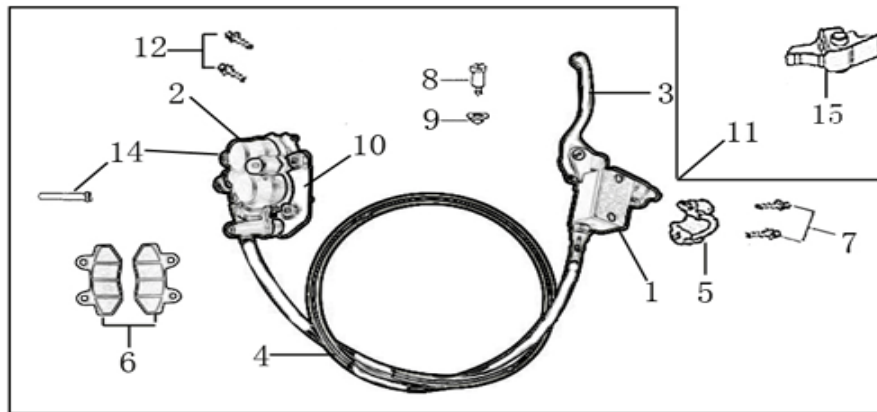
Front & Rear absorber



N	Ref.	Description	Français	Qty/ Bike	MODEL
1	YC110-0401-11	Front right fork 735mm (not adjustable) GREY	Tube fourche droit 735mm GRIS	1	P12515-17/P15013-17/SM15013-17
1	YC110-0402-20	Front left fork 735mm (not adjustable) GREY 2016	Tube fourche gauche 735mm GRIS 2016	1	P1251617/P1501617/SM1501617
4	YC110-0404-17	Shock absorber PILOT 310mm×800lbs YELLOW	Amortisseur PILOT 310mm×800lbs JAUNE	1	P88s13-15/P12513-17/P15013-17/SM15013-17
4	YC110-0422-02	Stick for Shock absorber L=232mm	Tube Acier mou maintient moto dans caisse L=232mm	1	P12515-17/P15013-17/SM15013-17
5	YC110-04-015-BK	YCF Left front fork protection 735mm BLACK	Protection fourche YCF gauche 735 mm NOIR	1	P1251617/P1501617/SM1501617/SP1617
8	GB5787-M12×45-W	Hex. Bolt with flanged M12X45	vis M12X45	1	P88s13-16/P12513-17/P15013-17/SM15013-17/SP113-17/SP213-17/SP313-17
9	GB5787-M12×45-W	Hex. Bolt with flanged M12X45	vis M12X45	1	P88s13-16/P12513-17/P15013-17/SM15013-17/SP113-17/SP213-17/SP313-17
10	GB6187-M12-W	Self-locking Nut M12	écrou M12	2	ALL BIKES2012-2017(BUT50A)
11	YC110-04-024-BK	YCF Right front fork protection 735 mm BLACK	Protection fourche droite YCF 735 mm NOIR	1	P1251617/P1501617/SM1501617/SP1617
12	GB5787-M6×12-W	Plus screw M6X12	vis M6X12	4	P88s13-15/P12513-17/P15013-17/SP13-17/SM15013-17
13	GB5787-M6×16-W	Plus screw M6X16	vis M6X16	2	ALL BIKES2013-17(BUT50A)
14	GB6170-M6-W	Nut M6	ecrou M6	2	P1251617/P1501617/SP1617/SM1501617
16	YC110-0419	shock spacer $\phi 12$ mm for mono swing arm	entretoise amortisseur $\phi 12$ mm mono bas et haut identique	2	P88s13-17/P88s13-17/F125L1617/F12512-17/F125s12-17/F125se15-17/P12514-17/P15014-17/SM12-

16	YC110-0417-02	shock top spacer ϕ 12 mm for mono swing arm	Entretoise amortisseur ϕ 12 mm mono bas et haut identique	2	P88s13-15/P12513-17/P15013-17/SM15013-17/BIGY125MX17/150MX17
18	PFYCF12-BK	YCF set of fork protection 735mm 2012 black	jeu protection fourche YCF noir	1	P1251617/P1501617/SM1501617/SP1617
19	YC110-0403-05	oil steel line retainer on left front fork 2016	passer durite sur protection fourche gauche 2016	1	P1251617/P1501617/SP1617/SM1501617/BIGY2017
24	YC110-0400-20	Pair of fork 735mm (not adjustable) GREY 2016	Jeu de fourche 735mm GRIS 2016	1	P1251617/P1501617/SM1501617

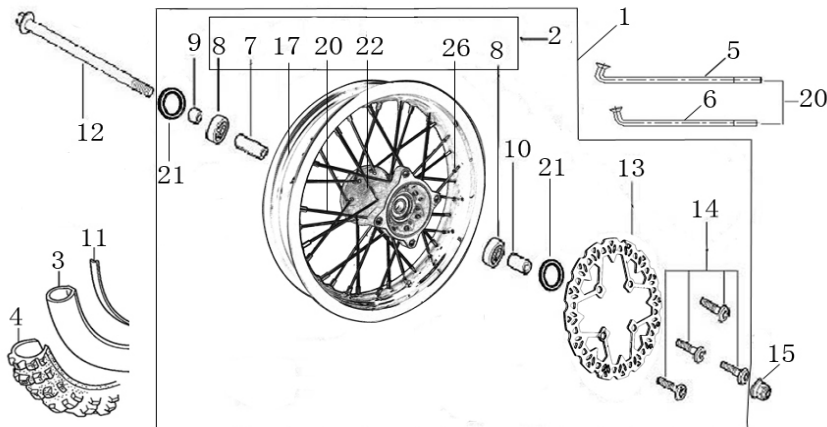
Front Brake Assy



N	Ref.	Description	Français	Qty/ Bike	MODEL
1	YC110-0501-0104	Front Brake Reservoir for 2 pump Φ 10 2016	maître cylindre frein avant pour étrier 2 pistons Φ 10 2016	1	P1251617/P1501617/SP1617/SM1501617
2	YC110-0501-0205	Front Brake caliper for 2 pump w/t abestos	étrier frein avant double pistons sans amiante	1	ALL BIKES2012-15 (BUT50A/F88s/F88se) / F12516/F125s1617/F125se1617/P1251617/P1501617/SP11617/SM1617
3	YC110-0501-014	Front brake lever 2014 With notch	LEVIER FREIN 2014	1	ALL BIKES2014-17(BUT50A)
4	YC110-0501-0313	Front brake steel line L=1110mm Φ 10/ Φ 10 BLACK 2016	durite frein avant L=1110mm Φ 10/ Φ 10 NOIR 2016	1	P1251617/P1501617/SM1501617/SP11617/SP21617
5	YC110-0501-022	Brake perch bracket for double pump	demi cocotte frein avant pour frein double pistons	1	ALL BIKES2012-17(BUT50A)
6	YC110-0501-0403	Front Brake pads for double pump brake with copper substrate	jeu plaquette frein avant pour frein 2 pistons SANS AMIANTE	2	ALL BIKES2012-15 (BUT50A/F88s/F88se) / F12516/F125s1617/F125se1617/P1251617/P1501617/SP11617/SM1617
7	GB5787-M6 \times 22-G	Hex.bolt with flanged M6X22	vis M6X22	2	ALL BIKES2012-17(BUT50A)
8	HB06-M6 \times 25-G	Hex.bolt with flanged M6X25	vis M6X25	1	ALL BIKES2012-17(BUT50A)

9	GB6177-M6-G	Self-locking nut M6	écrou M6	1	ALL BIKES2012-17(BUT50A)
10	YC110-0501-030	Bracket for front brake 2 pumps	patte frein avant etrier 2 pistons	1	ALL BIKES2012-15 (BUT50A/F88s/F88se) /F88L17/F125L1617/F150L17/F12516/F125s1617/F125se1617/P1251617/P1501617/SP11617/SM1617
11	YC110-0501-19	front brake assy 2 pumps L=1110mm Φ10/10 w/t abestos 2016	kit frein avant 2 pistons avec gaine plastic noire L=1110mm Φ10/10 sans amiante 2016	1	P1251617/P1501617/SM1501617/SP11617
14	YC110-0555	caliper screw for front brake L=50mm Army green	vis plaquette frein avant L=50mm	2	ALL BIKES2012-15 (BUT50A/F88s/F88se) /F12516/F125s1617/F125se1617/P1251617/P1501617/SP11617/SM1617
15	YC110-0502-01	rubber for brake lever	caoutchouc levier frein avant	1	ALL BIKES2014-17(BUT50A)

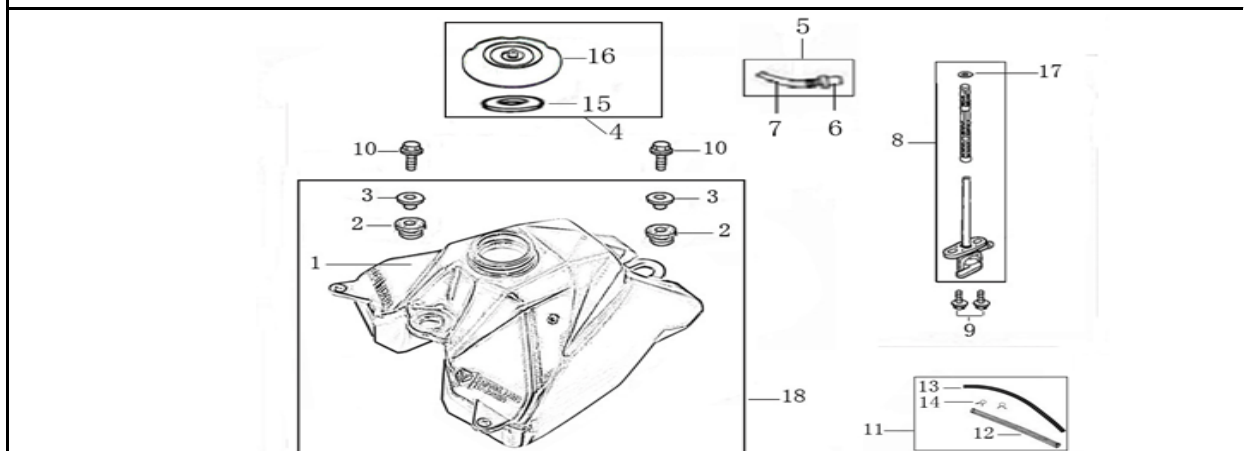
Front Wheel Assy



N	Ref.	Description	Français	Qty/ Bike	MODEL
1	YC110-0601-5D	Complete STEEL Front wheel 1.4x14' with disk 2016. Casting hub	roue avant complète ACIER 1.4x14' moyeux injecte avec disque	1	F1251617/F125s1617/F125se1617/P1251617/P1501617
2	YC110-0602-51	Complete STEEL Front wheel 1.4x14' without disk. Casting hub	roue avant complète ACIER 1.4x14' moyeux injecte sans disque	1	F125L1617/F150L17/F12512-16/F125s12-17/F125se1617/P12513-17/P15013-17/SP112-15
3	CHAMBRE14	Tube for front tire 60/100-14' GL	chambre air 14' GL	1	F125L1617/F150L17//F12512-16/F125s12-17/F125se15-17/P12513-17/P15013-17/SP13-17
	FB6170-M8-Cr	Tire valve nut M8	Ecrou M8 pour chambre a air	1	ALL BIKES
4	60/100/14	Front tyre 60/100/14' GUANGLI	pneu 60/100/14' GUANGLI	1	F125L1617/F12512-16/F125s12-17/F125se15-17/P12513-17/P15013-17/SP112-17
7	YC110-0601-02	Front axle bushing Φ16×Φ22×44	entretoise central roue avant Φ16×Φ22×44	1	ALL BIKES2013-15(BUT50A)/ALL BIKES2017(BUT50A/SP2/SP3)
8	96140-6202-2Z	Ball bearing 6202-2Z Φ35×Φ15×11	roulement roue 6202-2Z Φ35×Φ15×11	2	ALL BIKES2012-2015 (BUT50A) /ALL BIKES2016-17 (BUT50A/SP2/SP3)

9	YC110-06-047	Front wheel spacer right $\phi 15 \times \Phi 22 \times 23$ mm with STEP 2015	entretoise roue avant droite $\phi 15 \times \Phi 22 \times 23$ mm	1	ALL BIKES2015(BUT50A)/ALL BIKES2016-17 (BUT50A/SP2/SP3/LITE)
10	YC110-06-052	Front wheel spacer left $\phi 15 \times \Phi 22 \times 33$ mm	entretoise roue avant gauche $\phi 15 \times \Phi 22 \times 33$ mm	1	ALL BIKES2012-2015 (BUT50A)/ALL BIKES2016-17(BUT50A/SP2/SP3)
11	YC110-06-01	tire lining for 1.4x14'	fond jante av 14'	1	F125L1617/F150L17/F12512-16/F125s12-17/F125se15-17/P12513-17/P15013-17/SP12-17
12	YC110-06-061	Front Axle 215 mm with Self-locking nut M14 for Marzocchi style fork	axe de roue avant L=215 mm marzochci avec ecrou M14	1	ALLBIKES2013-17(BUT50A/SM)
13	YC110-0513-02	Front disk $\phi 220$ mm 2016	disque frein avant $\phi 220$ mm 2016	1	ALL BIKES 2016-17(BUT50A/F88s/F88se/F88L)
14	GB70.2-M8x16	Screw for disk M8X16	vis disque frein M8X16	4	ALL BIKES2016-17 (BUT50A)
15	GB6187-M14-W	Self-locking nut M14	écrou roue avant M14	1	ALL BIKES2012-17(BUT50A)
17	YC110-0601-01	STEEL Rim for Front wheel 1.4x14'	cerceau roue av 1,4x14' ACIER	1	F125L1617/F12512-16/F125s12-17/F125se15-17/P12513-17/P15013-17/SP12-17
20	JR14-14.5	set of front spoke 14' (147mmx32)	Jeu rayon avant 14' (147mmx32)	1	F125L1617/F150L17/F12512-16/F125s12-17/F125se15-17/P12512-17/P15013-17/SP12-17
21	YC110-0611	OIL SEAL $\Phi 23 \times \Phi 35 \times 5$	joint spy roue $\Phi 23 \times \Phi 35 \times 5$	2	ALL BIKES2013-17(BUT50A)
22	YC110-0622-02	Front hub casting with oil seal	moyeux avant injectée avec joint spy	1	ALL BIKES2012-15 (BUT50A/SPII/SPIII)/ALL BIKES 2016-17(BUT50A/SP/BIGY)

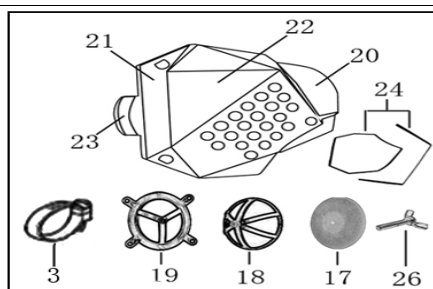
Fuel Tank



N	Ref.	Description	Français	Qty/ Bike	MODEL
1	YC110-0701-01	YCF Fuel tank with YC110-1910 1EA (suitable for pre 2013 bikes)	Reservoir YCF (Adaptable pour motos avant 2013)	1	ALL BIKES2013-17 (BUT50A)

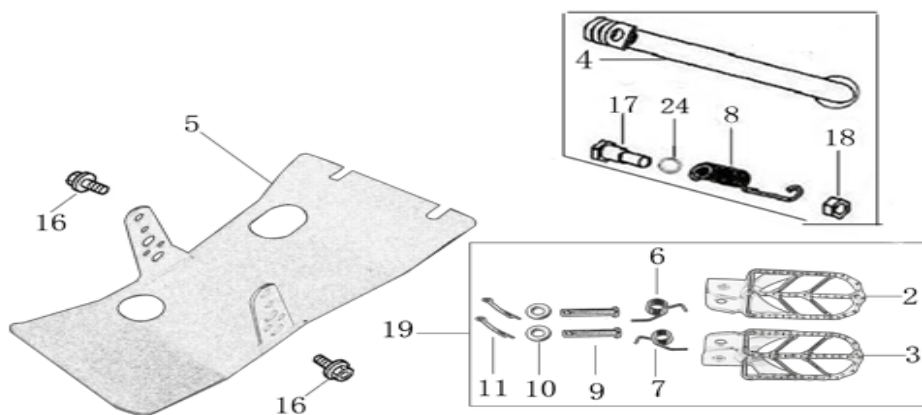
2	YC110-07-01	Cushion for fuel tank	caoutchouc pour reservoir	2	ALL BIKES2011-17
3	YC110-07-02	Washer for fuel tank $\Phi 12 \times \Phi 30 \times 11 \text{mm}$	entretoise pour reservoir $\Phi 12 \times \Phi 30 \times 11 \text{mm}$	2	ALL BIKES2011-17
4	YC110-0702-01	YCF Tank cap plastic 2013	Bouchon reservoir plastique YCF 2013	1	ALL BIKES2013-17
5	YC125-0704-BK	Fuel tank valve BLACK	Valve prise air NOIR	1	ALL BIKES
6	YC110-0704-BK	Cap of Fuel tank valve BLACK	Capuchon Valve prise air NOIR	1	ALL BIKES
7	YC110-0705-BK	Fuel tank valve Hose L=40mm BLACK	Durite caoutchouc Vale prise air L=40mm NOIRE	1	ALL BIKES
8	YC110-0703	Fuel cock assy.	robinet essence	1	ALL BIKES
9	GB5787-M6x16-W	Hex. Bolt with flanged M6X16	vis M6X16	2	ALL BIKES
10	GB5787-M8x30-B	screw M8X30 BLACK	vis M8x30 NOIR	2	P88s13-15/P12513-17/P15013-17/SM15013-17/SP13-17
11	YC110-0706	fuel tank rubber line + spring $\Phi 4.5 \times \Phi 8.5 \times 210 \text{mm}$	durite reservoir avec ressort $\Phi 4.5 \times \Phi 8.5 \times 210 \text{mm}$	1	ALL BIKES
12	YC110-07061	fuel tank lspring L=180mm	ressort durite reservoir L=180mm	1	ALL BIKES
13	YC110-07062	fuel tank rubber line $\Phi 4.5 \times \Phi 8.5 \times 210$	durite reservoir $\Phi 4.5 \times \Phi 8.5 \times 210$	1	ALL BIKES
14	YC110-07063	Holding ring	collier FILTRE	2	ALL BIKES
15	YC110-0720-02	Rubber mat for tank cap plastic $\Phi 14 \times \Phi 52 \times 2 \text{mm}$ Oil proof	Caoutchouc bouchon reservoir YCF $\Phi 14 \times \Phi 52 \times 2 \text{mm}$	1	ALL BIKES2013-17
17	YC110-0717	O-RING, $\Phi 11 \times 3 \text{mm}$ For Fuel tank	Joint Thorique $\Phi 11 \times 3 \text{mm}$ pour Reservoir	1	ALL BIKES2013-17 (BUT50A/50E)
18	YC110-0718	YCF Complete fuel tank suitable for pre 2013 bikes (with YC110-07-01 2EA+YC110-07-02 2EA+YC110-1910 1EA)	Reservoir complet YCF 2013 (Adaptable pour motos avant 2013)	1	ALL BIKES2013-17 (BUT50A/50E)

Air Filter



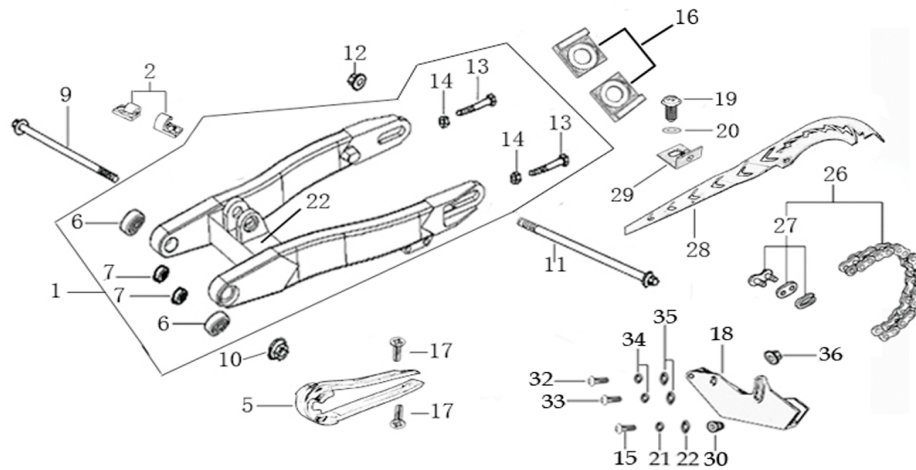
N	Ref.	Description	Français	Qty/ Bike	MODEL
1	YC110-0801-07	Air box assy Pilot 2015	Boite a air complete Pilot 2015	1	P1251617/P1501617/ SM1501617
3	YC110-0805	Holding ring φ27-φ51mm	collier Filtre φ27-φ51mm	1	F88s12-16/F88se15- 17/F88L17/F125L17/ F12512-16/F125s12- 17/F125se15-17/SP12
17	YC110-08-011	YCF Air filter Foam	Mousse filtre a air YCF	1	P1251617/P1501617/ SP12- 17/SM1501617/BIGY 2017
18	YC110-08-012	Top support for YCF air filter foam	support exterieur pour mousse filtre a air YCF	1	P1251617/P1501617/ SP12- 17/SM1501617/BIGY 2017
19	YC110-08-013	Inside support for YCF air filter foam	support interieur pour mousse filtre a air YCF	1	P1251617/P1501617/ SP12- 17/SM1501617/BIGY 2017
20	YC110-0820-02	Rear part of Pilot 2015 air box	Boitie arriere boite a air Pilot 2015	1	P1251617/P150161 7/SM1501617
21	YC110-0821-02	Front case of Pilot 2015 air box	Boitie avant boite a air Pilot 2015	1	P1251617/P150161 7/SM1501617
22	YC110-0822-02	Cover with logo of Pilot 2015 air box	Couvercle cote boite a air YCF avec logo Pilot 2015	1	P1251617/P150161 7/SM1501617
23	YC110-08-0173	Rubber link between air box and carb for P150 2015 air box Φ40mm	Manchon boite a air P150 2015 φ 40 mm	1	P15015-17
25	YC110-0825-01	support of Air box PILOT 2015	Support Boit a Air Pilot	1	P1251617/P150161 7/SM1501617
26	GB62-M6×30-W	Butterfly screw M6×30	Vis M6x30	1	P1251617/P1501617/SM1 501617/SP13- 17/BIGY2017

Foot Peg assy



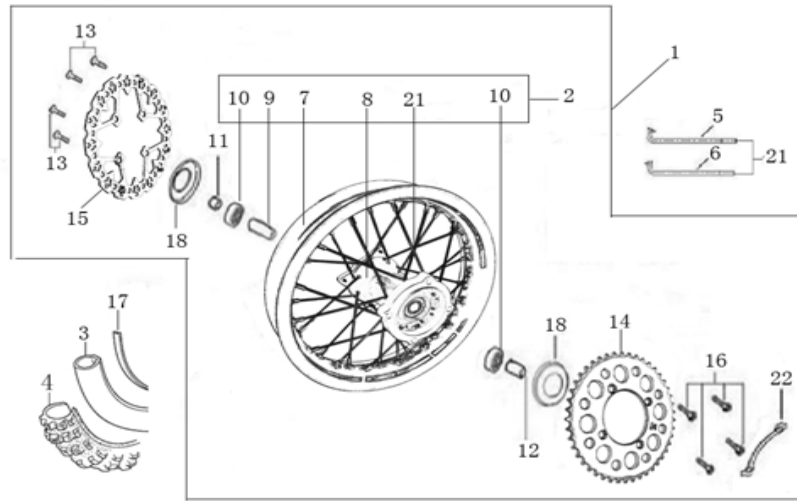
N	Ref.	Description	Français	Qty/ Bike	MODEL
2	YC110-0902-01	Right foot peg Steel START / PILOT 2013 GREY	Repose pied Acier droit START / PILOT 2013 GRIS	1	F88s13-16/F88se15- 17/F88L17//F125L1617/F 150L17/F12513- 16/F125s13-17/F125se15- 17/F88s13-15/P12513- 17/P15013-17/SM13-17

3	YC110-0903-01	Left foot peg Steel START / PILOT 2013 GREY	Repose pied Acier gauche START / PILOT 2013 GRIS	1	F88s13-16/F88se15-17/F88L17//F125L1617/F150L17/F12513-16/F125s13-17/F125se15-17/P88s13-15/P12513-17/P15013-17/SM13-17
4	YC110-196	Kick stand 280mm	bequille 280mm	1	F88L17/F125L1617/F150L17/F12513-16/F125s13-17/F125se15-17/P88s13-15/P12513-17/P15013-17/SM13-17
5	YC110-202-01	YCF Engine skid plate Steel START125 / PILOT /SM150 MATTE BLACK	Sabot moteur Acier YCF START125 / PILOT /SM150 NOIR MAT	1	F125L1617/F150L17//F12513-16 /P12513-17/P15013-17/SM15013-17
6	YC110-09-01	Spring for right steel foot peg $\Phi 1.5 \times \Phi 16.5 \times 10 \text{mm}$	ressort repose pied droit acier $\Phi 1.5 \times \Phi 16.5 \times 10 \text{mm}$	1	ALL BIKES2013-2017(BUTSP/BIGYF150MX/FD190MX)
7	YC110-09-02	Spring for left steel foot peg $\Phi 1.5 \times \Phi 16.5 \times 10 \text{mm}$	ressort repose pied gauche acier $\Phi 1.5 \times \Phi 16.5 \times 10 \text{mm}$	1	ALL BIKES2013-2017(BUTSP/BIGYF150MX/FD190MX)
8	YC110-19-01	spring for kick stand $\Phi 2.5 \times \Phi 15 \times 105$	ressort bequille $\Phi 2.5 \times \Phi 15 \times 105$	1	ALL BIKES2014-17(BUTSP1/SP2/SP3)
9	GB882- $\Phi 8 \times 43$ -W	shaft pin for steel footpegs $\phi 8 \times 43$	axe repose pied acier $\phi 8 \times 43$	2	ALL BIKES2014-17(BUT50A/50E/SP1/SP2/SP3)
10	GB97- $\Phi 8$ -W	flat washer $\phi 8 \times 16 \times 1$	rondelle $\phi 8 \times 16 \times 1$	2	ALL BIKES2011-17
11	GB91- $\Phi 2 \times 25$ -W	Cotter pin 2.0x25	goupille 2.0x25	2	ALL BIKES2013-17
16	GB5787-M6x16-W	screw M6X16 for skid plate	vis sabot M6X16	2	ALL BIKES2012-17(BUT50A)
17	FB02-M10x1.5x30I	Stepped screw M10X35 for kick stand	vis bequille M10X35	1	ALL BIKES2014-17(BUTSP1/SP2/SP3)
18	GB6170-M10-G	Hex. Nut M10	ecrou bequille M10	1	ALL BIKES2014-17(BUTSP1/SP2/SP3)
19	YC110-0902/10	Steel foot pegs set START / PILOT 2013 GREY	Jeu repose pied Acier START / PILOT 2013 GRIS	1	F88L17/F88s13-16/F88se15-17/F125L1617/F150L17/F12513-16/F125s13-17/F125se15-17/P88s13-15/P12513-17/P15013-17/SM13-17
24	GB93- $\Phi 10$ -W	Standard spring washer $\phi 10$	rondelle $\phi 10$	1	ALL BIKES2014-17(BUTSP1/SP2/SP3)
Swing Arm assy					



N	Ref.	Description	Français	Qty/ Bike	MODEL
1	YC110-1001-05	swing arm mono Steel 420mm 2015	bras oscillant acier mono Acier 420mm 2015	1	P12515-17/P15015-17/SM15015-17
6	6001/28-12-08	Swing arm bearing $\phi 28 \times \phi 12 \times 8 \text{mm}$	roulement bras oscillant $\phi 28 \times \phi 12 \times 8 \text{mm}$	2	ALL BIKES2009-17
7	YC110-1001-013	Spacer for swing arm $\Phi 12 \times \Phi 20 \times 11.5$	entretoise $\Phi 12 \times \Phi 20 \times 11.5$	2	F88L17/F88s12-16/F88se15-17/F125L1617/F150L17/F12512-16/F125s12-17/F125se15-17/F88s12-15/P12513-17/P15013-17/SM12-17/SP1617
13	GB5783-M8x40-W	Exterior hex. Bolt M8X40	vis tendeur chaine M8x40	2	ALL BIKES2012-17 (BUT50A)
14	FB6170-M8-W	Hex. Nut M8	ecrou tendeur chaine M8	2	ALL BIKES2012-17(BUT50A)
16	YC110-11-08	Block axle SILVER	Tendeur chaine SILVER	2	F88s12-16/F88se15-17/F125L16/F12512-16/F125s12-17/F125se15-17/F88s13-15/P12513-17/P15013-17/SM12-17/SP11617
5	YC110-10-025	Chain slider YCF Aluminium swing arm 420mm PU	patin chaine YCF long pour Bras oscillant Aluninium YCF 420mm PU	1	P12515-17/P15015-17/SP12-17/SM15015-17/BIFY2017
2	YC110-10-014-BK	Rear brake clip for BLACK	attache durite frein arriere NOIR	1	ALL BIKES2012-15(BUTSP1/SP2/SP3)/ALL BIKES2016-17 (BUTSP2/SP3)
17	GB819-M6x16-W	Plus screw M6X16	vis m6x16	5	ALL BIKES2015-17(BUTSP2/SP3/BIG YF150MX/FD190MX)
9	YC110-10-035	Swing arm shaft with self lock nut M12 L=240mm	axe bras oscillant $\phi 10$ avec ecrou M12 L=240mm	1	P88s13-15/P12513-17/P15013-17/SM15013-17/BIGY2017
10	GB6187-M12-W	Self locking nut M12	ecrou bras oscillant M12	1	ALL BIKES2012-17
24	FB13-20x13x120	Central spacer steel swing arm PILOT 2013	Entretoise centrale de bras oscillant acier PILOT 2013	1	F88s13-15/P12513-17/P15013-17/SM15013-17

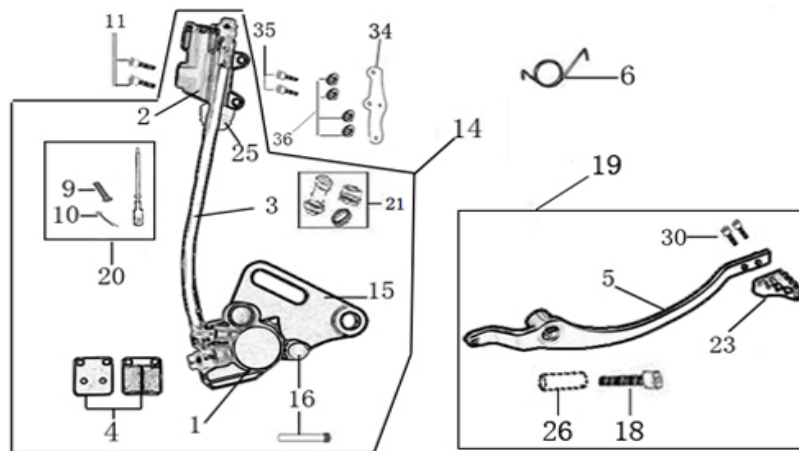
11	YC110-11-074	Rear wheel axle L=215mm with Self locking nut M14	axe roue arriere avec ecrou L=215mm avec ecrou M14	1	F88s13-16/F88se15-17/F125L16/F12513-16/F125s13-17/F125se15-17/F88s13-15/P12513-17/P15013-17/SP11617
12	GB6187-M14-W	Self locking nut M14	ecrou axe roue arriere M14	1	ALL BIKES2012-17 (BUT50A)
18	YC110-1004	YCF chain guide assy for High class range BLACK	guide chaine YCF pour haut de gamme NOIR	1	P12515-17/P15015-17/SP12-17/SM15015-17/BIFY2017
15	GB70.2-M5×16	Plus screw M5X16	vis M5X16	1	P12515-17/P15015-17/SP12-17/SM15015-17/BIFY2017
21	GB93-Φ5-W	Standard spring washer φ5	rondelle φ5	1	P12515-17/P15015-17/SP12-17/SM15015-17/BIFY2017
22	GB97-Φ5-W	Flat washer φ5	rondelle φ5	1	P12515-17/P15015-17/SP12-17/SM15015-17/BIFY2017
30	GB6100-M6-CW	nut M6×25mm	Vis M6×25mm	5	ALL BIKES2015-17(BUTSP2/SP3/BIG YF150MX/FD190MX)
32	GB70-M6×20	Stud screw M6X20	vis M6X20	1	P12515-17/P15015-17/SP12-17/SM15015-17
33	GB70-M6×25	Stud screw M6X25	vis M6X25	1	P12515-17/P15015-17/SP12-17/SM15015-17
34	GB93-Φ6-W	Standard spring washer φ6	rondelle φ6	2	P12515-17/P15015-17/SP12-17/SM15015-17
35	GB97-Φ6-W	Flat washer φ6	rondelle φ6	2	P12515-17/P15015-17/SP12-17/SM15015-17
36	GB6177-M6-W	Hex. Nut M6	ecrou tendeur chaine M6	1	ALL BIKES2013-15(BUT50A)/ALL BIKES2016-17(BUT50A/SP)
29	YC110-0600-02	Chain box protection support	Support Protection chaine plastique	1	ALL BIKES2012-2017(BUT50A)
29	YC110-0600-021	Chain box protection support	Support Protection chaine plastique	1	ALL BIKES2012-2017(BUT50A)
19	GB818-M6×12-W	Plus screw M6x12	vis M6x12	3	ALL BIKES2012-17(BUT50A)
20	GB97-Φ6	Flat washer φ6	rondelle φ6	3	ALL BIKES2012-17
26	420H-110T	Chain 420H-110T, normal	chaine 420 110 maillons standart	1	P12515-17/P15015-17/SM15015-17
27	AR-420	Chain link	Attache rapide chaine	1	All BIKES2012-17(BUT50E)
28	YC110-0600-01	Chain box protection	Protection chaine plastique	1	ALL BIKES2012-2015(BUT50A)/ALL BIKES2016-17(BUT50A/F88s/F88se/BIGY)
Rear Wheel Assy					



N	Ref.	Description	Français	Qty/ Bike	MODEL
1	YC110-1101-2F	Complete STEEL Rear wheel 1.85x12' with disk 2016. Casting hub	Roue arriere complète ACIER 1.85x12' moyeux injecte avec disque	1	F12516/F125s1617/F125se1617/P1251617/P1501617
2	YC110-1102-21	Complete STEEL Rear wheel 1.85x12' without disk. Casting hub	roue arriere complète ACIER 1.85x12' moyeux injecte sans disque	1	F125L1617/F150L17/F12512-16/F125s12-17/F125se15-17/P12513-17/P15013-17
3	CHAMBRE12	Tube for Rear tire 3.00-12' GL	chambre air 12' standard GL	1	ALL BIKES2012-2017(BUT50A/F88s/F88se/P88s)
	FB6170-M8-Cr	Tire valve nut M8	Ecrou M8 pour chambre a air	1	ALL BIKES
4	300/12	Rear tyre 80/100-12' GUANGLI	pneu arrière 80/100/12 GUANGLI	1	F125L1617/F150L17/F12512-16/F125s12-17/F125se1617/P12513-17/P15013-17/SP112-17
7	YC110-1101-012	STEEL Rim 1.85x12'	cerceau roue 1,85x12' ACIER	1	F125L1617/F150L17/F12512-16/F125s12-17/F125se15-17/P12513-17/P15013-17/SP112-17
8	YC110-1122-02	Rear wheel hub Casting with oil seal	moyeux arrière injectée avec joint spy	1	ALL BIKES2012-17 (BUT50A/SP/BIGY)
10	96140-6202-2Z	Ball bearing 6202-2Z $\Phi 35 \times \Phi 15 \times 11$	roulement roue 6202-2Z $\Phi 35 \times \Phi 15 \times 11$	2	ALL BIKES2012-2015 (BUT50A) /ALL BIKES2016-17 (BUT50A/SP2/SP3)
11	YC110-11-041	Rear wheel spacer right $\Phi 15 \times \Phi 22 \times 29$ mm	entretoise roue arriere droite $\Phi 15 \times \Phi 22 \times 29$ mm	1	F88s12-16/F88se15-17/F88L17/F125L1617/F150L17/F12512-16/F125s12-17/F125se15-17/P88s12-15/P12513-17/P15013-17/SM12-17/SP11617
12	YC110-11-052	Rear wheel spacer left $\Phi 15 \times \Phi 22 \times 38$ mm	entretoise roue arriere gauche $\Phi 15 \times \Phi 22 \times 38$ mm	1	F88s12-16/F88se1517/F88L17/F125L1617/F150L17/F12512-16/F125s12-17/F125se15-17/P88s12-15/P12513-17/P15013-17/SM12-17/SP11617
13	GB70.2-M8x16	Screw for disk M8X16	vis disque frein M8X16	4	ALL BIKES2012-17 (BUT50A)

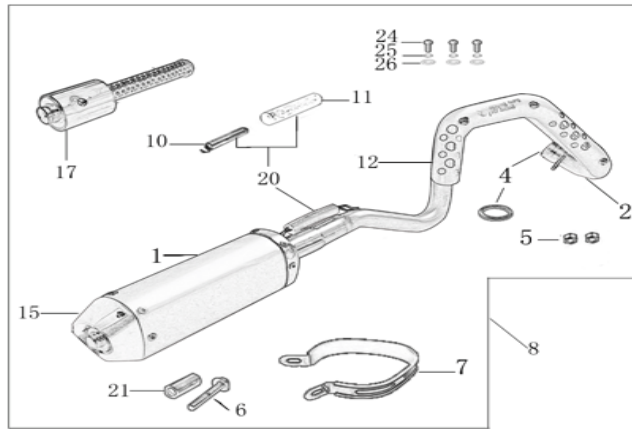
14	YC110-11-06/45	YCF Driven sprocket 420-45T	couronne acier 45T YCF	1	50A1617/F125L1617/ F150L17/F12512- 16/F125s12- 17/F125se15- 17/P12513-17/P15013- 17/SM12-17
15	YC110-1115-01	Rear Brake disc φ200mm 2016	Disque frein arrière φ200 mm 2016	1	ALL BIKES 2016- 17(BUT50A)
16	GB5783-M8×25-W	Exterior Hex.Bolt M8X25	vis M8x25	4	F88s13-16/F88se15- 17/F88L17/F125L1617/F1 50L17/F12513-16/F125s13- 17/F125se15-17/P88s13- 15/P12513-17/P15013- 17/SM13-17
17	YC110-11-01	tire lining 12"	fond jante 12'	1	ALL BIKES2012- 2015(BUT50A/F88s/F88se /P88s)/ALL BIKES2016- 17(BUT50A/F88s/F88se/ F88L)
18	YC110-0611	oil seal Φ22×Φ35×5	joint spy roue Φ22×Φ35×5	2	ALL BIKES2013- 17(BUT50A)
21	JR12-12.7	set of spoke 12' (125mm×16+128mm×16)	jeu rayon arrière 12' (125mm×16+128mm×16)	1	F125L1617/F150L17/ F12513-16/F125s13- 17/F125se15- 17/P12513-17/P15013- 17/SP113-17
22	YC110-11-03	Sprocket Locking piece	block couronne	2	ALL BIKES2013- 17 (BUTSPI/SP2/SP3/BI GY)

REAR BRAKE



N	Ref.	Description	Français	Qty/ Bike	MODEL
1	YC110-1201-04	Rear Caliper 1 pistons w/t abestos	étrier frein arrière 1 piston sans amiante	1	ALL BIKES2012- 2015(BUT50A) /ALL BIKES2016- 17(BUT50A/SP2/SP3/BI GYF150MX/FD190MX)
2	YC110-1201024	Rear reservoir φ 10mm (with stick L=45mm)	maitre cylindre frein arrière avec embout durite φ 10mm	1	P1251617/P1501617/ SM1501617/BIGY201 7
3	YC110-1201048	Oil steel tube L=465mm Φ10/Φ10 PILOT 2016	durite frein arrière L=465mm Φ10/Φ10 PILOT 2016	1	P1251617/P1501617/SM1 501617/SP11617
4	YC110-1204	Friction pad for 1 piston brake w/t abestos with copper substrate	plaquette frein arrière 1 piston SANS AMIANTE	2	ALL BIKES2012- 2015 (BUT50A/F88s/F88 se) /ALL BIKES2016-17 (BUT50A/F88s/F88se/LI TE/SP2/SP3)

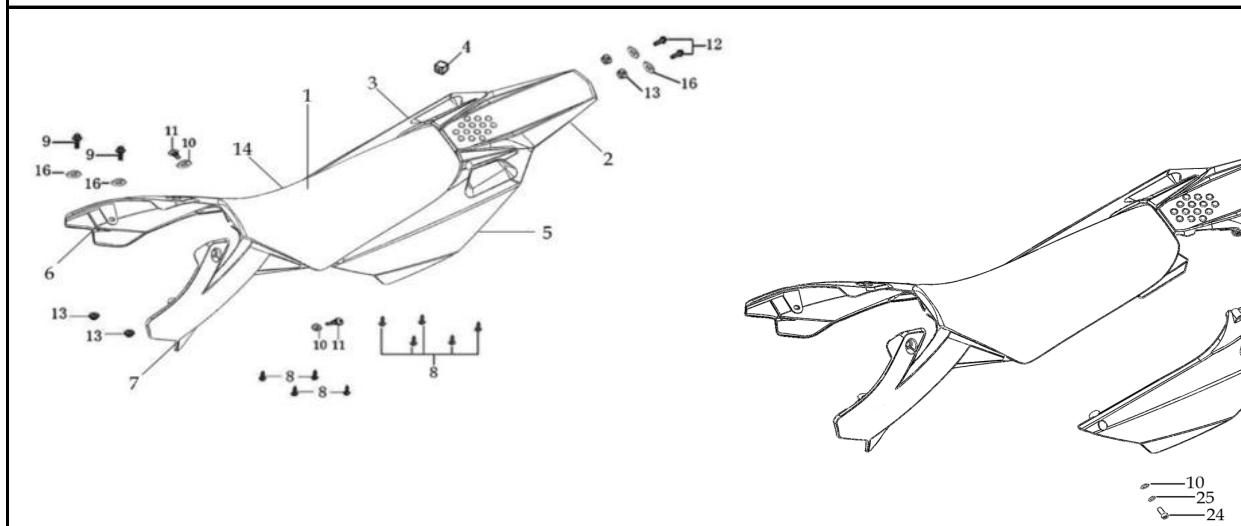
5	YC110-1205-06	Steel brake pedal PILOT88s	pédale de frein PILOT88s	1	P88s13-15/P12513-17/P15013-17/SM15013-17/BIGY125MX17/150MX17
6	YC110-21-01	Spring for Steel brake pedal $\Phi 3 \times \Phi 32 \times 7 \text{mm}$	ressort pour pédale de frein Acier $\Phi 3 \times \Phi 32 \times 7 \text{mm}$	1	ALL BIKES2013-14(BUT50A)/ALL BIKES2015-2017(BUT50A/SP/F150MX/FD190MX)
9	GB882- $\Phi 7 \times 16$ -W	Pin shaft 7x16mm	axe 7x16mm	1	ALL BIKES2012-17 (BUT50A)
10	GB91- $\Phi 1.6 \times 16$ -W	Split pin 1.6x16mm	goupille 1.6x16mm	1	ALL BIKES2012-17 (BUT50A)
11	GB70-M6x20	Hex. Bolt M6x20	vis M6x20	2	ALL BIKES2012-17 (BUT50A)
14	YC110-12012-24	Rear brake aasy 1 piston W/T ABESTOS $\Phi 10 / \Phi 10$ L=465mm 2016	Kit frein arriere 1 piston avec gaine plastic SANS AMIANTE $\Phi 10 / \Phi 10$ L=465mm 2016	1	P1251617/P1501617/SM1501617
15	YC110-1201-01	Rear brake bracket T=5MM	patte fixation étrier frein arriere T=5MM	1	ALL BIKES2012-15(BUT50A)/ALL BIKES2016-17(BUT50A/LITE/SP2/SP3)
16	YC110-1255	Rear Brake pads Screw L=38mm	Vis plaquette AR L=38mm	2	ALL BIKES2012-15(BUT50A)/ALL BIKES2016-17(BUT50A/SP2/SP3)
18	GB70.1-M10x35-B	Nut for brake pedal M10X35	vis pour pédale frein M10X35	1	P88s16/P1251617/P1501617/SM1501617/SP1617/BIGY2017
19	YC110-217-01	Steel brake pedal PILOT / SM150 2013	Pédale de frein Acier PILOT / SM150 2013	1	P88s13-15/P12513-17/P15013-17/SM15013-17/BIGY125MX17/150MX17
21	YC110-120110	rubber for rear caliper	jeu de caoutgouc d'etrier frein arriere	1	ALL BIKES2012-2015 (BUT50A) /F88s16/F88se1617/F88L17/F125L1617/F150L17/F12516/F125s1617/F125se1617/SM125s1617
23	YC110-21-10	Steel brake pedal end cap	embout pédale de frein Acier	1	F88s12-16/F88se15-17/F88L17/F125L1617/F150L17/F12512-16/F125s12-17/F125se15-17/F88s12-15/P12513-17/P15013-17/SM12-17
25	YC110-12025-01	Rubber for REAR RESERVOIR PUSH STICK 2016	Caoutchouc tige maitre cylindre frein arrier 2016	1	P1251617/P1501617/SP1617/SM1501617/BIGY2017
26	FB13-10x14x17-CW	bushing $\Phi 10 \times \Phi 14 \times 17 \text{mm}$	entretoise $\Phi 10 \times \Phi 14 \times 17 \text{mm}$	1	P88s13-15/P12513-17/P15013-17/SM15013-17/BIGY125MX17/150MX17
30	GB70-M6x16-Cr	Hex. Bolt M6x16	vis M6x16	2	F88s13-16/F88se15-17/F88L17/F125L1617/F150L17/F12513-16/F125s13-17/F125se15-17/P88s13-15/P12513-17/P15013-17/SM13-17
34	YC110-1215-06	Mount for rear break reservoir "extern" 2017	fixation maitre cylindre frein arriere "externe" 2017	1	P12517/P15017/SM15017/SP17/BIGY2017
35	GB70-M6x16	Hex. Bolt M6x16	vis M6x16	2	P12517/P15017/SM15017/SP17/BIGY2017
36	GB93- $\Phi 6$	Standard spring washer $\phi 5$	rondelle $\phi 5$	4	P12517/P15017/SM15017/SP17/BIGY2017
Exhaust system					



N	Ref.	Description	Français	Qty/ Bike	MODEL
1	YC110-13016-GY	YCF Muffler 94db START L=295mm (1 springs) 2015 GREY	silencieux YCF 94db 2015 GRISE	1	F88s1516/F88se15-17/F88L17/F125L1617/F150L17/F1251516/F125s15-17/F125se15-17/P88s15/P12515-17/P150151617/SM15-17
2	YC110-1302-10	Exhaust pipe with protection plate Φ 28 mm PILOT 2015	collecteur avec plaque Φ 28 mm PILOT 2015	1	P88s15/P12515-17/P15015-17/SM15015-17
4	18291/152FMH	Exhaust pipe washer ϕ 32 \times ϕ 25.5 \times 4	joint pot ϕ 32 \times ϕ 25.5 \times 4	1	ALL BIKES2012-2017 (BUT50A/50E)
5	GB6170-M6-W	Hex flanged self locking nut M6	écrou M6	2	ALL BIKES
6	GB5787-M8 \times 35-W	Hex. Bolt with flanged M8 \times 35	vis M8 \times 35	1	50A13-17/P12513-17/P15013-17/SM15013-17
7	YC110-13-04	Hoop for muffler YCF START 2011(with FB13- Φ 10 \times Φ 14 \times 23-W 1EA+GB5787-M8 \times 40-W 1EA)	Attache silencieux YCF START 2011	1	5011/F88s12-16/F88se15-17/F88L17/F125L1617/F150L17/F12512-16/F125s12-17/F125se15-17/P88s12-15/P12513-17/P15012-17/SP112-17/SM12-17
8	YC110-136-03-GY	PILOT / SM150 Muffler& Exhaust pipe assy YCF 94db (1 spring)	Echappement complet YCF 94db PILOT / SM150 (1 ressort)	1	P88s15/P12515-17/P15015-17/SM15015-17
10	YC110-13-201	muffler spring Φ 6.5 \times Φ 9 \times 50mm	ressort pot Φ 6.5 \times Φ 9 \times 50mm	1	ALL BIKES2012-14(BUT50A)/ALL BIKES2015-17 (BUT50A/SP/BIGYP150MX/FD190MX)
11	YC110-138	rubber for muffler spring	caoutchouc ressort pot	1	ALL BIKES2012-17(BUT50A)
12	YC110-1312-02	Protection for exhaust pipe PILOT / SM150 2013	Grille pot PILOT / SM150	1	P88s13-15/P12513-17/P15013-17/SM15013-17
15	YC110-13-32	Muffler end cap YCF	Emout silencieux YCF	1	5011/F88s12-16/F88se15-17/F88L17/F125L1617/F150L17/F12512-16/F125s12-17/F125se15-17/P88s12-15/P12513-17/P15013-17/SM12-17/SP113-17
17	YC110-13-301	Noise reducer (spark arrestor) YCF START	Bride de pot YCF START	1	F88s12-16/F88se15-17/F88L17/F125L1617/F150L17/F12512-16/F125s12-17/F125se15-17/P88s12-15/P12513-17/P15013-17/SM12-17/SP112-17

20	YC110-13-21	muffler spring with rubber	ressort pot avec le caoutchouc	1	ALL BIKES2012-14(BU150A)/ALL BIKES2015-17 (BU150A/SP2/SP3/BI GYF150MX/FD190MX)
24	GB70.2-M6×10-Cr	Plus screw M6×10	vis M6×10	3	ALL BIKES2013-17
25	GB93-Φ6-W	Standard spring washer φ6	rondelle φ6	3	ALL BIKES2013-17
26	GB97-Φ6-W	flat washer φ6	rondelle φ6	3	ALL BIKES2013-17

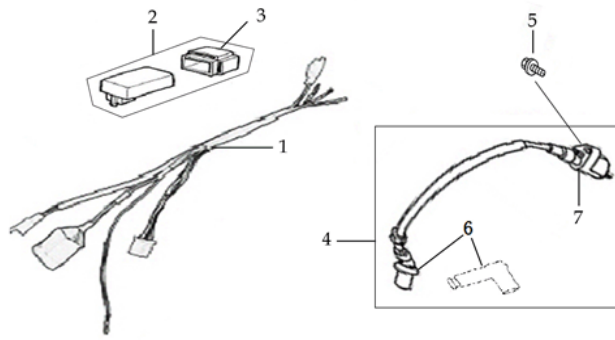
Seat & Plastic kit



N	Ref.	Description	Français	Qty/ Bike	MODEL
1	YC110-1401-09	YCF Seat assy L=510mm 2016	Sells SP 2016	1	P1251617/P1501617/ SP11617/SP21617/SP 31617/SM1501617
2	YC110-14-018WH	YCF Rear fender 2016 WHITE with YC110-1404-01 2EA	Garde boue arrière YCF 2016 avec Picots BLANC	1	P12517/P15017/SP11 7/SP217/SP317
3	YC110-14-028WH	YCF right side plastic assy 2016 WHITE	Plaque latérale droite YCF 2016 BLANCHE	1	P12517/P15017/SP11 7/SP217/SP317
17	YC110-1428-01BK	YCF Handle for right side plastic 2016 BLACK	Paire de Poignees Droite pour Plaque Laterales YCF 2016	1	P1251617/P1501617/ SM1501617/SP1617
19	YC110-1419-01-WH	YCF right side plastic 2016 WHITE	Plaque latérale droite YCF 2016 BLANCHE	1	P12517/P15017/SP11 7/SP217/SP317
5	YC110-14-048WH	YCF left side plastic assy 2016 WHITE	Plaque laterale gauche YCF 2016 BLANCHE	1	P12517/P15017/SP11 7/SP217/SP317
18	YC110-1429-01BK	YCF Handle for left side plastic 2016 BLACK	Paire de Poignees Gauche pour Plaque Laterales YCF 2016	1	P1251617/P1501617/ SM1501617/SP1617
20	YC110-1420-01-WH	YCF left side plastic 2016 WHITE	Plaque laterale gauche YCF 2016 BLANCHE	1	P12517/P15017/SP11 7/SP217/SP317
21	YC110-1404-01	Cushion for side plastic Φ8.2Φ20.2×9mm 2016	caoutchouc plaque laterale Φ8.2Φ20.2×9mm 2016	2	P11251617/P1501617/ /SP11617/SP21617/S P31617/SM1501617
4	YC110-14-03	Cushion for right side plastic	caoutchouc plaque laterale droite	1	ALL BIKES

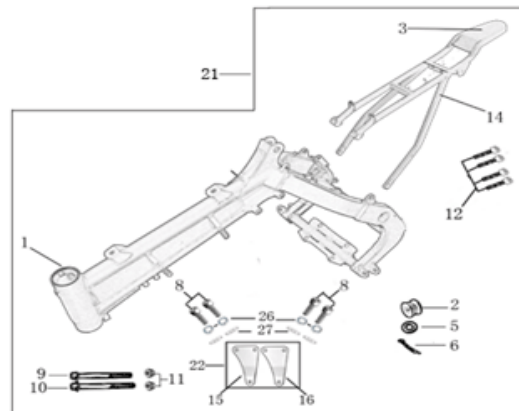
22	GB70.2-M5×12-Cr	Plus screw M5X12	vis M5X12	2	P1251617/P1501617/SM1501617/SP1617
23	GB70-M6×12	Hex. Bolt M6x12	vis M6x12	2	P1251617/P1501617/SM1501617/SP1617
24	GB70-M6×16	Hex. Bolt M6x16	vis M6x16	2	P1251617/P1501617/SM1501617/SP1617
25	GB97-Φ6-W	flat washer φ6	rondelle φ6	4	P1251617/P1501617/SM1501617/SP1617
10	YC110-02-13	Rubber washer Φ6×Φ14×3mm	joint caoutchouc Φ6×Φ14×3mm	4	ALL BIKES2012-17
6	YC110-14-052WH	YCF Right shroud WHITE	Ouie radiateur droite YCF BLANCHE	1	P88s1314/P1251314/P1501314/SM15012-14/f88se17/F125s17/F125se17/P12517/P15017
7	YC110-14-062WH	YCF Left side shroud WHITE	Ouie radiateur gauche YCF BLANCHE	1	P88s1314/P1251314/P1501314/SM15012-14/f88se17/F125s17/F125se17/P12517/P15017
8	GB845-ST4.8×16-G	Screw for plastic kit ST4.8x16	vis plastique ST4.8x16	8	ALL BIKES2012-17(BUT BIGY)
8	GB845-ST4.8×20-G	Screw for plastic kit ST4.8x20	vis plastique ST4.8x20	1	P88s13-15/P12513-17/P15013-17/SM15013-17/SP113-17/SP213-17/SP313-17
9	GB5787-M6×20-W	hex. Bolt with flanged M6x20	vis M6x20	2	ALL BIKES2012-17(BUT BIGY)
10	YC110-02-13	Rubber washer Φ6×Φ14×3mm	joint caoutchouc Φ6×Φ14×3mm	2	ALL BIKES2012-17
11	FB5787-M5×12-W	hex. Bolt with flanged M5×12	vis M5x12	2	ALL BIKES2012-17
11	GB96-Φ5-W	flat washer Φ5×Φ12	rondelle Φ5×Φ12	2	ALL BIKES2015-17
12	GB5787-M6×20-B	hex. Bolt with flanged M6x20 BLACK	vis M6x20 NOIR	2	ALL BIKES2015-17
13	GB6177-M6-W	Hex. Flanged nut M6	écrou M6	2	ALL BIKES2015-17
14	YC110-14025	YCF seat cover 2016	Housse selle YCF 2016	1	P1251617/P1501617/SM1501617/SP11617/SP21617/SP31617
16	YC110-03-01	Rubber washer Φ6×Φ18×4mm	joint caoutchouc Φ6×Φ18×4mm	4	ALL BIKES2012-17
16	GB96-Φ6	flat washer φ6	rondelle φ6	4	ALL BIKES2012-17

ELECTRIC



N	Ref.	Description	Français	Qty/ Bike	MODEL
1	YC110-1501-11	Wire harness Waterproof P125 2017	Faisceaux électrique ETANCHE P125 2017	1	F125L17/F125s17/P12517/P15017/SP117/SP217/S M17/BIGY125MX17/150 MX17/F150MX17
2	YC110-1503	CDI Ignitor assy.125cc	CDI 125cc	1	F125L1617/F150L17/F12512-16/F125s12-17/F125se15-17/P12513-15/P15013-17/SM12-17/SP112-17/SP212-17
3	YC110-1501-03	Ignitor rubber	caoutchouc cdi	1	ALL BIKES2012-17 (BUT50A/SP3/BIGYFD190MX)
4	YC110-1504-02	Ignitor coil L=240mm	bobine haute tension L=240mm	1	F12512-16/F125s12-17/F125se15-17/P88s12-15/P12513-17/P15013-17/SM12-17/SP114-17/SP214-17
5	GB5787-M6x20	Hex. Bolt with flanged M6x20	vis M6x20	1	ALL BIKES2013-17(BUT50A/SP3)
6	YC110-1505	anti interference red	anti parasite rouge	1	ALL BIKES2012-2017 (BUT50A/50E/SP3/BIGYFD190MX)
7	YC110-1504	Ignitor coil	bobine haute tension	1	ALL BIKES2012-2017 (BUT50A/50E/SP3/BIGYFD190MX)

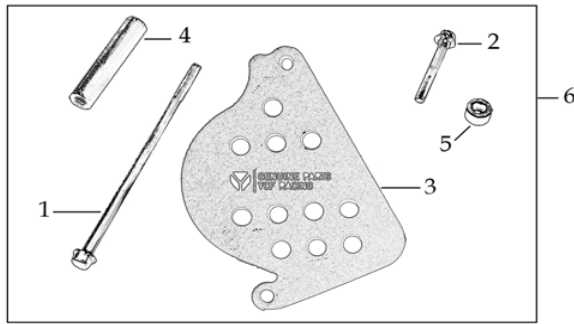
Frame



N	Ref.	Description	Français	Qty/ Bike	MODEL
1	YC110-176-06-WH	PILOT F150 / SM150 Chromoly Frame (for fork 735mm) 2014 WHITE	Cadre chromolly PILOT F150 / SM150 (pour fourche 735mm) 2014 BLANC	1	P12515-17/P15014-17/SM15014-17
2	YC110-2201	YCF Chain tensioner component	roulette chaine YCF	1	ALL BIKES2011-17 (BUT50A)

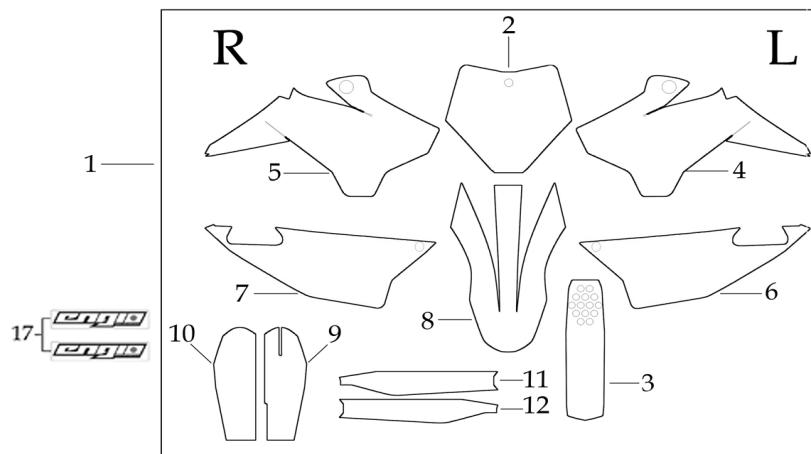
3	YC110-0700-11	Tail cover sponge	Mousse Boucle arriere	1	ALL BIKES2014-16(BUT50A/SP3)/ALL BIKES2017 (BUT50A/SP/BIGY)
5	GB97-Φ10-W	Flat washer φ10x17x2	rondelle φ10x17x2	1	ALL BIKES2014-17 (BUT50A)
6	GB91-Φ2×25-W	cotter pin φ2.0×25	goupille φ2.0×25	1	ALL BIKES2012-17 (BUT50A)
8	GB70-M8×20	Hex. Bolt with flanger M8x20	vis boucle arriere M8x20	2	P88s13-15/P12513-17/P15013-17/SP13-17/SP213-17/SP313-17/SM15013-17
8	GB70-M8×14	Hex. Bolt with flanger M8x14	vis boucle arriere M8x14	2	P88s13-15/P12513-17/P15013-17/SM15013-17
9	GB5787-M8×110-W	Hex. Bolt with flanger face M8X110	vis m8x110	1	F88s13-16/F88se15-17/F12513-16/F125s13-17/F125se15-17/P88s13-15/P12513-17/P1513-17/P15013-17/SM13-17
9	GB5787-M8×105-W	Hex. Bolt with flanger M8x100	vis M8x100	1	F88s13-16/F88se15-17/F12513-16/F125s13-17/F125se15-17/SM125s13-17/P88s13-15/P12513-17/P15013-
10	GB6187-M8-W	Self locking nut M8	ecrou M8	2	ALL BIKES
12	GB70-M8×25	Hex. Bolt with flanger M8x25	vis boucle arriere M8x25	4	F12513-16/F125s13-17/F125se15-17/P88s13-15/P12513-17/P15013-17/SM13-17
14	YC110-1614-16-BK	STEEL rear frame part P150/SM150 2017 BLACK	Boucle arriere de cadre ACIER P150/SM150 2017 NOIR	1	P12517/P15017/SM15017
	YC110-1633-01	Rubber plug for Rear frame part BIGY 2017	Caoutchouc Embout pour Boucle Arriere	1	P12517/P15017/SM15017/SP117/SP217/BIGY2017
	YC110-1404-01	Rubber for Subframe	Caoutchouc pour Boucle Arriere	2	P1251617/P1501617/SM1501617/SP1617
15	YC110-1615-02-BK	frame engine pads left PILOT 150/SM150 BLACK 2014	patte de cadre gauche PILOT 150/SM150 2014 NOIRE	1	P12515-17/P15014-17/SM15014-17
16	YC110-1616-02-BK	frame engine pads right P150/SM150 2014 BLACK	patte de cadre droite PILOT P150/SM150 2014 NOIRE	1	P12515-17/P15014-17/SM15014-17
21	YC110-181-06-WH	complète frame PILOT F150 / SM F150 WHITE / Black pads 2016	cadre complet PILOT F150 / SM F150 BLANC / Pattes Noires 2016	1	P1251617/P1501617/SM1501617
22	YC110-1622-02-BK	set of engine pads PILOT 150 /SM150 2014 BLACK	jeu de patte de cadre PILOT 150/ SM150 2014 NOIRE	1	P12515-17/P15014-17/SM15014-17
26	GB93-Φ8-W	washer φ8	rondelle φ8	4	P88s13-15/P12513-17/P15013-17/SP13-17/SM15013-17
27	GB97-Φ8-W	Flat washer Φ8	rondelle Φ8	4	P88s13-15/P12513-17/P15013-17/SP13-17/SM15013-17

FRONT SPROCKET PROTECTION



N	Ref.	Description	Français	Qty/ Bike	MODEL
1	GB5787-M6×120-Cr	Hex. Bolt with flanger M6×120 Chrome	vis M6×120	1	ALL BIKES2012-17 (BUT50A/F88se/F125se/LITE/SP3)
2	GB5787-M6×40-Cr	Hex. Bolt with flanger M6×40 Chrome	vis M6×40	1	ALL BIKES2012-17 (BUT50A/F88se/F125se/LITE/SP3)
3	YC110-24-074-BK	Aluminium chain protection 2013 PILOT / FACTORY BLACK	Protection PSB Aluminium 2013 PILOT / FACTORY NOIR	1	P88s13-15/P12513-17/P15013-17/SP113-17/SP213-17/SM15013-17
4	FB13-7×12×55-W	bushing $\Phi 7 \times \Phi 12 \times 55$	entretoise $\Phi 7 \times \Phi 12 \times 55$	1	ALL BIKES2012-17 (BUT50A/F88se/F125se/LITE/SP3)
5	FB13-7×12×7-W	bushing $\Phi 7 \times \Phi 12 \times 7$	entretoise $\Phi 7 \times \Phi 12 \times 7$	1	ALL BIKES2012-17 (BUT50A/F88se/F125se/LITE/SP3)
6	YC110-253BK	Complete Aluminium chain protection 2013 PILOT / FACTORY 2013 BLACK	Protection complète PSB Aluminium 2013 PILOT / FACTORY 2013 NOIRE	1	P88s13-15/P12513-17/P15013-17/SP113-17/SP213-17/SM15013-17

GRAPHICS



N	Ref.	Description	Français	Qty/ Bike	MODEL
1	KDP1502017	P150 complete graphic kit 2017	Kit deco complet P150 2017	1	P15017

2	YC110-34-014	P150 Front plate graphic 2017	Sticker Plaque avant P150 2017	1	P15017
3	YC110-34-024	P150 Rear mudguard graphic 2017	Sticker GB Arriere P150 2017	1	P15017
4	YC110-34-034	P150 Left shrouder graphic 2017	Sticker Ouie gauche radiateur P150 2017	1	P15017
5	YC110-34-044	P150 Right shrouder graphic 2017	Sticker Ouie droite radiateur P150 2017	1	P15017
6	YC110-34-054	P150 Left side plate graphic 2017	Sticker Plaque laterales gauche P150 2017	1	P15017
7	YC110-34-064	P150 Right side plate graphic 2017	Sticker Plaque laterales droite P150 2017	1	P15017
8	YC110-34-074	P150 front fender Front fender graphic 2017	Sticker GB Avant P150 2017	1	P15017
9	YC110-34-083	P125/P150 Front left shock protection graphic 2017	Sticker Protection gauche fourche P125/P150 2017	1	P12517/P15017
10	YC110-34-093	P125/P150 Front right shock protection graphic 2017	Sticker Protection droit fourche P125/P150 2017	1	P12517/P15017
	YC110-1909	Sticker FACTORY Shock Absorber	Autocollant FACTORY Amortisseur	1	ALL BIKES2013-17 (BUT50A/SP3/BIGYP D190MX)
	YC110-1910	GAS TANK STICKER	STICKER RESERVOIR	1	ALL BIKES2013-17(BUT50A/BIGY)
	YC110-1901	Sticker Chain	Autocollant Chaîne	1	ALL BIKES2013-17
	YC110-1902	Sticker Tire	Autocollant Pression Pneu	1	ALL BIKES2013-17
	YC110-1903	Sticker Warning OIL Level	Autocollant Attention Niveau Huile	1	ALL BIKES2013-17
	YC110-1904	Sticker Rear Mudguard 70×57mm	Autocollant garde boue arriere 70×57mm	1	ALL BIKES2013-17(BUT50A)
	YC110-1905	Sticker CE	Autocollant CE	1	ALL BIKES2013-17
	YC110-1906	Warning sticker	Sticker Attention	1	ALL BIKES2013-17
	YC110-1907	Warning Sticker Transport	Sticker Caisse Avertissement Transport	1	ALL BIKES2013-17

	YC110-1908	Warning Sticker Shosk Absorber	Sticker Avertissement Amortisseur	1	ALL BIKES2013-17
--	------------	--------------------------------	-----------------------------------	---	------------------

ENGINES

	MOTEUR150-3	ENGINE 150 YX	MOTEUR YX 150	1	P15013-17
	17311-5	Inlet Pipe,Pro P150 2015	PIPE ADMISSION P150 2015	1	P1501617 / SM1501617
	17332	carburettor paper gasket Φ28	joint papier carburateur Φ28	1	ALL BIKES2015-17 (BUT50A/SP3190)
	17332/152FMH01	Intake Gasket	JT PAPIER PIPE ADMISSION	1	ALL BIKES2015-17 (BUT50A/SP3190)
	F00C039	carburettor isolating gasket Φ27.5	joint plastique carburateur Φ27.5	1	ALL BIKES2015-17 (BUT50A/SP3190)
	11411/152FMH	Crankcase Cover, LH	CARTER ALLUMAGE	1	ALL BIKES2015-17 (BUT50A/SP3190)
	YC140-27600SI	STEEL KICK YCF 2015 BIG HOLE	KICK ACIER 2015 GROS DIAMETRE SILVER	1	P15015-17/SM15015-17/SP15-17
	24700/152FMH	Gearshift Pedal	SELECTEUR	1	F88se15-17/F12513-16/F125se15-17/P12513-17/P15013-17/SM15013-17/SP13-17

CARBU

	YC110-38424	Carburetor RSP/SM150/C/CP/FP 2012 with main jet 107.5 and slow jet 15	Carburateur RSP/SM150/C/CP/FP 2012 GICLEUR 107.5 GICLEUR 15	1	P15013-17/SM15013-17/SP113-17/SP213-17/SP315013-15
	GICLEUR90	main jet 90	GICLEUR 90	1	P15013-17
	GICLEUR10	slow jet 10	GICLEUR 10	1	P15013-17
	YC110-3847-01	Carburetor spring Φ17×70mm	Ressort Carbu	1	F12513-16/F125s13-17/F125se15-17/P12513-17/P15013-17/SP113-17/SP213-17/SP315013-15/SM13-17

CARTONS - CAISSES MOTOS

	YC110-CARTON-CP	BIKE BOX CLASSIC 1520×380×840mm	CARTON EMBALLAGE MOTO CLASSIC	1	CP12/FP12/P12515-17/P15015-17/SM15015-17/SP113-17/SP213-17/SP313-15
	YC110-FOAMBOX	Foam box 420×340×160mm	Cale PS	1	ALL BKIES2014-17

	YC110-FILM	Protective film for seat 600×600×0.02mm	Protection plastique pour Selle	1	ALL BIKES2014-17
CATALOGUES - FICHES MOTOS - FICHES STICKER					
	YC110-0700-01	Accessory tools	Trousse a outils	1	ALL BIKES2013-17
	YC110-0700-0201	Owner manual 2015	Manuel Utilisation 2015	1	ALL BIKES2013-17
	YC110-0700-0401	Vin Plate 2015	Plaque Vin 2015	1	ALL BIKES2013-17
	YC110-0700-03	A4 sheet assy	Fiche A4	1	ALL BIKES2013-17

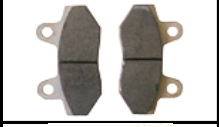
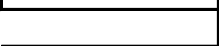
2017

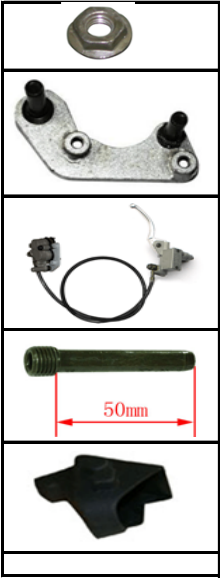


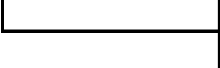
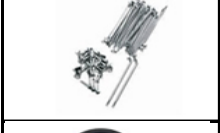
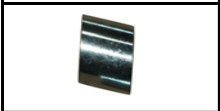
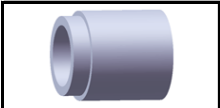






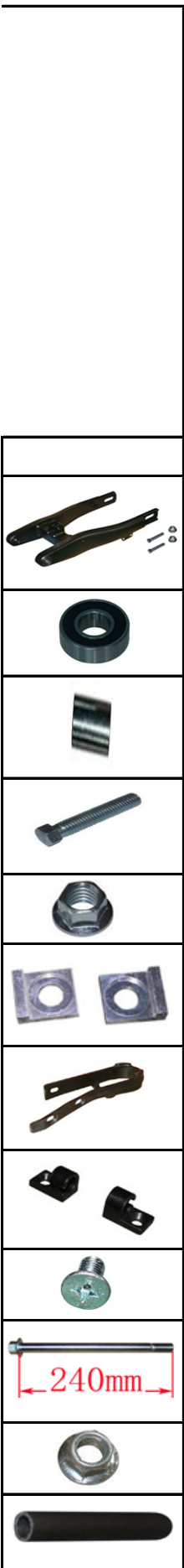






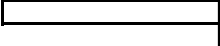






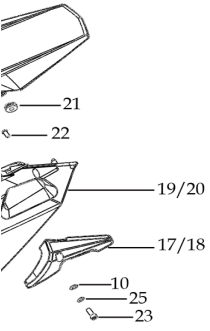




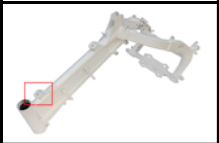
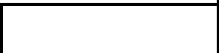
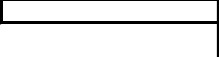
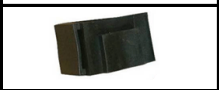




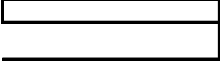












WARNING - AVERTISSEMENT
WARNING:
THE SHOCK ASSEMBLY IS NOT LOCKED
ATTENTION:
LA VIE DE L'AMORTISSEUR N'EST PAS SERRÉE
6310000

