

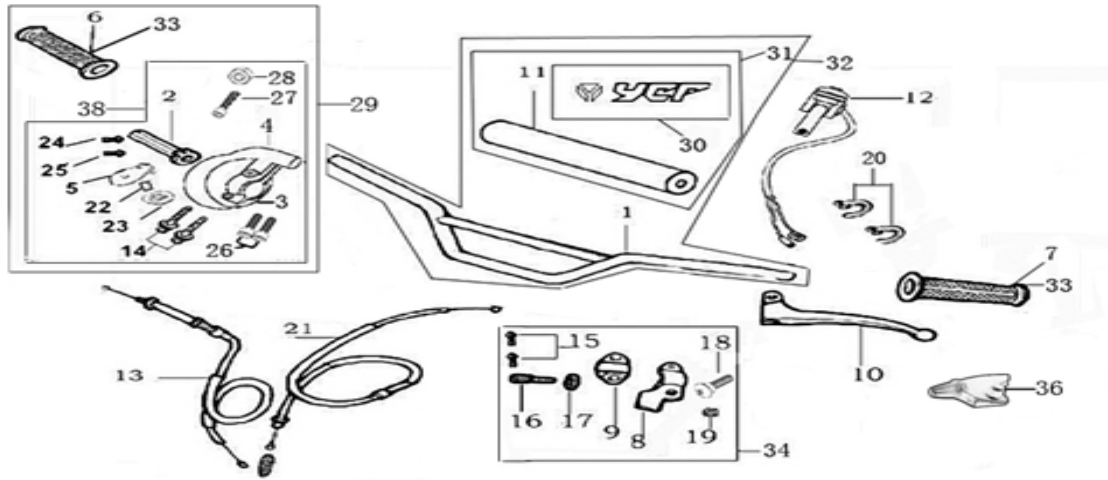


YCF-Riding.com

F88 LITE



Handle bar assembly

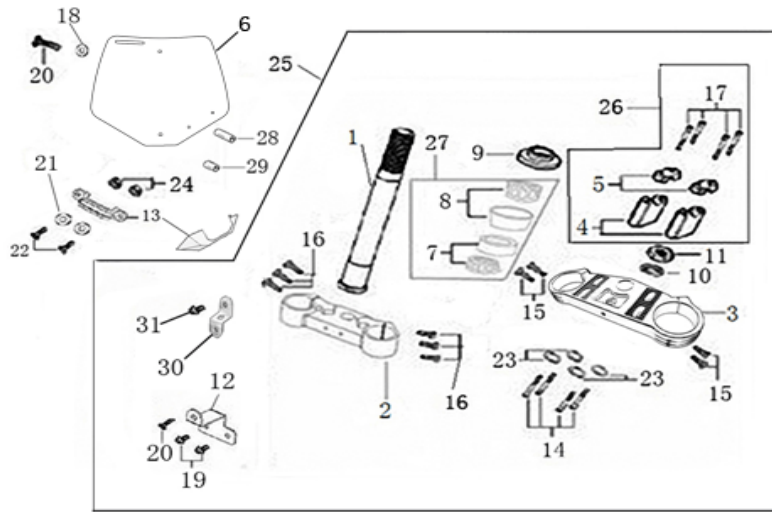


N°	Ref.	Description	Français	Qty/ Bike	MODEL
1	YC110-0101	Handle Bar START Chromelly L=740mm	Guidon chromolly START L=740mm	1	F88L17/F88s12-17/F88se1617/F125L1617/F150L17/F12512-16/F125s12-17/F125se1617/SM125s12-17 / P88s13-15/P12513-17/P15013-17
2	YC110-01021-01	YCF Throttle Body 2012 BLACK	plastique poignée de gaz YCF 2012 NOIR	1	ALL BIKES 2012-17
3	YC110-01021-04	YCF Lower Throttle Body Housing 2012	dessous poignée gaz YCF 2012	1	50A12-17/F88L17/F88s12-17/F88se1617/F125L1617/F150L17/F12512-17/F125s12-17/F125se1617/P88s12-15/P12514-17/SM125s14-17
4	YC110-01021-03	Upper Throttle Body Housing YCF 2012	dessus poignée gaz YCF 2012	1	ALL BIKES 2012-2017
5	YC110-01021-02	Upper Throttle Body Housing Cover YCF 2012	plastique du dessus poignée gaz YCF 2012	1	ALL BIKES 2012-2017
6	YC110-01-01-GY	YCF Right Grip GREY	poignée caoutchouc droite YCF GRISE	1	ALL BIKES 2012-2017
7	YC110-01-02-GY	YCF Left Grip GREY	poignée caoutchouc gauche YCF GRISE	1	ALL BIKES 2012-2017

11	YC110-0110-01	Bar pad for Chromolly Handlebar L=250 mm	Mousse guidon pour guidon Chromolly L=250 mm	1	F88L17/F88s12-17/F88se15-17/F125L1617/F150L17/F12512-16/F125s12-17/F125se15-17/F88s13-15/P12513-17/P15012-17/SM125s12-17
12	YC110-0105-11	Kill Switch ON/OFF Waterproof 2017	Coupe circuit on off ETANCHE 2017	1	ALL BIKES2017 (BUT50A/50E/SP3/FD190MX)
13	YC110-0106-04	Throttle Cable L=710mm A+B=130	Cable gaz L=710mm A+B=130	1	F88s1516/F88se15-17/F88L17/F125L17/F150L17
	YC110-0143-01	Rubber for throttle cable	Caoutchouc pour cable de gas	1	ALL BIKES2017 (BUT50E)
14	GB5787-M6×22-G	Hex. Bolt with Flanged Face M6X22	vis M6X22	2	ALL BIKES2012-17(BUT50A)
20	YC110-01-03-BK	Tape 150mm BLACK	colier maintien cable 150mm NOIR	2	ALL BIKES
20	YC110-01-03-WH	Tape 150mm WHITE	colier maintien cable 150mm BLANC	2	ALL BIKES
20	YC110-01-05-BK	Tape 350mm BLACK	colier maintien cable 350mm NOIR	5	ALL BIKES
22	YC110-0102-08	YCF Throttle cable Bearing $\Phi 8 \times \Phi 16 \times 5$ mm	Roulement poignee gas YCF $\Phi 8 \times \Phi 16 \times 5$ mm	1	ALL BIKES2012-2017
23	YC110-0102-07	YCF Throttle cable guide pulley plastic $\Phi 12 \times \Phi 16 \times \Phi 28 \times 8$ mm	Roulette plastique Poignee Gas YCF $\Phi 12 \times \Phi 16 \times \Phi 28 \times 8$ mm	1	ALL BIKES2012-2017
24	GB819-M4×12	Plus screw M4×12	vis M4×12	1	ALL BIKES2012-2017
25	GB819-M4×20	Plus screw M4×20	vis M4×20	1	ALL BIKES2012-2017
26	GB70-M6×20-B	Hex. Bolt M6x20 BLACK	vis M6x20 NOIR	2	ALL BIKES2012-2017
27	GB70-M5×12	Hex. Bolt M5×12	vis M5×12	1	ALL BIKES2012-2017(BUT50A)
30	YC110-012021-BK	PVC for Bar Pad suitable Chromolly Handlebar 246mm×156mm 2013 BLACK	PVC mousse guidon Chromolly 246mm×156mm 2013 NOIR	1	F88s12-16/F88se15-17/F125L1617/F12512-16/F125s12-17/F125se15-17/F88s13-15/P12513-17/P15012-17/SM125s12-17
31	YC110-0132BK	Complete Bar Pad for Chromolly Handlebar L=250mm 2013 BLACK	Mousse guidon complete pour guidon Chromolly L=250mm 2013 NOIR	1	F88s12-17/F88se15-17/F125L1617/F12512-16/F125s12-17/F125se15-17/F88s13-15/P12513-17/P15012-17/SM125s12-17
32	GA02-BK	Chromelly Handle Bar with bar pad and pvc START / PILOT / SM125s 2013	Guidon chromolly complet avec Mousse et Pvc START / PILOT / SM125s 2013	1	F88s12-17/F88se15-17/F125L1617/F12512-16/F125s12-17/F125se15-17/F88s13-15/P12513-17/P15012-17/SM125s12-17
33	PPC010-GY	YCF set of grip GREY	Paire de poignée caoutchouc YCF GRISE	1	ALL BIKES2012-2017

38	YC110-01021-N	YCF Throttle Assy. 2012 without grip (with YC110-0102-08 1EA)	Poignee gaz réglable YCF 2012 nue	1	F88s12-16/F88se15-17/F125L1617/F12512-17/F125s12-17/F125se15-17/P88s1415/P12514-17/SM125s14-17
----	---------------	---	-----------------------------------	---	--

Steering stem assembly

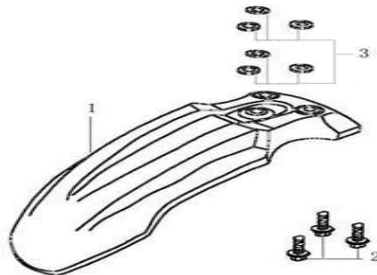


N	Ref.	Description	Français	Qty/ Bike	MODEL
1	YC50-0200-01	Steering stem 195 mm	tige colonne direction 195 mm	1	50A12-17/F88L17/F125L1617/F150L17
2	YC110-0202-46-BK	Lower triple clamp 160 mm ϕ 33mm F125L 2016	té fourche inferieur 160 mm ϕ 33mm	1	F88L17/F125L1617/F150L17
3	YC110-0201-46-BK	Top Triple Clamp 160mm ϕ 33mm (not adjustable) F125L 2016	té fourche supérieur 160 mm ϕ 33mm (non ajustable)	1	F88L17/F125L1617/F150L17
4	YC110-0203-23	Lower Bar Mount CNC START type, not adjustable ϕ 22.2 / height 55 mm BLACK	Pontet guidon inférieur non ajustable type START ϕ 22.2 / hauteur 55 mm NOIR	2	ALL BIKES2012-2017(BUT50A/SP)
5	YC110-0202-04	Top Bar Mout CNC ϕ 22.2 mm/height 18mm START Type BLACK	pontet guidon supérieur ϕ 22.2 mm Type START NOIR	2	ALL BIKES2013-17 (BUTSP3/BIGYFD190 MX)
6	YC110-0212-02BK	YCF Front Number Plate Black	plaque avant YCF NOIRE	1	F88L17/
7	297-41/22.5	Top Taper roller bearing 41/22.5 R START 08	roulement supérieur 41/22.5	1	50A12-17/F88L17/F88s13-17/F88se15-17/F125L1617/F150L17
8	297-41/24	Lower Taper roller bearing 41/24	roulement inférieur 41/24	1	50A12-17/F88L17/F88s13-17/F88se15-17/F125L1617/F150L17
9	YC110-02-09	Top nut for steering ϕ 52	écrou crantellé colonne direction ϕ 52	1	ALL BIKES2012-2017
10	YC110-02-10	Washer for steering stem nut ϕ 22.5 \times ϕ 36 \times 0.7	joint colonne direction ϕ 22.5 \times ϕ 36 \times 0.7	3	ALL BIKES2012-2017

11	YC110-02-11	Nut for steering stem M22	écrou supérieur colnne direction M22	1	ALL BIKES2012-2017
	YC110-0213-03	Number plate bracket long L=60mm H=53mm	support plaque avant L=60mm H=53mm	1	F12513/F88L17/F88s13-16/F88se15-17/P88s13-15/F125L16
13	YC110-02-14-WH	Break Line Retainer White	guide durite sur plaque avant BLANC	1	ALL BIKES2012-2013/50A14-17/F88L17/F88s14-16/F88se15-17/P88s1415/F125L16/
14	GB70-M8×30	Stud screw M8X30	vis M8X30	2	ALL BIKES2012-17 (BUT50A)
15	GB70-M6×25	Stud screw M6X25	vis M6X25	2	ALL BIKES2012-17 (BUT50A)
16	GB70-M6×25	Stud screw M6X25	vis M6X25	2	ALL BIKES2012-17 (BUT50A)
17	GB70-M8×25	Stud screw M8X25	vis M8X25	2	ALL BIKES2012-17 (BUT50A)
19	GB5787-M6×16-W	Hex. Bolt with Flanged Face M6X16	vis M6X16	2	ALL BIKES2012-17
20	GB9074.5-M6×16-W	Plus screw M6X16 (for bottom front No plate)	vis m6x16 bas plaque No avant	1	50A14-16/F88L17/F88s14-16/F88se1516/P88s1415/F125L16
20	GB9074.5-M6×25-W	Plus screw M6X25 (for top front No plate)	vis m6x25 haute plaque No avant	1	50A14-16/F88L17/F88s14-16/F88se1516/P88s1415/F125L16
21	GB97-Φ4-W	flat washer φ4	rondelle φ4	2	ALL BIKES2012-17
22	GB818-M4×10-W	Plus screw M4×10	vis M4×10	2	ALL BIKES2012-17
23	GB93-Φ8-W	Spring washer Φ8mm	rondelle Φ8mm	4	ALL BIKES2012-17
24	GB6170-M4-W	Nut M4	ecrou M4	2	ALL BIKES2012-17
25	YC110-02-047-BK	Complete Triple Clamp F125L 2016 MATT BLACK	Te Fourche Complet F125L 2016 NOIR MAT	1	F88L17/F125L1617/F150L17
26	YC110-0203-05	Set of Bar mount not adjustable φ22.2mm/bottom 55mm START Type BLACK (with GB70-M8×25 4EA+GB70-M8×30 4EA+GB93-Φ8-W 4EA)	jeu pontet guidon non ajustable φ 22.2mm / pontet bas 55mm Type START NOIR	1	ALL BIKES2012-2017(BUT50A/SP)
27	KRDIRECTION41-2	set of bearing for steering 41/24、 41/22.5	kit rlt colonne direction 41/24、 41/22.5	1	50A12-17/F88L17/F88s13-16/F88se1617/F125L1617/F150L17
28	FB13-9×10×17-W	Front Number plate spacer (Top) φ 8.5×10×17	entretoise Plaque numero avant (Haut) φ 8.5×10×17	1	ALL BIKES2013/50A14-17/50E1617/F88L17/F88s14-16/F88se15-17/P88s1415/F125L16
29	FB13-9×10×7-W	Front Number plate spacer (Bottom) φ 8.5×10×7	entretoise Plaque numero avant (Bas) φ 8.5×10×7	1	F88L17/F125L16

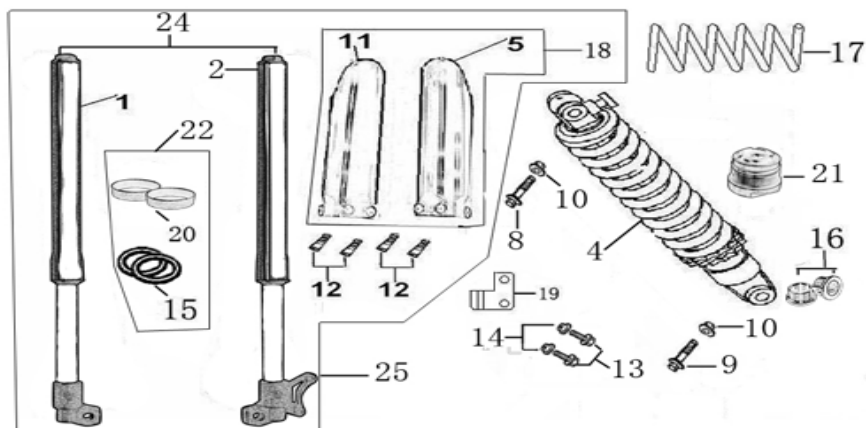
30	YC110-0600-02	Number plate bracket long TOP BLACK	support plaque avant NOIR	1	50A13-17/50E1617/F88L17/F88s13-16/F88se15-17/F125L16
31	GB5787-M6×16-W	Hex. Bolt with Flanged Face M6X16	vis M6X16	1	ALL BIKES2012-2017

Front Fender



N	Ref.	Description	Français	Qty/ Bike	MODEL
1	YC50-031BK	Front Fender YCF50 BLACK	Gb avant YCF50 NOIR	1	F88L17
2	GB5787-M6×20-W	Hex. Bolt with flanged M6X20	vis M6X20	3	ALL BIKES
3	GB96-Φ6-W	Washer φ6×φ18mm	Rondelle φ6×φ18mm	3	ALL BIKES
3	YC110-03-01	Rubber washer Φ6×Φ18×4mm	caoutchouc Φ6×Φ18×4mm	6	ALL BIKES

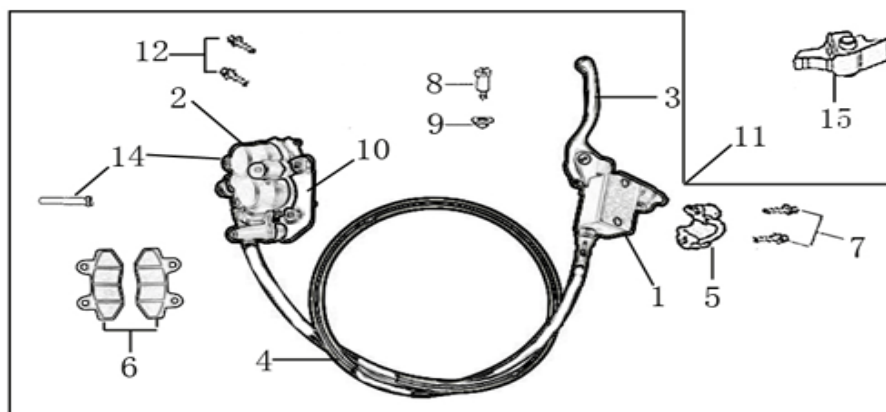
Front & Rear absorber



N	Ref.	Description	Français	Qty/ Bike	MODEL
1	YC110-0401-25	Front right fork 600mm (not adjustable) F88L 2017	Tube fourche droit 600mm F88L 2017	1	F88L17
2	YC110-0402-25	Front left fork 600mm(not adjustable) F88L 2017	Tube fourche gauche 600mm F88L 2017	1	F88L17
4	YC110-0404-72	Shock absorber L=270mm LITE 2017	Amortisseur L=270mm LITE 2017	1	LITE2017

4	YC110-0422-01	Stick for Shock absorber L=220mm	Tube Acier mou maintient moto dans caisse L=220mm	1	F88L17/F88s13-16/F125L1617/F12513-16/F125s13-17/F88s13-15/P1251314/SM125s13-17/F150L17
8	GB5787-M12x50-W	Hex.bolt with flanged face M12x1.25x50	vis M12x1.25x50	1	F88s13-17/F88se15-17/F12513-16/F125s13-17/F125se15-17/SM125s13-17
9	GB5787-M12x45-W	Hex. Bolt with flanged M12X45	vis M12X45	1	P88s13-16/P12513-17/P15013-17/SM15013-17/SP113-17/SP213-17/SP313-17
10	GB6187-M12-W	Self-locking Nut M12	écrou M12	2	ALL BIKES2012-2017(BUT50A)
13	GB5787-M6x16-W	Plus screw M6X16	vis M6X16	2	ALL BIKES2013-17(BUT50A)
14	GB6177-M6-W	Hex. Flanged nut M6	écrou M6	2	ALL BIKES2013-15(BUT50A)/F88s16/F88se1617/F12516/F125s1617/F125se1617/SM125s1617
15	YC110-0415-01	oil seal fork $\phi 33 \times \phi 46 \times 10.8$ mm	jt spy fourche diametre $\phi 33 \times \phi 46 \times 10.8$ mm	2	F88L17/F125L1617/F150L17
16	YC110-0419	shock bottom spacer $\phi 12$ mm (same for top/bottom) LB	entretoise amortisseur bas $\phi 12$ mm pour bras mono LB	4	F88s13-17/F88se15-17/F125L1617/F12512-17/F125s12-17/F125se15-17/P12514-17/P15014-17/SM12-17/BIGY125MX17/150MX17
19	YC110-0403-02	oil steel line retainer on left front fork	passse durite sur protection fourche gauche	2	ALL BIKES2013-15(BUT50A)/F88L17/F88s16/F88se1617/F12516/F125s1617/F125se1617/S
	YC110-0421-01	oil steel line retainer on left front fork	passse durite sur protection fourche gauche	1	ALL BIKES2013-15(BUT50A)/F88L17/F88s16/F88se1617/F12516/F125s1617/F125se1617/S
24	YC110-0400-21	Pair of fork 600mm (not adjustable) F88s Lite 2017	Jeu de fourche 600mm F88s Lite 2017	1	F88L17/

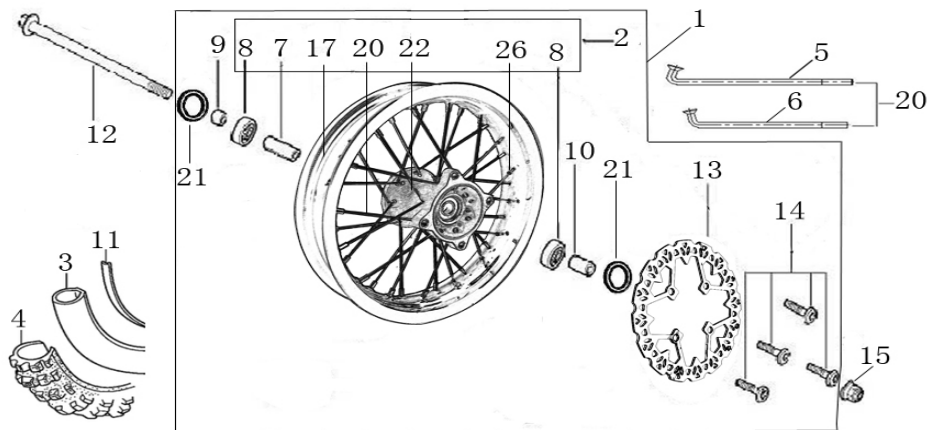
Front Brake Assy



N	Ref.	Description	Français	Qty/ Bike	MODEL
1	YC110-0501-0105	Front Brake Reservoir for 2 pump $\Phi 10$	maitre cylindre frein avant pour étrier 2 pistons $\Phi 10$	1	F88L17/F125L1617/F150L17

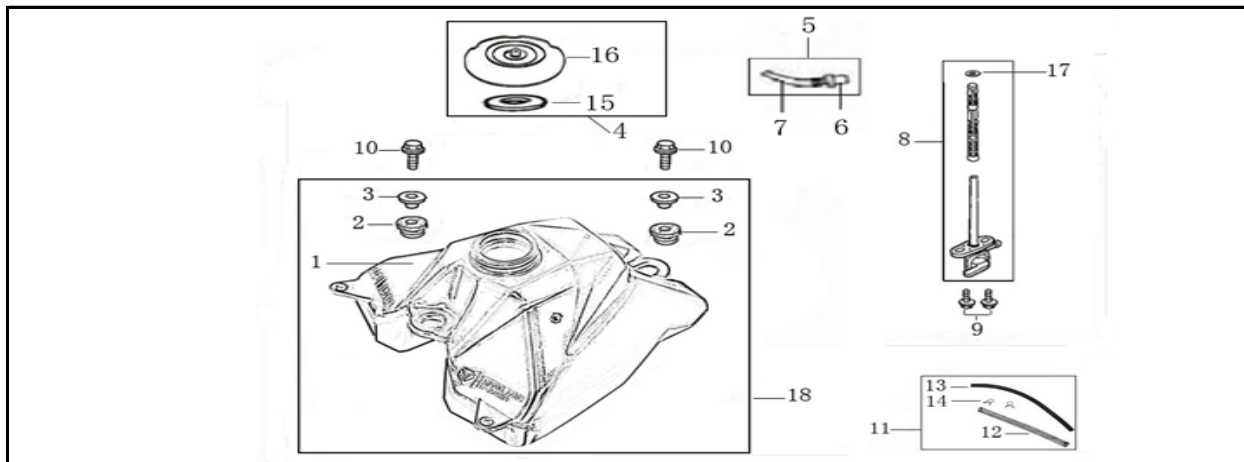
2	YC110-0501-0210	Front Brake Φ 8 F88s LITE 2017	Frein avant Φ 8 F88s LITE 2017	1	F88L17/
3	YC110-0501-014	Front brake lever 2014 With notch	LEVIER FREIN 2014	1	ALL BIKES2014-17(BUT50A)
5	YC110-0501-022	Brake perch bracket for double pump	demi cocotte frein avant pour frein double pistons	1	ALL BIKES2012-17(BUT50A)
7	GB5787-M6 \times 22-G	Hex.bolt with flanged M6X22	vis M6X22	2	ALL BIKES2012-17(BUT50A)
8	HB06-M6 \times 25-G	Hex.bolt with flanged M6X25	vis M6X25	1	ALL BIKES2012-17(BUT50A)
9	GB6177-M6-G	Self-locking nut M6	écrou M6	1	ALL BIKES2012-17(BUT50A)
10	YC110-0501-039	Bracket for front brake F88s LITE 2017	pattede frein pour etrier F88s LITE 2017	1	F88L17
11	YC110-0501-019	Front brake assy 1 pumps L=1000mm Φ 10/ Φ 8 F88s LITE 2017	kit frein avant 1 pistons avec gaine plastic L=1100mm Φ 10/ Φ 8 F88s LITE 2017	1	F88L17/
12	GB70-M6 \times 30-W	Stud screw M6X30	vis M6X30	2	ALL BIKES2012-17 (BUT50A)
15	YC110-0502-01	rubber for brake lever	caoutchouc levier frein avant	1	ALL BIKES2014-17(BUT50A)

Front Wheel Assy



N	Ref.	Description	Français	Qty/ Bike	MODEL
1	YC110-0601-08	Complete STEEL Front wheel 1.4x10' with disk. Casting hub	roue avant complète ACIER 1.4x10' moyeux injecte avec disque	1	F88L17/F88s16/F88se1617

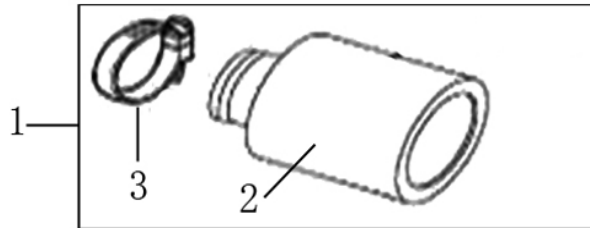
2	YC110-0602-01	Complete STEEL Front wheel 1.4x10' without disk. Casting hub	roue avant complète ACIER 1.4x10' moyeux injecte sans disque	1	F88L17/F88s16/F88se1617
3	CHAMBRE10-2.5	Tube for front tire 2.50-10' GL	chambre air 2.50-10' GL	1	50A12-17/F88L17/F88s13-16/F88se15-17
	FB6170-M8-Cr	Tire valve nut M8	Ecrou M8 pour Chambre a air	1	ALL BIKES
4	250/10	Tire 2.50-10' GUANGLI	pneu 250-10' GUANGLI	1	50A12-17/F88s12-16/F88se1617/F88L17
7	YC110-0601-02	Front axle bushing $\Phi 16 \times \Phi 22 \times 44$	entretoise central roue avant $\Phi 16 \times \Phi 22 \times 44$	1	ALL BIKES2013-15(BUT50A)/ALL BIKES2017(BUT50A/SP2/SP3)
8	96140-6202-2Z	Ball bearing 6202-2Z $\Phi 35 \times \Phi 15 \times 11$	roulement roue 6202-2Z $\Phi 35 \times \Phi 15 \times 11$	2	ALL BIKES2012-2015 (BUT50A) /ALL BIKES2016-17 (BUT50A/SP2/SP3)
9	YC110-06-042	Front wheel spacer right $\phi 15 \times \Phi 22 \times 23\text{mm}$	entretoise roue avant droite $\phi 15 \times \Phi 22 \times 23\text{mm}$	1	ALL BIKES2012-14 (BUT50A)/F88L17/F125L1617/F150L17
10	YC110-06-052	Front wheel spacer left $\phi 15 \times \Phi 22 \times 33\text{mm}$	entretoise roue avant gauche $\phi 15 \times \Phi 22 \times 33\text{mm}$	1	ALL BIKES2012-2015 (BUT50A)/ALL BIKES2016-17(BUT50A/SP2/SP3)
11	YC110-11-02	Tire lining for 10'	fond jante av 10'	1	50A12-17/F88s12-16/F88se15-17/F88L17
12	YC110-11-074	Front wheel axle L=215mm with Self locking nut M14	Axe de roue avant $\Phi 15$ L=215mm	1	LITE2017
13	YC110-1115-01	Front disk $\phi 200$ mm 2016	disque frein avant $\phi 200$ mm 2016	1	F88s16/F88se1617/F88L17
14	GB70.2-M8x16	Screw for disk M8X16	vis disque frein M8X16	4	ALL BIKES2016-17 (BUT50A)
15	GB6187-M14-W	Self-locking nut M14	écrou roue avant M14	1	ALL BIKES2012-17(BUT50A)
17	YC50-0617-01	STEEL Rim for Front wheel 1.4x10'	cerceau roue av 1,4x10' ACIER	1	50A12-17/F88s12-16/F88se15-17/F88L17
20	JR10-10	set of front spoke 10' (98mmx24+104mmx8)	Jeu rayon avant 10' (98mmx24+104mmx8)	1	F88s12-16/F88se15-17/F88L17
21	YC110-0611	OIL SEAL $\Phi 23 \times \Phi 35 \times 5$	joint spy roue $\Phi 23 \times \Phi 35 \times 5$	2	ALL BIKES2013-17(BUT50A)
22	YC110-0622-02	Front hub casting with oil seal	moyeux avant injectée avec joint spy	1	ALL BIKES2012-15 (BUT50A/SPII/SPIII)/ALL BIKES 2016-17(BUT50A/SP/BIGY)
Fuel Tank					



N	Ref.	Description	Français	Qty/ Bike	MODEL
1	YC110-0701-01	YCF Fuel tank with YC110-1910 1EA (suitable for pre 2013 bikes)	Reservoir YCF (Adaptable pour motos avant 2013)	1	ALL BIKES2013-17 (BUT50A/50E)
2	YC110-07-01	Cushion for fuel tank	caoutchouc pour reservoir	2	ALL BIKES2011-17
3	YC110-07-02	Washer for fuel tank $\Phi 12 \times \Phi 30 \times 11$ mm	entretoise pour reservoir $\Phi 12 \times \Phi 30 \times 11$ mm	2	ALL BIKES2011-17
4	YC110-0702-01	YCF Tank cap plastic 2013	Bouchon reservoir plastique YCF 2013	1	ALL BIKES2013-17
5	YC125-0704-BK	Fuel tank valve BLACK	Valve prise air NOIR	1	ALL BIKES
6	YC110-0704-BK	Cap of Fuel tank valve BLACK	Capuchon Valve prise air NOIR	1	ALL BIKES
7	YC110-0705-BK	Fuel tank valve Hose L=40mm BLACK	Durite caoutchouc Vale prise air L=40mm NOIRE	1	ALL BIKES
8	YC110-0703	Fuel cock assy.	robinet essence	1	ALL BIKES
9	GB5787-M6×16-W	Hex. Bolt with flanged M6X16	vis M6X16	2	ALL BIKES
10	GB5787-M8×25-B	Hex. Bolt with flanged M8X25 BLACK	vis M8X25 NOIR	2	50A13-17/F88s13-16/F88se15-17/F88L17/F125L1617/F150L17/F12513-16/F125s13-17/F125se15-17/SM125s13-17
11	YC110-0706	fuel tank rubber line + spring $\Phi 4.5 \times \Phi 8.5 \times 210$ mm	durite reservoir avec ressort $\Phi 4.5 \times \Phi 8.5 \times 210$ mm	1	ALL BIKES
12	YC110-07061	fuel tank lspring L=180mm	ressort durite reservoir L=180mm	1	ALL BIKES
13	YC110-07062	fuel tank rubber line $\Phi 4.5 \times \Phi 8.5 \times 210$	durite reservoir $\Phi 4.5 \times \Phi 8.5 \times 210$	1	ALL BIKES
14	YC110-07063	Holding ring	collier FILTRE	2	ALL BIKES

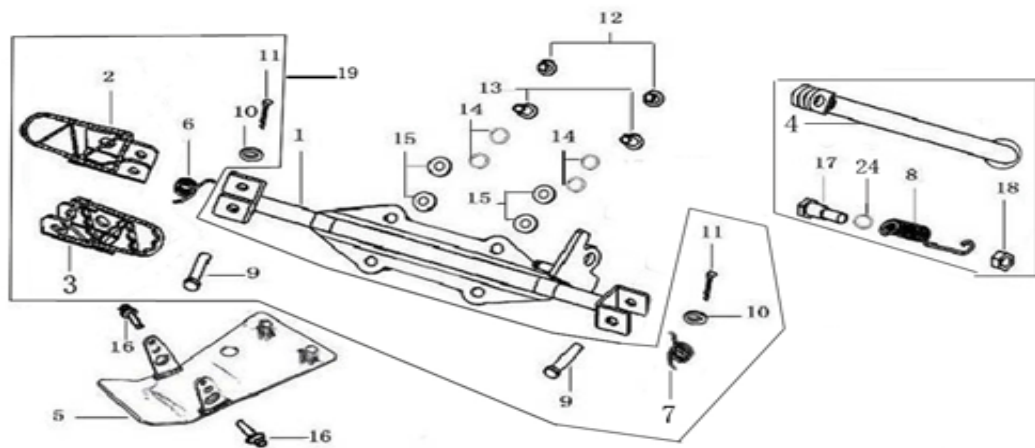
15	YC110-0720-02	Rubber mat for tank cap plastic Φ14×Φ52×2mm Oil proof	Caoutchouc bouchon reservoir YCF Φ14×Φ52×2mm	1	ALL BIKES2013-17
17	YC110-0717	O-RING,Φ11×3mm For Fuel tank	Joint Thorique Φ11×3mm pour Reservoir	1	ALL BIKES2013-17 (BUT50A/50E)
18	YC110-0718	YCF Complete fuel tank suitable for pre 2013 bikes (with YC110-07-01 2EA+YC110-07-02 2EA+YC110-1910 1EA)	Reservoir complet YCF 2013 (Adaptable pour motos avant 2013)	1	ALL BIKES2013-17 (BUT50A/50E)

Air Filter



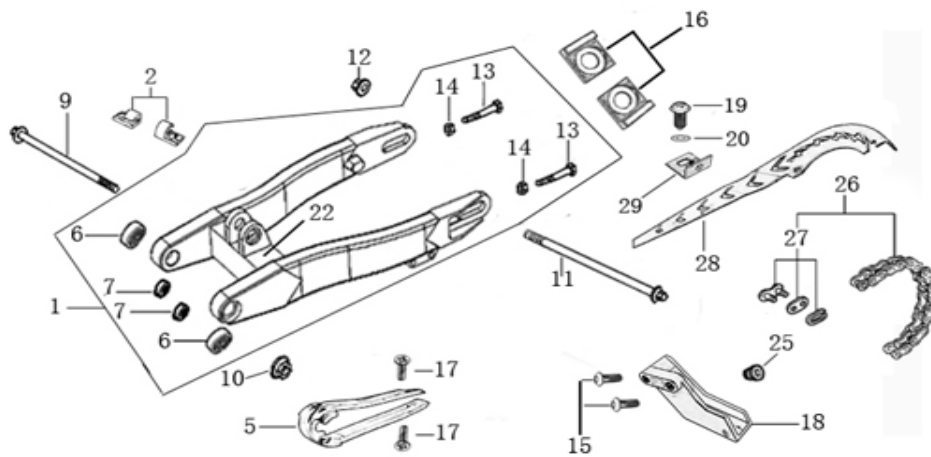
N	Ref.	Description	Français	Qty/ Bike	MODEL
1	YC110-0802-01RD	Air filter assy Φ38mm 2014 (with YC110-0805 1EA)	filtre air Φ38mm Complet 2014	1	F88L17/F125L1617/F150L17/F12514-16/F125s14-17/F125se15-17/P1251415/P1501415/S M125s14-17/SM1501415
2	YC110-0801-01-RD	Air filter Φ38mm YCF LOGO 2014 RED	YCF filtre seul Φ38mm 2014 ROUGE	1	F88L17/F125L1617/F150L17/F12514-16/F125s14-17/F125se15-17/P1251415/P1501415/S M125s14-17/SM1501415
3	YC110-0805	Holding ring φ27-φ51mm	collier Filtre φ27-φ51mm	1	ALL BIKES2012-17 (BUT50A)

Foot Peg assy



N	Ref.	Description	Français	Qty/ Bike	MODEL
1	YC88-0901-01	Foot pegs bar START F88s GREY	barre repose pied Grise START F88s GRISE 2013	1	F88s13-16/F88se15-17/F88L17/F125L1617/F150L17
2	YC110-0902-01	Right foot peg Steel START / PILOT 2013 GREY	Repose pied Acier droit START / PILOT 2013 GRIS	1	F88s13-16/F88se15-17/F88L17/F125L1617/F150L17/F12513-16/F125s13-17/F125se15-17/F88s13-15/P12513-17/P15013-17/SM13-17

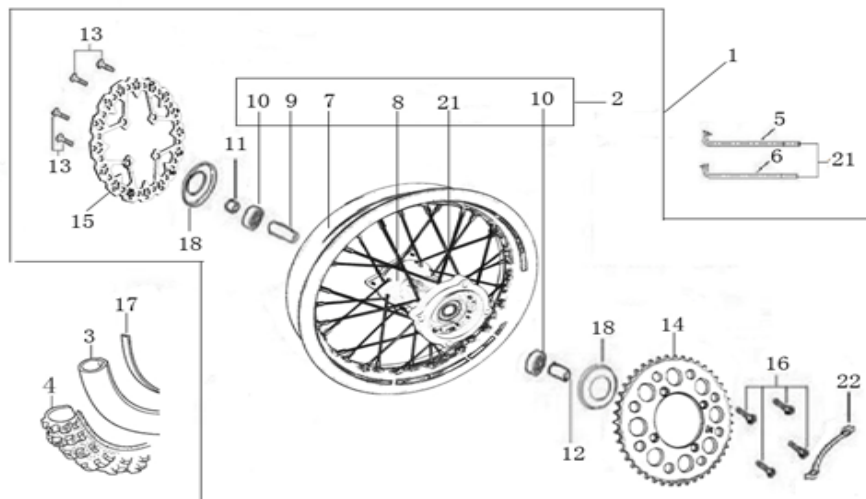
3	YC110-0903-01	Left foot peg Steel START / PILOT 2013 GREY	Repose pied Acier gauche START / PILOT 2013 GRIS	1	F88s13-16/F88se15-17/F88L17//F125L1617/F150L17/F12513-16/F125s13-17/F125se15-17/P88s13-15/P12513-17/P15013-17/SM13-17
4	YC110-198	Kick stand 225mm	bequille 225mm	1	F88s12-16/F88se15-17/F88L17
5	YC110-204-01	YCF Engine skid plate Steel START F88s / PILOT F88s MATTE BLACK	Sabot moteur Acier YCF START F88s / PILOT F88s NOIR MAT	1	F88s13-16/P88s13-14/F88L17
6	YC110-09-01	Spring for right steel foot peg $\Phi 1.5 \times \Phi 16.5 \times 10\text{mm}$	ressort repose pied droit acier $\Phi 1.5 \times \Phi 16.5 \times 10\text{mm}$	1	ALL BIKES2013-2017(BUTSP/BIGYF150MX/FD190MX)
7	YC110-09-02	Spring for left steel foot peg $\Phi 1.5 \times \Phi 16.5 \times 10\text{mm}$	ressort repose pied gauche acier $\Phi 1.5 \times \Phi 16.5 \times 10\text{mm}$	1	ALL BIKES2013-2017(BUTSP/BIGYF150MX/FD190MX)
8	YC110-19-01	spring for kick stand $\Phi 2.5 \times \Phi 15 \times 105$	ressort bequille $\Phi 2.5 \times \Phi 15 \times 105$	1	ALL BIKES2014-17(BUTSP1/SP2/SP3)
9	GB882- $\Phi 8 \times 43$ -W	shaft pin for steel footpegs $\phi 8 \times 43$	axe repose pied acier $\phi 8 \times 43$	2	ALL BIKES2014-17(BUT50A/50E/SP1/SP2/SP3)
10	GB97- $\Phi 8$ -W	flat washer $\phi 8 \times 16 \times 1$	rondelle $\phi 8 \times 16 \times 1$	2	ALL BIKES2011-17
11	GB91- $\Phi 2 \times 25$ -W	Cotter pin 2.0x25	goupille 2.0x25	2	ALL BIKES2013-17
12	GB5787-M8x25-W	screw M8X25	vis M8x25	2	F88s13-16/F88se15-17/F12513-16/F125s13-17/F125se15-17/SM125s13-17
13	GB5787-M8x50-W	screw M8X50	vis M8x50	2	F88s13-16/F88se15-17/F88L17/F125L1617/F150L17
14	GB93- $\Phi 8$ -W	Foot pegs bar washer $\phi 8$	rondelle $\phi 8$	4	F88L17/F88s13-16/F88se15-17/F125L17/F150L17/F125s13-16/F125s13-17/F125se15-17/SM125s13-17
15	GB97- $\Phi 8$ -W	flat washer $\phi 8 \times 16 \times 1$	rondelle $\phi 8 \times 16 \times 1$	4	ALL BIKES2011-17
16	GB5787-M6x16-W	screw M6X16 for skid plate	vis sabot M6X16	2	ALL BIKES2012-17(BUT50A)
17	FB02-M10x1.5x30I	Stepped screw M10X35 for kick stand	vis bequille M10X35	1	ALL BIKES2014-17(BUTSP1/SP2/SP3)
18	GB6170-M10-G	Hex. Nut M10	ecrou bequille M10	1	ALL BIKES2014-17(BUTSP1/SP2/SP3)
19	YC110-0902/10	Steel foot pegs set START / PILOT 2013 GREY	Jeu repose pied Acier START / PILOT 2013 GRIS	1	F88L17/F88s13-16/F88se15-17/F125L1617/F150L17/F125s13-16/F125s13-17/F125se15-17/P88s13-15/P12513-17/P15013-17/SM13-17
24	GB93- $\Phi 10$ -W	Standard spring washer $\phi 10$	rondelle $\phi 10$	1	ALL BIKES2014-17(BUTSP1/SP2/SP3)
Swing Arm assy					



N	Ref.	Description	Français	Qty/ Bike	MODEL
1	YC110-1001-12	Cantilever swing arm LITE 2017	Bras oscillant Cantilever Acier LITE 2017	1	LITE 2017
2	YC110-10-014-BK	Rear brake clip for BLACK	attache durite frein arriere NOIR	1	ALL BIKES2012-15(BUTSP1/SP2/SP3)/ ALL BIKES2016-17 (BUTSP2/SP3)
5	YC110-10-021	chan slider short	patin chaine court	1	LITE 2017
6	6001/28-12-08	Swing arm bearing $\phi 28 \times \phi 12 \times 8 \text{mm}$	roulement bras oscillant $\phi 28 \times \phi 12 \times 8 \text{mm}$	2	ALL BIKES2009-17
7	YC110-1001-013	Spacer for swing arm $\Phi 12 \times \Phi 20 \times 11.5$	entretoise $\Phi 12 \times \Phi 20 \times 11.5$	2	P88L17/P88s12-16/P88se15-17/F125L1617/F150L17/F12512-16/F125s12-17/F125se15-17/P88s12-15/P12513-17/P15013-17/SM12-17/SP1617
9	YC110-10-037	Swing arm shaft with self lock nut M12 L=205mm	axe bras oscillant avec ecrou M12 L=205mm	1	LITE 2017
10	GB6187-M12-W	Self locking nut M12	ecrou bras oscillant M12	1	ALL BIKES2012-17
11	YC110-11-078	Rear wheel axle L=245mm with Self locking nut M14	axe roue arriere avec ecrou L=245mm avec ecrou M14	1	LITE2017
12	GB6187-M14-W	Self locking nut M14	ecrou axe roue arriere M14	1	ALL BIKES2012-17(BUT50A)
15	GB70.2-M8x16	Screw M8X16	vis M8X16	2	ALL BIKES2016-17 (BUT50A)
16	YC110-1016-01	Block axle $\Phi 15$ LITE 2017	Tendeur chaine $\Phi 15$ LITE 2017	2	LITE 2017
	YC50-1001-002	YCF50 Block axle fixing plate	Patte acier fixation tendeur chaine YCF50	2	50A12-17/50E1617/LITE 2017

	GB6189-M8-W	Cltch Self-lock Nut M8	ecrou M8	2	50A12-17/50E1617/LITE 2017
17	GB819-M6×16-W	Plus screw M6X16	vis m6x16	3	ALL BIKES2015-17(BUTSP2/SP3/BIG YF150MX/FD190MX)
	GB6100-M6-CW	nut M6×25mm	Vis M6×25mm	3	ALL BIKES2015-17(BUTSP2/SP3/BIG YF150MX/FD190MX)
18	YC88-1004	chain guide assy WHITE	guide chaine BLANC	1	5011/F88s12-1516/F88se1516/F88L17
19	GB818-M6×12-W	Plus screw M6x12	vis M6x12	3	ALL BIKES2012-17(BUT50A)
20	GB97-Φ6	Flat washer φ6	rondelle φ6	3	ALL BIKES2012-17
26	420H-104T	Chain 420H-104T, normal	chaîne 420 104 maillons standard	1	F88L17/F125L16/F12512-16/F125s12-17/F125se15-17/P1251314/P1501314/SM125s12-17/SM15012-14
27	AR-420	Chain link	Attache rapide chaîne	1	All BIKES2012-17(BUT50E)
28	YC110-0600-01	Chain box protection	Protection chaîne plastique	1	ALL BIKES2012-2015(BUT50A)/ ALL BIKES2016-17(BUT50A/F88s/F88se/BIGY)
29	YC110-0600-02	Chain box protection support	Support Protection chaîne plastique	2	ALL BIKES2012-2017(BUT50A)

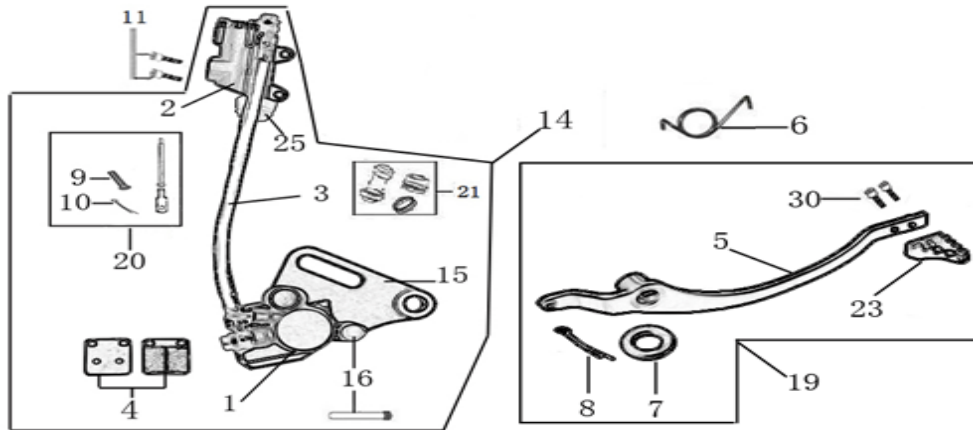
Rear Wheel Assy



N	Ref.	Description	Français	Qty/ Bike	MODEL
1	YC110-1101-0A	Complete STEEL Rear wheel 1.40x10' with YCF disk. Casting hub	roue arriere complète ACIER 1.40x10' avec disque YCF moyeux injecte	1	F88L17/F88s16/F88se1617
2	YC110-1102-01	Complete STEEL Rear wheel 1.40x10' without disk. Casting hub	roue arriere complète ACIER 1.40x10' moyeux injecte sans disque	1	F88L17/F88s16/F88se1617

3	CHAMBRE10	Tube for Rear tire 3.00-10' GL	chambre air 10' standard GL	1	F88s14-16/F88se15-17/P88s1415/F88L17
	FB6170-M8-Cr	Tire valve nut M8	Ecrou M8 Chambre a air	1	ALL BIKES
4	300/10	YCF tyre 3.00/10'	pneu 3.00/10' YCF	1	F88L17/F88s12-16/F88se15-17/P88s12-15
7	YC50-1117-01	STEEL Rim 1.40x10'	cerceau roue 1,40x10 ACIER	1	50A12-17/F88L17/F88s12-16/F88se15-17/P88s12-15
8	YC110-1122-02	Rear wheel hub Casting with oil seal	moyeux arriere injectée avec joint spy	1	ALL BIKES2012-17 (BUT50A/SP/BIGY)
10	96140-6202-2Z	Ball bearing 6202-2Z $\Phi 35 \times \Phi 15 \times 11$	roulement roue 6202-2Z $\Phi 35 \times \Phi 15 \times 11$	2	ALL BIKES2012-2015 (BUT50A) / ALL BIKES2016-17 (BUT50A/SP2/SP3)
11	YC110-11-041	Rear wheel spacer right $\Phi 15 \times \Phi 22 \times 29$ mm	entretoise roue arriere droite $\Phi 15 \times \Phi 22 \times 29$ mm	1	F88s12-16/F88se15-17/F88L17/F125L1617/F150L17/F12512-16/F125s12-17/F125se15-17/P88s12-15/P12513-17/P15013-17/SM12-17/SP11617
12	YC110-11-052	Rear wheel spacer left $\Phi 15 \times \Phi 22 \times 38$ mm	entretoise roue arriere gauche $\Phi 15 \times \Phi 22 \times 38$ mm	1	F88s12-16/F88se1517/F88L17/F125L1617/F150L17/F12512-16/F125s12-17/F125se15-17/P88s12-15/P12513-17/P15013-17/SM12-17/SP11617
13	GB70.2-M8x16	Screw for disk M8X16	vis disque frein M8X16	4	ALL BIKES2016-17 (BUT50A)
14	YC110-11-06/41	YCF Driven sprocket 420-41T	couronne acier 41T YCF	1	50A12-15/F88L17/F88s12-16/F88se1617/P88s12-15
15	YC110-1115-01	Rear Brake disc $\phi 200$ mm 2016	Disque frein arriere $\phi 200$ mm 2016	1	ALL BIKES 2016-17(BUT50A)
16	GB5783-M8x25-W	Exterior Hex.Bolt M8X25	vis M8x25	4	F88s13-16/F88se15-17/F88L17/F125L1617/F150L17/F12513-16/F125s13-17/F125se15-17/P88s13-15/P12513-17/P15013-17/SM13-17
17	YC110-11-02	Tire lining for 10'	fond jante 10'	1	50A12-17/F88s12-16/F88se15-17/F88L17/P88s12-15
18	YC110-0611	OIL SEAL $\Phi 23 \times \Phi 35 \times 5$	joint spy roue $\Phi 23 \times \Phi 35 \times 5$	2	ALL BIKES2013-17(BUT50A)
21	JR10-10.5	set of spoke 10' (106mmx16+111mmx16)	jeu rayon arriere 10' (106mmx16+111mmx16)	1	50A12-17/50E1617/F88s12-16/F88se15-17/F88L17/P88s13-15
22	YC110-11-03	Sprocket Locking piece	block couronne	2	ALL BIKES2013-17 (BUTSP1/SP2/SP3/BI-GY)

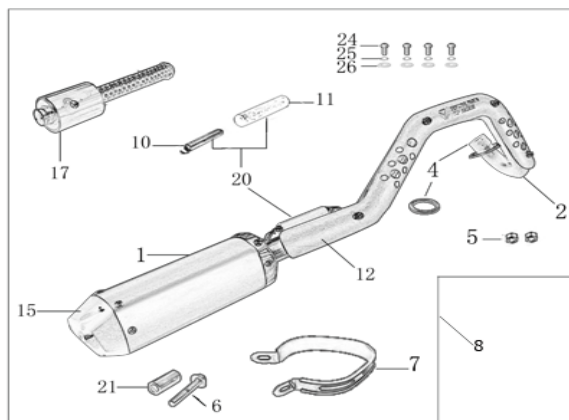
REAR BRAKE



N	Ref.	Description	Français	Qty/ Bike	MODEL
1	YC110-1201-12	Rear Caliper 1 pistons Φ 10 LITE 2017	étrier frein arrière 1 piston sans amiante Φ 10 LITE 2017	1	LITE2017
2	YC110-1201026	Rear reservoir Φ 10	maître cylindre frein arrière avec embout durite Φ 10	1	F88L17/F125L1617/F150L17
4	YC110-120104	Friction pad for 1 piston brake	plaquette frein arrière 1 piston	2	F88s12-16/F88se15-17/F88L17/F125L1617/F150L17
5	YC110-1205-03	Steel brake pedal START F88s	pédale de frein START F88s	1	F88s12-16/F88se15-17/F88L17/F125L1617/F150L17
6	YC110-21-01	Spring for Steel brake pedal' Φ 3 \times Φ 32 \times 7mm	ressort pour pédale de frein Acier Φ 3 \times Φ 32 \times 7mm	1	ALL BIKES2013-14(BUT50A)/ALL BIKES2015-2017(BUT50A/SP/F150MX/FD190MX)
7	FB20-15 \times 25 \times 2-W	Flat washer Φ 14.5 \times Φ 25 \times 2	rondelle Φ 14.5 \times Φ 25 \times 2	1	F88s13-16/F88se15-17/F88L17/F125L1617/F150L17/F125s13-16/F125s13-17/F125se15-17/SM125s13-17
8	GB91- Φ 2.5 \times 30-W	Slipt Pin Φ 2.5 \times 30mm	goupille Φ 2.5 \times 30mm	1	F88s13-16/F88se15-17/F88L17/F125L1617/F150L17/F125s13-16/F125s13-17/F125se15-17/SM125s13-17
9	GB882- Φ 7 \times 16-W	Pin shaft 7 \times 16mm	axe 7 \times 16mm	1	ALL BIKES2012-17 (BUT50A)
10	GB91- Φ 1.6 \times 16-W	Split pin 1.6 \times 16mm	goupille 1.6 \times 16mm	1	ALL BIKES2012-17 (BUT50A)
11	GB70-M6 \times 20	Hex. Bolt M6 \times 20	vis M6 \times 20	2	ALL BIKES2012-17 (BUT50A)
14	YC110-12012-31	Rear brake aasy 1 piston L=450mm Φ 10/10 LITE 2017	Kit frein arriere 1 piston avec gaine plastic L=450mm Φ 10/10 LITE 2017	1	LITE2017
15	YC110-1215-12	Rear brake bracket LITE 2017	patte fixation étrier frein arriere LITE 2017	1	LITE2017
16	YC110-1255	Rear Brake pads Screw L=38mm	Vis plaquette AR L=38mm	2	ALL BIKES2012-15(BUT50A)/ALL BIKES2016-17(BUT50A/SP2/SP3)

19	YC110-213	Steel Brake pedal	pédale de frein Acier	1	5011/F88s12-16/F88se1517/F88L17/F125L1617/F150L17
20	YC110-12021	Rear reservoir push stick L=115mm	Tige poussoir maitre cylindre L=115mm	1	F88s13-16/F88se15-17/F88L17/F125L1617/F150L17/F125s13-16/F125s13-17/F125se15-17/SM125s13-17
21	YC110-120110	rubber for rear caliper	jeu de caoutgouc d'etrier frein arriere	1	ALL BIKES2012-2015 (BUT50A) /F88s16/F88se1617/F88L17/F125L1617/F150L17/F12516/F125s1617/F125se1617/SM125s1617
23	YC110-21-10	Steel brake pedal end cap	embout pédale de frein Acier	1	F88s12-16/F88se15-17/F88L17/F125L1617/F150L17/F12512-16/F125s12-17/F125se15-17/P88s12-15/P12513-17/P15013-17/SM12-17
25	YC110-12025	Rubber for REAR RESERVOIR PUSH STICK	Caoutchouc tige maitre cylindre frein arrier	1	ALL BIKES2012-2015 (BUT50A) /F88s16/F88se1617/F88L17/F125L1617/F150L17/F12516/F125s1617/F125se1617/SM125s1617
30	GB70-M6×16-Cr	Hex. Bolt M6x16	vis M6x16	2	F88s13-16/F88se15-17/F88L17/F125L1617/F150L17/F12513-16/F125s13-17/F125se15-17/P88s13-15/P12513-17/P15013-17/SM13-17

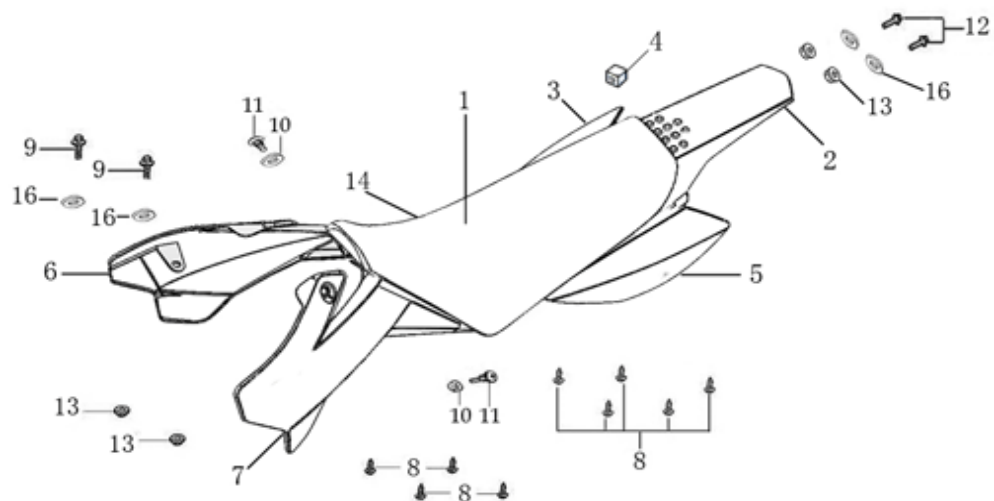
Exhaust system



N	Ref.	Description	Français	Qty/ Bike	MODEL
1	YC110-13016-GY	YCF Muffler 94db START L=295mm (1 springs) 2015 GREY	silencieux YCF 94db 2015 GRISE	1	F88s1516/F88se15-17/F88L17/F125L1617/F150L17/F1251516/F125s15-17/F125se15-17/P88s15/P12515-
2	YC110-13022-02	Exhaust pipe with protection plate Φ 28 mm START 2013	collecteur avec plaque Φ 28 mm START 2013	1	F88s13-16/F88se15-17/F88L17/F125L1617/F150L17/F12513-16/F125s13-17/F125se15-17/SM125s13-17
4	18291/152FMH	Exhaust pipe washer ϕ 32 \times ϕ 25.5 \times 4	joint pot ϕ 32 \times ϕ 25.5 \times 4	1	ALL BIKES2012-17 (BUT50A/50E)
5	GB6170-M6-W	Hex flanged self locking nut M6	écrou M6	2	ALL BIKES
6	GB5787-M8×40-W	Hex. Bolt with flanged M8x40	vis M8x40	1	F88s13-16/F88se15-17/F88L17/F125L1617/F150L17/F12513-16/F125s13-17/F125se15-17/SM125s13-17/SP113-17/SP213-17/SP313-17
7	YC110-13-04	Hoop for muffler YCF START 2011(with FB13- Φ 10 \times Φ 14 \times 23-W 1EA+GB5787-M8 \times 40-W 1EA)	Attache silencieux YCF START 2011	1	5011/F88s12-16/F88se15-17/F88L17/F125L1617/F150L17/F12512-16/F125s12-17/F125se15-17/P88s12-15/P12513-17/P15012-17/SP112-17/SM12-17

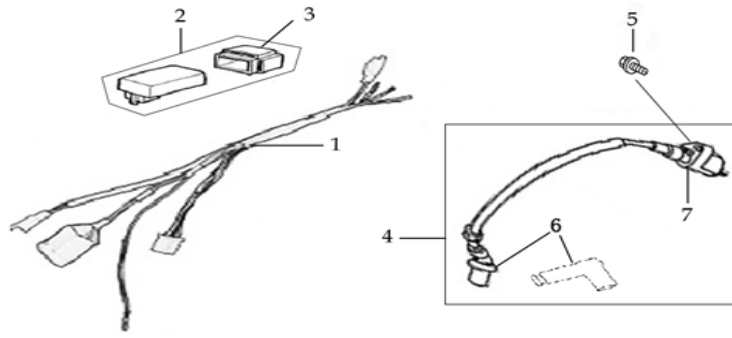
8	YC110-136-GY	START Muffler& Exhaust pipe assy YCF 94db (1 spring)	Echappement complet YCF 94db START (1 ressort)	1	F88s1516/F88se15-17/F88L17/F125L1617/F150L17/F1251516/F125s15-17/F125se15-17/SM125s15-17
10	YC110-13-201	muffler spring $\Phi 6.5 \times \Phi 9 \times 50\text{mm}$	ressort pot $\Phi 6.5 \times \Phi 9 \times 50\text{mm}$	1	ALL BIKES2012-14(BUT50A)/ALL BIKES2015-17 (BUT50A/SP2/SP3/BI GYF150MX/FD190MX)
11	YC110-138	rubber for muffler spring	caoutchouc ressort pot	1	ALL BIKES2012-17(BUT50A)
12	YC110-1312	Protection for exhaust pipe START SM125s 2013	Grille pot START SM125s	1	F88s13-16/F88se15-17/F88L17/F125L1617/F150L17/F12513-16/F125s13-17/F125se15-17/SM125s13-17
15	YC110-13-32	Muffler end cap YCF	Emout silencieux YCF	1	5011/F88s12-16/F88se15-17/F88L17/F125L1617/F150L17/F12512-16/F125s12-17/F125se15-17/P88s12-15/P12513-17/P15013-17/SM12-17/SP113-17
17	YC110-13-301	Noise reducer (spark arrestor) YCF START	Bride de pot YCF START	1	F88s12-16/F88se15-17/F88L17/F125L1617/F150L17/F12512-16/F125s12-17/F125se15-17/P88s12-15/P12513-17/P15013-17/SM12-17/SP112-17
20	YC110-13-21	muffler spring with rubber	ressort pot avec le caoutchouc	1	ALL BIKES2012-14(BUT50A)/ALL BIKES2015-17 (BUT50A/SP2/SP3/BI GYF150MX/FD190MX)
21	FB13-10 \times 14 \times 28-W	Muffler Hoop spacer $\Phi 10 \times \Phi 14 \times 28\text{mm}$	Entretoise attache silencieux $\Phi 10 \times \Phi 14 \times 28\text{mm}$	1	LITE2017
24	GB70.2-M6 \times 10-Cr	Plus screw M6 \times 10	vis M6 \times 10	4	ALL BIKES2013-17
25	GB93- $\Phi 6$ -W	Standard spring washer $\phi 6$	rondelle $\phi 6$	4	ALL BIKES2013-17
26	GB97- $\Phi 6$ -W	flat washer $\phi 6$	rondelle $\phi 6$	4	ALL BIKES2013-17

Seat & Plastic kit



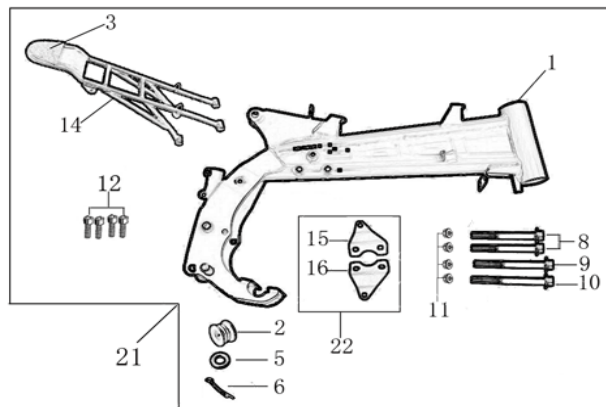
N	Ref.	Description	Français	Qty/ Bike	MODEL
1	YC110-1401-10	CRF 50 Seat assy L=480mm	selle CRF 50	1	F88s1617/F88se1617/F88L17/F1251617/F150L17/F125s1617/F125se1617/SM125s1617

2	YC110-14-012BK	YCF Rear fender 2013 BLACK	Garde boue arrière YCF 2013 avec Picots NOIR	1	F88s1314/F88L17/F125L1617/F150L17/F1251314/F125s1314/SP11314/SPII1314/SPIII1314/SM125s1314/SM125s17
3	YC110-14-022BK	YCF right side plastic BLACK	Plaque latérale droite YCF NOIRE	1	SM12512/P88s1314/F88L17/F125L1617/F150L17/P1251314/P1501314
4	YC110-14-03	Cushion for right side plastic	caoutchouc plaque laterale droite	1	ALL BIKES
5	YC110-14-042BK	YCF left side plastic BLACK	Plaque laterale gauche YCF NOIRE	1	SM12512/P88s1314/F88L17/F125L1617/F150L17/P1251314/P1501314
6	YC110-14-052BK	YCF Right shroud BLACK	Ouie radiateur droite YCF NOIRE	1	ALL BIKES2015-16(BUT50A/50E)/F88L17/F125L17/F150L17/SM17
7	YC110-14-062BK	YCF Left side shroud BLACK	Ouie radiateur gauche YCF NOIRE	1	ALL BIKES2015-16(BUT50A/50E)/F88L17/F125L17/F150L17/SM17
8	GB845-ST4.8x16-G	Screw for plastic kit ST4.8x16	vis plastique ST4.8x16	9	ALL BIKES2012-17(BUT BIGY)
9	GB5787-M6x20-W	hex. Bolt with flanged M6x20	vis M6x20	2	ALL BIKES2012-17(BUT BIGY)
10	YC110-02-13	Rubber washer $\Phi 6 \times \Phi 14 \times 3$ mm	joint caoutchouc $\Phi 6 \times \Phi 14 \times 3$ mm	2	ALL BIKES2012-17
11	FB5787-M5x12-W	hex. Bolt with flanged M5x12	vis M5x12	2	ALL BIKES2012-17
11	GB96- $\Phi 5$ -W	flat washer $\Phi 5 \times \Phi 12$	rondelle $\Phi 5 \times \Phi 12$	2	ALL BIKES2015-17
12	GB5787-M6x20-B	hex. Bolt with flanged M6x20 BLACK	vis M6x20 NOIR	2	ALL BIKES2015-17
13	GB6177-M6-W	Hex. Flanged nut M6	écrou M6	2	ALL BIKES2015-17
14	YC110-14024	START seat cover	Housse selle START	1	F88s16/F88se1617/F88L17/F125L17/F150L17/F1251617/F125s1617/F125se1617/SM125s1617
16	YC110-03-01	Rubber washer $\Phi 6 \times \Phi 18 \times 4$ mm	joint caoutchouc $\Phi 6 \times \Phi 18 \times 4$ mm	4	ALL BIKES2012-17
16	GB96- $\Phi 6$	flat washer $\phi 6$	rondelle $\phi 6$	4	ALL BIKES2012-17
ELECTRIC					



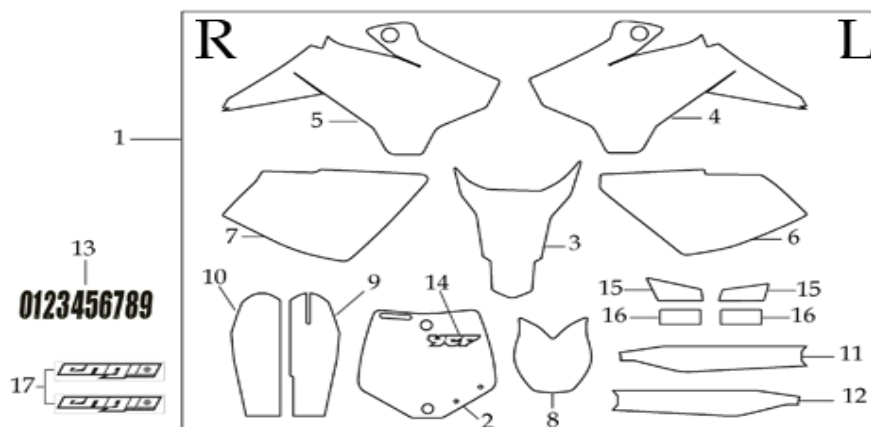
N	Ref.	Description	Français	Qty/ Bike	MODEL
1	YC110-1501-11	Wire harness Waterproof 2017	Faisceaux électrique ETANCHE 2017	1	F125L17/F125s17/P12517 /P15017/SP117/SP217/S M17/BIGY125MX17/150 MX17/F150MX17
2	YC88-1503	CDI Ignitor assy.88cc	CDI 88cc	1	5011/F88s12- 16/F88se15- 17/P88s12-15/F88L17
3	YC110-1501-03	Ignitor rubber	caoutchouc cdi	1	ALL BIKES2012- 17 (BUT50A/SP3/BI GYFD190MX)
4	YC110-1504-05	Ignitor coil L=160mm	bobine haute tension L=160mm	1	F88s13-16/F88se15- 17/F88L17/F125L161 7/F150L17
5	GB5787-M6×20	Hex. Bolt with flanged M6x20	vis M6x20	1	ALL BIKES2013- 17(BUT50A/SP3)
6	YC110-1505	anti interference red	anti parasite rouge	1	ALL BIKES2012- 2017 (BUT50A/50E/SP3 /BIGYFD190MX)
7	YC110-1504	Ignitor coil	bobine haute tension	1	ALL BIKES2012- 2017 (BUT50A/50E/SP3 /BIGYFD190MX)

Frame



N	Ref.	Description	Français	Qty/ Bike	MODEL
1	YC88-172-05-WH	Frame WHITE LITE 2017	Cadre LITE 2017 BLANC	1	LITE 2017
2	YC110-2201	YCF Chain tensioner component	roulette chaine YCF	1	ALL BIKES2011- 17 (BUT50A)

3	YC110-0700-11	Tail cover sponge	Mousse Boucle arriere	1	ALL BIKES2014-16(BUT50A/SP3)/ALL BIKES2017 (BUT50A/SP/BIGY)
5	GB97-Φ10-W	Flat washer φ10x17x2	rondelle φ10x17x2	1	ALL BIKES2014-17 (BUT50A)
6	GB91-Φ2×25-W	cotter pin φ2.0×25	goupille φ2.0×25	1	ALL BIKES2012-17 (BUT50A)
8	GB5787-M8×70-W	Hex. Bolt with flanger M8x70	vis M8x70	2	F125L1617/F12513-16/F125s13-17/F125se15-17/SM125s13-17/F150L17
9	GB5787-M8×110-W	Hex. Bolt with flanger face M8X110	vis m8x110	1	F88s13-16/F88se15-17/F125L1617/F12513-16/F125s13-17/F125se15-17/F88s13-15/F12513-17/P1513-17/F150L17/P15013-17/SM13-17
9	GB5787-M8×105-W	Hex. Bolt with flanger M8x105	vis M8x105	1	F125L1617/F12513-16/F125s13-17/F125se15-17/SM125s13-17/F150L17/SP13-17
10	GB6187-M8-W	Self locking nut M8	ecrou M8	2	ALL BIKES
12	GB70-M8×20	Hex. Bolt M8X20	vis M8x20	2	F88s13-16/F88se15-17/F125L1617/F12513-17/F125s13-17/F125se15-17/F150L17/SP13-17/SM125s13-17
12	GB70-M8×25	Hex. Bolt with flanger M8x25	vis boucle arriere M8x25	2	F125L1617/F12513-17/F125s13-17/F125se15-17/F88s13-15/F12513-17/F150L17/P15013-17/SM13-17
14	YC110-1614-13-BK	Rear frame part Steel F88s LITE 2017	Boucle arrière F88s LITE 2017	1	F88L17
15	YC88-16-030-BK	frame engine pads left START F88s BLACK	patte de cadre gauche START F88s NOIRE	1	F88s12-16/F88L17/F125L1617/F150L17
16	YC88-16-040-BK	frame engine pads right START F88s BLACK	patte de cadre droite START F88s NOIRE	1	F88s13-16/F88se15-17/F88L17/F125L1617/F150L17
21	YC110-161-01-WH	Reinforced frame for cantilever swing arm LITE F88s 2017	Cadre renforce lite pour bras cantilever LITE F88s 2017	1	F88L17
22	YC110-16-063-BK	set of engine pads START F88s BLACK	jeu de patte de cadre START F88s NOIRE	1	8811/F88s13-16/F88L17/F125L1617/F150L17
	YC88-172-01	Cradle Aluminum alloy	plaque renfort aluminium 88	1	F88s12-16/F88se15-17/F88L17/F125L1617/F150L17
	GB70.2-M8×25	screw M8x25	vis M8x25	4	F88s12-16/F88se15-17/F88L17/F125L1617/F150L17
GRAPHICS					



N	Ref.	Description	Français	Qty/ Bike	MODEL
1	KDF88L2017	Complete graphic kit F88 LITE 2017	Kit deco complet F88 LITE 2017	1	F88L17
2	YC110-34-0111	Front plate graphic LITE 2017	Sticker Plaque avant LITE 2017	1	F88L17/F125L17/ F150L17
3	YC110-34-0211	Rear mudguard graphic LITE 2017	Sticker GB Arriere LITE 2017	1	F88L17/F125L17/ F150L17
4	YC110-34-0311	Left shrouder graphic F88s LITE 2017	Sticker Ouie gauche radiateur F88s LITE 2017	1	F88L17
5	YC110-34-0411	Right shrouder graphic F88s LITE 2017	Sticker Ouie droite radiateur F88s LITE 2017	1	F88L17
6	YC110-34-0511	Left side plate graphic F88s LITE 2017	Sticker Plaque laterales gauche F88s LITE 2017	1	F88L17
7	YC110-34-0611	Right side plate graphic F88s LITE 2017	Sticker Plaque laterales droite F88s LITE 2017	1	F88L17
8	YC110-34-0711	LITE front fender Front fender graphic 2017	Sticker GB Avant LITE 2017	1	F88L17/F125L17/ F150L17
16	KDMINE-01-WH	Minerva Sticker left 2017 WHITE	Sticker Minerva gauche 2017 BLANC	1	SM125s17/LITE2017
16	KDMINE-02-WH	Minerva Sticker right 2017 WHITE	Sticker Minerva droit 2017 BLANC	1	SM125s17/LITE2017
	YC110-1909	Sticker FACTORY Shock Absorber	Autocollant FACTORY Amortisseur	1	ALL BIKES2013- 17 (BUT50A/SP3/BIGYF D190MX)
	YC110-1910	GAS TANK STICKER	STICKER RESERVOIR	1	ALL BIKES2013- 17(BUT50A/BIGY)
	YC110-1901	Sticker Chain	Autocollant Chaîne	1	ALL BIKES2013-17

YC110-1902	Sticker Tire	Autocollant Pression Pneu	1	ALL BIKES2013-17
YC110-1903	Sticker Warning OIL Level	Autocollant Attention Niveau Huile	1	ALL BIKES2013-17
YC110-1904	Sticker Rear Mudguard 70×57mm	Autocollant garde boue arriere 70×57mm	1	ALL BIKES2013-17(BUT50A)
YC110-1905	Sticker CE	Autocollant CE	1	ALL BIKES2013-17
YC110-1906	Warning sticker	Sticker Attention	1	ALL BIKES2013-17
YC110-1907	Warning Sticker Transport	Sticker Caisse Avertissement Transport	1	ALL BIKES2013-17
YC110-1908	Warning Sticker Shosk Absorber	Sticker Avertissement Amortisseur	1	ALL BIKES2013-17

ENGINES

MOTEUR-88ZF	ENGINE ZF 88 SEMI AUTOMATIC	MOTEUR ZF 88 Semi-Auto	1	F88L17
17311/152FMIZL-57	Inlet Pipe,Pro 88PILOT	PIPE ADMISSION 88PILOT	1	F88L17/F88s13-16/F88se1516/P88s13-15
17332	carburettor paper gasket Φ28	joint papier carburateur Φ28	1	ALL BIKES2015-17 (BUT50A/SP3190)
17332/152FMH01	Intake Gasket	JT PAPIER PIPE ADMISSION	1	ALL BIKES2015-17 (BUT50A/SP3190)
F00C039	carburettor isolating gasket Φ27.5	joint plastique carburateur Φ27.5	1	ALL BIKES2015-17 (BUT50A/SP3190)
RCSC-BK	Right crankcase small Cover 88/125 2014 BLACK	DEMI CARTER EMBRAYAGE NOIR 88/125	1	F88L17/F88s14-16/F88se15-17/F12514-16/F125s14-17/F125se15-17/P88s1415/P12514-17/SM125s14-17
43451/152FMH	STARTER KICK SMALL HOLE	KICK PETIT DIAMETRE	1	F88L17/F88s13-16/F88se15-17/F12513-17/F125s13-17/F125se15-17/SM125s13-17
24700/152FMH	Gearshift Pedal	SELECTEUR	1	F88L17/F88se15-17/F12517/F12513-16/F125se15-17/P12513-17/P15013-17/SM15013-17/SP13-17

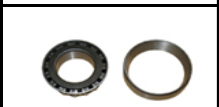
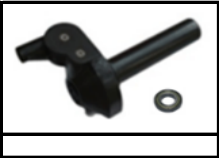
KIT CARBU

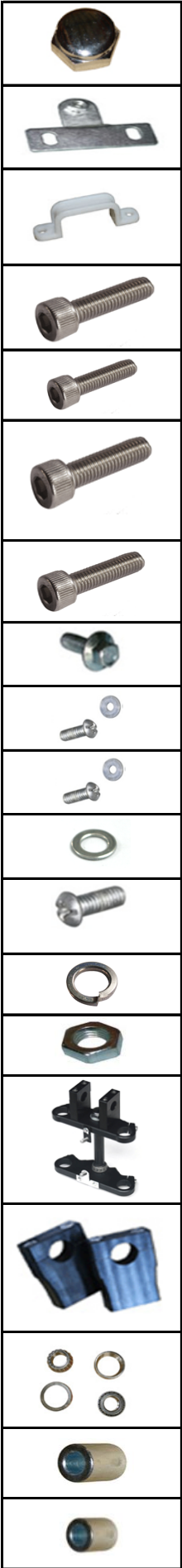
	MOLKT16	Carburetor MOLKT F88s LITE 2017	Carburateur MOLKT F88s LITE 2017	1	F88L17
CARTONS - CAISSES MOTOS					
	YC110-CARTON-RS	BIKE BOX R START 1470×380×820mm	CARTON EMBALLAGE MOTO R START	1	F88L17/F88s13-16/F125L17/F12512-16/F125s12-17/P88s13-15/P12513-14/SM125s13-17
	YC110-FOAMBOX	Foam box 2014 420×340×160mm	Cale PS	1	ALL BKIES2014-17
	YC110-FILM	Protective film for seat 600×600×0.02mm	Protection plastique Selle	1	ALL BKIES2014-17
CATALOGUES - FICHES MOTOS - FICHES STICKER					
	YC110-0700-01	Accessory tools	Trousse a outils	1	ALL BIKES2013-17
	YC110-0700-0201	Owner manual 2015	Manuel Utilisation 2015	1	ALL BIKES2013-17
	YC110-0700-0401	Vin Plate 2015	Plaque Vin 2015	1	ALL BIKES2013-17
	YC110-0700-03	A4 sheet assy	Fiche A4	1	ALL BIKES2013-17

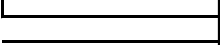
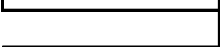
2017

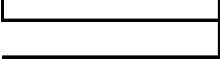
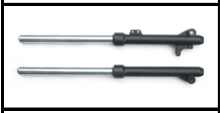
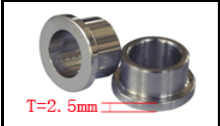


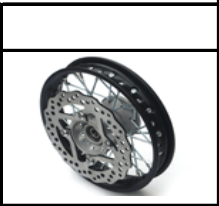
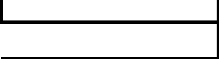


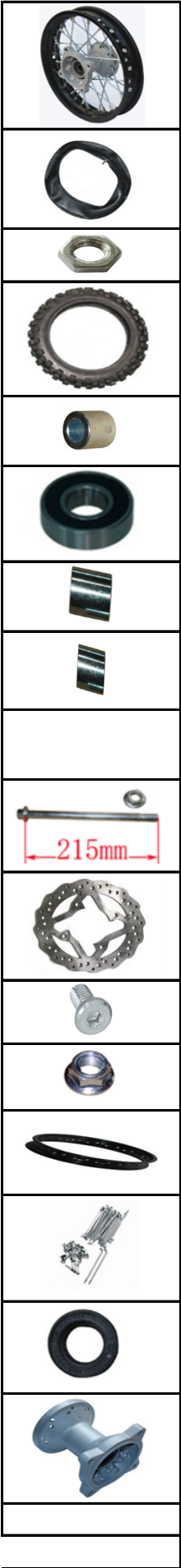


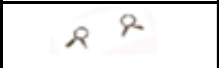
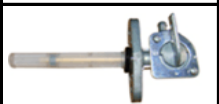










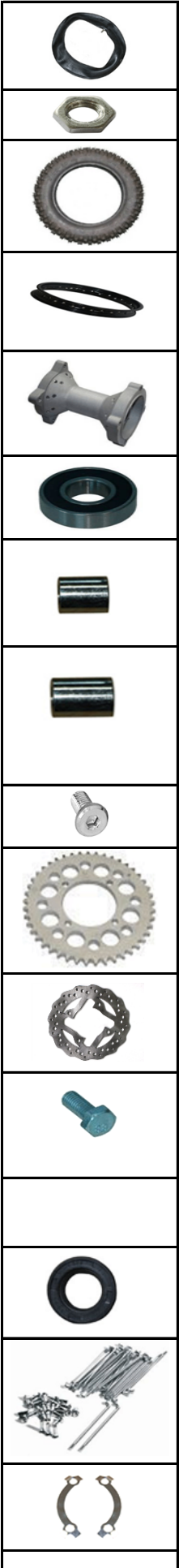






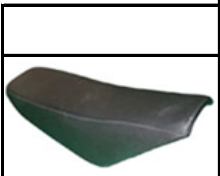
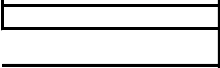
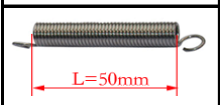




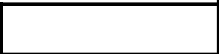


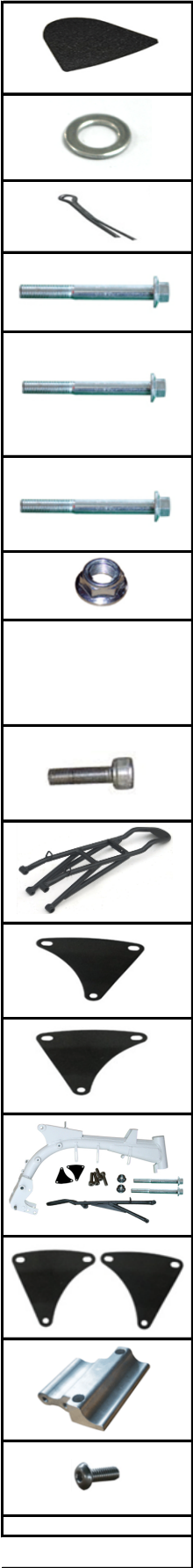














TIRE INFORMATION - PNEUS

GOLD 175 PNEUMATIC FRONT 200/50 R17 80H
 GOLD 175 PNEUMATIC REAR 200/50 R17 80H
 MAXIMUM WEIGHT CAPACITY 2500 LBS (1133 KG)
 MAXIMUM WEIGHT CAPACITY 1133 KG (2500 LBS)
 PRESSION PNEUS & PNEUS AVANT 2 BAR - ARRIERE 2,2 BAR
 PNEUS EN COURSE MAXIMUM 2 BAR
 PNEUS AVANT 200/50 R17 80H - ARRIERE 200/50 R17 80H

WARNING - IMPORTANT

BEFORE OPERATING THIS VEHICLE, YOU MUST CHECK THE ENGINE OIL LEVEL.
 AVANT DE DEMARRER LE VEHICULE, VERIFIER LE NIVEAU D'HUILE MOTEUR.

WARNING - AVERTISSEMENT

ATTENTION: NE PAS OUBLIER DE FAIRE LES RESERVES D'UNES AUPRES DU TRANSPORTEUR A RECEPTION DES COLIS SUR LE BON DE LIVRAISON.
 PLEASE CHECK THE CONDITION OF CRATE AT RECEIPT OF GOODS.
 ANY DAMAGE SHOULD BE NOTED ON THE CONNOTE WITH THE FREIGHT CARRIER.



NE PAS OUBLIER DE FAIRE LES RESERVES D'UNES AUPRES DU TRANSPORTEUR A RECEPTION DES COLIS SUR LE BON DE LIVRAISON.
 PLEASE CHECK THE CONDITION OF CRATE AT RECEIPT OF GOODS.
 ANY DAMAGE SHOULD BE NOTED ON THE CONNOTE WITH THE FREIGHT CARRIER.

WARNING - AVERTISSEMENT

WARNING:
 THE SHOCK ASSEMBLY IS NOT LOCKED.
 ATTENTION:
 LA VIS DE L'AMORTISSEUR N'EST PAS SERREE.

