



YCF-Racing.com

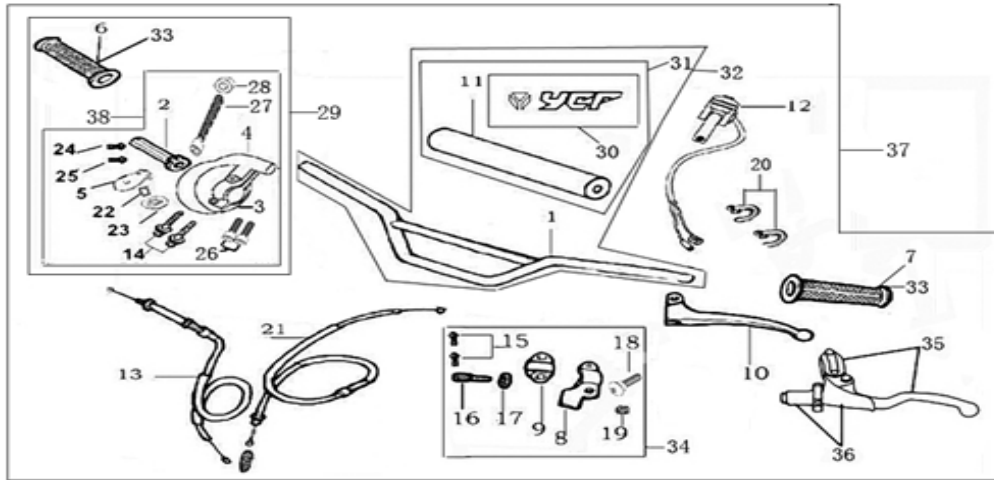


FACTORY
DAYTONA

190 MX



Handle bar assembly

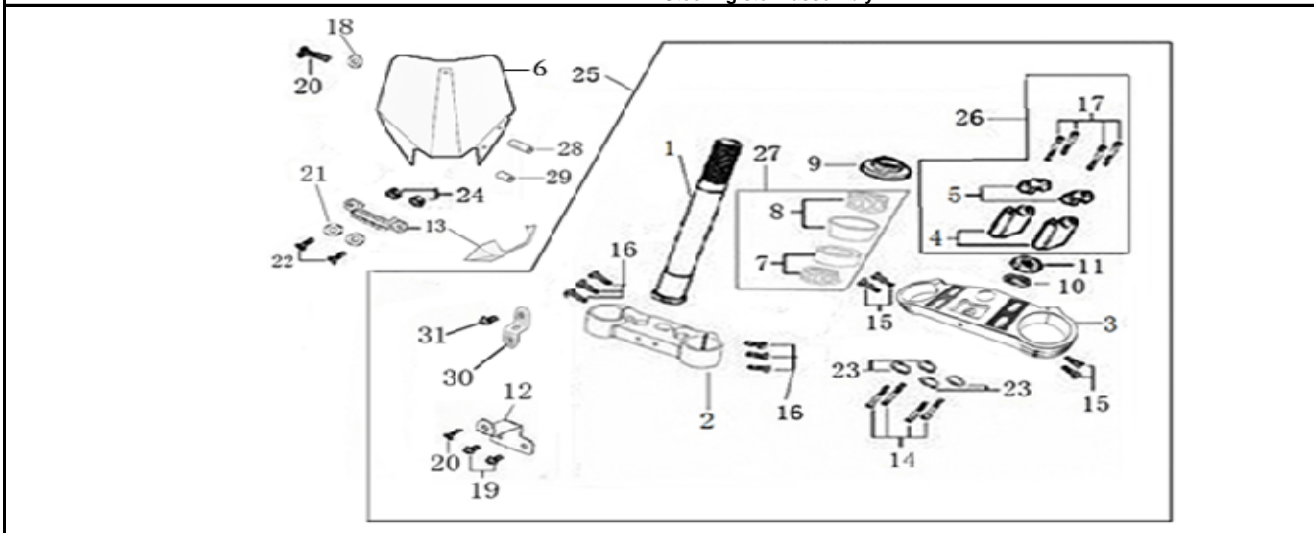


N°	Ref.	Description	Français	Qty/ Bike	MODEL
1	YC110-0101-15-BK	GUIDON L=780mm TWIN ALL 2017 Black	Guidon aluminium BAS TWIN ALL L=780mm 2017 NOIR	1	BIGY190MX17
2	YC110-01021-01	YCF Throttle Body 2012-17 BLACK	plastique poignée de gaz YCF 2012-17 NOIR	1	ALL BIKES 2012-2017/
3	YC110-01021-05	Lower Throttle Body Housing 2014-17	dessous poignée gaz 2014-17	1	P15014-17/SM15014-17/SP114-17/SP214-17/SP314-17/BIGY2017
4	YC110-01021-03	Upper Throttle Body Housing YCF 2012-17	dessus poignée gaz YCF 2012-17	1	ALL BIKES 2012-2017/
5	YC110-01021-02	Upper Throttle Body Housing Cover YCF 2012-17	plastique du dessus poignée gaz YCF 2012-17	1	ALL BIKES 2012-2017/
6	YC110-01-01-GY	YCF Right Grip GREY	Poignée caoutchouc droite YCF GRISE	1	ALL BIKES 2012-2017/
7	YC110-01-02-GY	YCF Left Grip GREY	Poignée caoutchouc gauche YCF GRISE	1	ALL BIKES 2012-2017/
8	YC110-0108-05	Clutch upper bracket 2014-17 SILVER	Cocotte basse embrayage 2014-17 SILVER	1	F12514-17/P12514-17/P15014-17/SM15014-17/SP114-17/SP214-17/SP314-17/BIGY2017
9	YC110-0109-05	Clutch lower bracket 2014-17 SILVER	Demi cocotte embrayage 2014-17 SILVER	1	F12514-17/P12514-17/P15014-17/SM15014-17/SP114-17/SP214-17/SP314-17/BIGY2017

	FB13-8×10×8-Cu	Clutch lever bushing $\Phi 8 \times \Phi 10 \times 8.1$ mm copper	Entretoise levier embrayage $\Phi 8 \times \Phi 10 \times 8.1$ mm	1	F12514-17/P12514-17/P15014-17/SM15014-17/SP114-17/SP214-17/SP314-17/BIGY2017
10	YC110-0103-03	Clutch lever 2014-17 (with FB13- $\Phi 8 \times \Phi 10 \times 6$ -Cu 1EA+FB13- $\Phi 8 \times \Phi 10 \times 8$ -Cu 1EA)	Lever embrayage 2014-17	1	F12514-17/P12514-17/P15014-17/SM15014-17/SP114-17/SP214-17/SP314-17/BIGY2017
11	YC110-0116	Bar pad for Aluminium Handlebar with Bar L=195mm	Mousse guidon pour guidon alu avec barre L=195mm	1	SM15013-17/SP113-17/SP213-17/SP313-17/BIGY2017
12	YC110-0105-04	Kill Switch ON/OFF daytona ANIMA engine L=710mm	Coupe circuit on off pour daytona ANIMA L=710mm	1	SP313-17/BIGY190C17
13	YC110-0106	Throttle Cable L=840mm A+B=125	Cable gaz L=840mm A+B=125	1	ALL BIKES2012-2017(BUT150/F88s/F88se)/BIGY2017
14	GB5787-M6×22-G	Hex. Bolt with Flanged Face M6X22	vis M6X22	2	ALL BIKES2012-17(BUT50A)/BIGY2017
15	GB5787-M6×20-G	Hex. Bolt with Flanged Face M6X20	vis M6X20	2	F12512-17/P12514-17/P15014-17/SM15012-17/SP12-17/BIGY2017
16	YC110-0103-04	Clutch Adjust bolt M7×18mm	Tendeur cocotte embrayage M7×18mm	1	F12512-17/P12514-17/P15014-17/SM15012-17/SP12-17/BIGY2017
17	YC110-0117	Clutch Tight Nut M7	ecrou cocotte embrayage M7	1	F12512-17/P12514-17/P15014-17/SM15012-17/SP12-17/BIGY2017
18	27-06022B	Clutch Stepped bolt M6X22	vis cloche embrayage M6X22	1	F12512-17/P12514-17/P15014-17/SM15012-17/SP12-17/BIGY2017
19	6183-06000B	Clutch Self-lock Nut M6	ecrou cloche embrayage M6	1	F12512-17/P12514-17/P15014-17/SM15012-17/SP12-17/BIGY2017
20	YC110-01-03-BK	Tape 150mm BLACK	colier maintien cable 150mm NOIR	2	ALL BIKES/
20	YC110-01-03-WH	Tape 150mm WHITE	colier maintien cable 150mm BLANC	2	ALL BIKES/
20	YC110-01-05-BK	Tape 350mm BLACK	colier maintien cable 350mm NOIR	5	ALL BIKES/
20	YC110-01-05-WH	Tape 350mm WHITE	colier maintien cable 350mm BLANC	1	ALL BIKES/
21	YC110-0109-08	Clutch Cable Assy. L=1000mm A+B=83mm	Cable embrayage L=1000mm A+B=83mm	1	/BIGY190C17/
22	YC110-0102-08	YCF Throttle cable Bearing $\Phi 8 \times \Phi 16 \times 5$ mm	Roulement poignee gas YCF $\Phi 8 \times \Phi 16 \times 5$ mm	1	ALL BIKES2012-2017/
23	YC110-0102-07	YCF Throttle cable guide pulley plastic $\Phi 12 \times \Phi 16 \times \Phi 28 \times 8$ mm	Roulette plastique Poignee Gas YCF $\Phi 12 \times \Phi 16 \times \Phi 28 \times 8$ mm	1	ALL BIKES2012-2017/

24	GB819-M4×12	Plus screw M4×12	vis M4×12	1	ALL BIKES2012-2017/
25	GB819-M4×20	Plus screw M4×20	vis M4×20	1	ALL BIKES2012-2017/
26	GB70-M6×20-B	Hex. Bolt M6x20 BLACK	vis M6x20 NOIR	2	ALL BIKES2012-2017/
27	GB70-M5×12	Hex. Bolt M5×12	vis M5×12	1	ALL BIKES2012-2017(BUT50A)/
30	YC110-012027-BK	RUBBER for Bar Pad suitable Aluminium Handlebar with Bar 185mm×178mm 2016-17 BLACK	CAOUTCHOUC mousse guidon Aluminium avec Barre 185mm×178mm 2016-17 NOIR	1	SP31617/BIGY190MX17/
31	YC110-0133-01BK	Complete Bar Pad for Aluminium Handlebar with Bar L=195mm 2016-17 BLACK	Mousse guidon complete pour guidon Aluminium avec Barre L=195mm 2016-17 NOIR	1	SP31617/BIGY190MX17/
32	GALOW-04BK	Aluminium handle bar (with black pad and pvc) TWIN ALL L=780mm BLACK 2017	Guidon aluminium BAS TWIN ALL L=780mm 2017 NOIR	1	BIGY190MX17/
33	PPC010-GY	YCF set of grip GREY	Paire de poignée caoutchouc YCF GRISE	1	ALL BIKES2012-2017/
34	YC110-0126-01	Clutch bracket Assy. 2014-17 SILVER	Cocotte embrayage complete 2014-17 SILVER	1	F12514-17/P12514-17/P15014-17/SM15014-17/SP14-17/BIGY2017
35	YC110-0134-02	Cnc adjustable bracket with lever 2014 -17 SILVER	Cocotte CNC réglage rapide avec levier embrayage 2014-17 SILVER	1	F12514-17/P12514-17/P15014-17/SM15014-17/SP14-17/BIGY2017
36	YC110-0103-10	Rubber on clutch lever	Caoutchouc levier embrayage	1	F12514-17/P12514-17/P15014-17/SM15014-17/SP14-17/BIGY2017
38	YC110-01022-N	YCF Throttle Assy. 2014 -17without grip (with YC110-0102-08 1EA)	Poignee gaz réglable YCF 2014-17 nue	1	P1251617/P15014-17/SM15014-17/SP14-17/BIGY2017

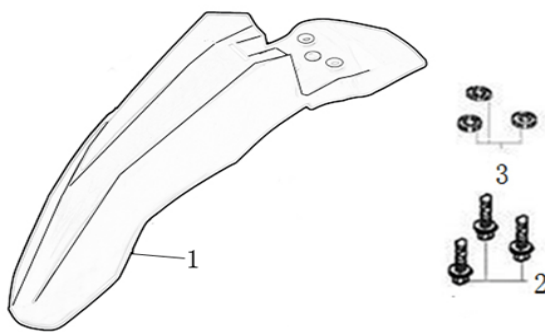
Steering stem assembly



N	Ref.	Description	Français	Qty/ Bike	MODEL
1	YC110-0201-03	Steering stem 233 mm	tige colonne direction 233 mm	1	ALL BIKES2012-17(BUT50A/F88s/F88se)/
2	YC110-0202-41-BK	Lower triple clamp 160 mm ϕ 48mm 2014 BLACK	Té fourche inferieur 160 mm ϕ 48mm NOIR	1	SP315-17/BIGY190C17/
3	YC110-0201-42-BK	Top Triple Clamp 160 mm ϕ 48 mm (for Engi fork) 2014 BLACK	Té fourche supérieur 160mm ϕ 48mm (pour fourche Engi) NOIR	1	SP315-17/BIGY190C17/
5	YC110-0202-03	Top bar mount CNC Φ 28.6mm/height 18mm BLACK	Pontet guidon supérieur Φ 28.6mm NOIR	2	SP31617/BIGY190C17 /
4	YC110-0203-29	Lower Bar Mount CNC START type, not adjustable ϕ 28.6 / height 55 mm BLACK	Pontet guidon inférieur non ajustable type START ϕ 28.6 / hauteur 55mm NOIR	2	SP31617/BIGY190C17 /
	YC110-0222-02	Lower Bar Mount spacer block CNC 20mm adjustable	Cale Pontet infeieur 20 mm	2	SP31617/BIGY190C17 /
6	YC110-0212-09-YE	Front Number Plate BIGY 2017 YELLOW	PLAQUE AVANT BIGY 2017 JAUNE	1	/BIGY190C17
7	297-46/23.5	Lower Taper roller bearing 46/23.5	roulement inférieur 46/23.5	1	ALL BIKES2012-17(BUT50A/F88s/F88se)/
8	297-46/22	Top Taper roller bearing 46/22	roulement supérieur 46/22	1	ALL BIKES2012-17(BUT50A/F88s/F88se)/
9	YC110-02-09	Top nut for steering ϕ 52	Ecrou crantellé colonne direction ϕ 52	1	ALL BIKES2012-2017/
10	YC110-02-10	Washer for steering stem nut Φ 22.5 \times Φ 36 \times 0.7	Joint colonne direction Φ 22.5 \times Φ 36 \times 0.7	3	ALL BIKES2012-2017/
11	YC110-02-11	Nut for steering stem M22	Ecrou supérieur colnne direction M22	1	ALL BIKES2012-2017/
13	YC110-0214-01-WHI	YCF Break Line Retainer 2014-17 White (with GB9074.5-M4 \times 10-W 1EA)	Guide durite sur plaque avant 2014-17 YCF Blanc	1	ALL BIKES2014-2017(BUT50A/F88s/F88se /P88s)/
14	GB70-M8 \times 50	Stud screw M8X50	vis M8X50	4	SP31617/BIGY190C17 /
15	GB70-M6 \times 25	Stud screw M6X25	vis M6X25	4	ALL BIKES2012-17 (BUT50A) /
16	GB70-M6 \times 20	Stud screw M6X20	vis M6X20	6	ALL BIKES2012-17 (BUT50A) /
17	GB70-M8 \times 25	Stud screw M8X25	vis M8X25	4	ALL BIKES2012-17 (BUT50A) /

18	GB97-Φ6-W	flat washer φ6	rondelle φ6	1	ALL BIKES2012-17/
19	GB5787-M6×16-W	Hex. Bolt with Flanged Face M6X16	vis M6X16	2	ALL BIKES2012-17/
20	GB9074.5-M6×12-W	Plus screw M6X12 (for bottom front No plate)	vis m6x12 bas plaque No avant	1	ALL BIKES2014-2017(BUT50A/F88s/F88se/F88s)/
21	GB97-Φ4-W	flat washer φ4	rondelle φ4	1	ALL BIKES2012-17/
22	GB818-M4×10-W	Plus screw M4×10	vis M4×10	1	ALL BIKES2012-17/
23	GB93-Φ8-W	Spring washer Φ8mm	Rondelle Φ8mm	4	ALL BIKES2012-17/
25	YC110-02-044-BK	Complete Triple Clamp (TOP48 / BOTTOM 48) adjustable bar mount SPIII / Bigy 2014-17 BLACK	Te Fourche Complet (TE SUP. 48 / TE INF.48) pontet ajustable SPIII / Bigy 2014-17 NOIR	1	SP315-17/BIGY190C17/
26	YC110-0203-08	Set of Bar mount φ28.5mm / height 75mm (with GB70-M8×25 4EA+GB70-M8×50 4EA+GB93-Φ8-W 4EA)	Jeu pontet guidon φ28.5mm / hauteur 75 mm	1	SP31617/BIGY190C17 /
27	KRDIRECTION46	Set of bearing for steering 46/23.5、46/22	Kit rlt colonne direction 46/23.5、46/22	1	ALL BIKES2014-2017(BUT50A/F88s/F88se/F88s)/
30	YC110-0213-08	Number plate bracket 2014	Support plaque avant 2014	1	ALL BIKES2014-2017(BUT50A/F88s/F88se/F88s)/
31	GB5787-M6×16-W	Hex. Bolt M6X16	Vis M6×16	1	ALL BIKES2014-2017(BUT50A/F88s/F88se/F88s)/
32	YC110-02-20	Washer for steering stem nut	Joint colonne direction	1	ALL BIKES2014-2017(BUT50A/F88s/F88se)/

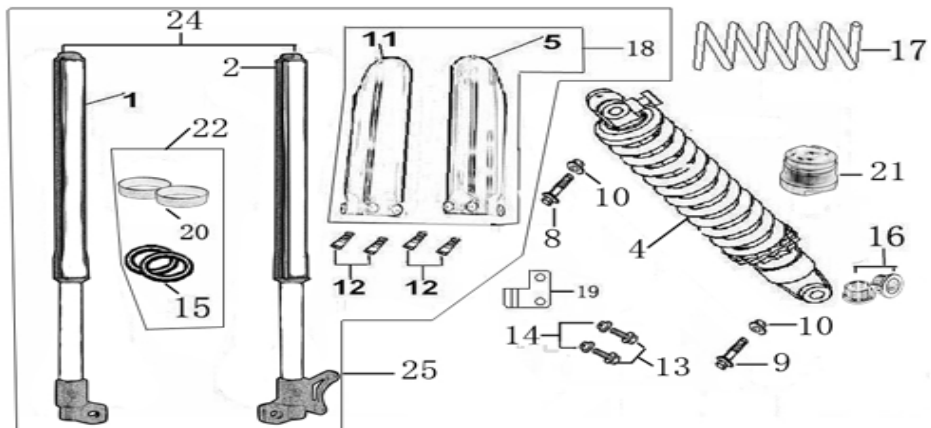
Front Fender



N	Ref.	Description	Français	Qty/ Bike	MODEL
1	YC110-032-08-YE	Front Fender BIGY 2017 YELLOW	Garde avant BIGY 2017 JAUNE	1	/BIGY190C17
2	GB5787-M6×20-W	Hex. Bolt with flanged M6X20	vis M6X20	3	ALL BIKES/
3	GB96-Φ6-W	Washer φ6×φ18mm	Rondelle φ6×φ18mm	3	ALL BIKES/

3	YC110-03-01	Rubber washer $\Phi 6 \times \Phi 18 \times 4 \text{mm}$	caoutchouc $\Phi 6 \times \Phi 18 \times 4 \text{mm}$	3	ALL BIKES/
---	-------------	--	---	---	------------

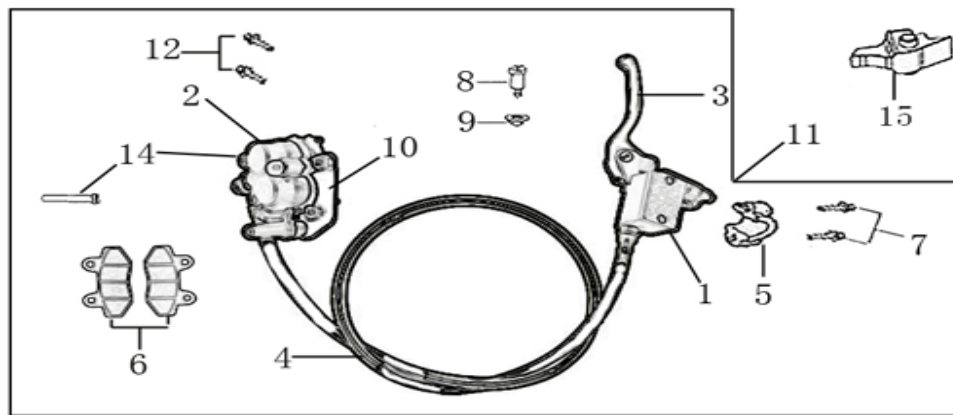
Front & Rear absorber



N	Ref.	Description	Français	Qty/ Bike	MODEL
1	YC110-0401-21	Front right fork ENGI 800 mm (adjustable) TITAN	tube fourche droit 800 mm TITANE	1	SP31617/BIGY190C17
2	YC110-0402-21	Front left fork ENGI 800 mm (adjustable) TITAN	Tube fourche gauche 800 mm TITANE	1	SP31617/BIGY190C17
4	ES01-0000-355-01	Shock absorber ENGI 355mmx800lbs 2017	Amortisseur ENGI 355mmx800lbs 2017	1	/BIGY190C17
5	YC110-04-015-BK	YCF Left front fork protection 735mm BLACK	Protection fourche YCF gauche 735 mm NOIR	1	P1251617/P1501617/ SM1501617/SP1617/ BIGY2017
8	GB5787-M12x45-W	Hex. Bolt with flanged M12X45	vis M12X45	1	P88s13-15/P12513- 17/P15013-17/SM15013- 17/SP13-17/BIGY2017
9	GB5787-M12x60-W	Hex. Bolt with flanged M12x60	vis M12x60	1	SP13- 17/BIGY150B17/190 C17
10	GB6187-M12-W	Self-locking Nut M12	écrou M12	2	ALL BIKES2012- 2017(BUT50A)/
11	YC110-04-024-BK	YCF Right front fork protection 735 mm BLACK	Protection fourche droite YCF 735 mm NOIR	1	P1251617/P1501617/ SM1501617/SP1617/ BIGY2017
12	GB5787-M6x12-W	Plus screw M6X12	Vis M6X12	4	P88s13-15/P12513- 17/P15013-17/SP13- 17/SM15013- 17/BIGY2017
13	GB5787-M6x20-W	Plus screw M6X20	Vis M6X20	2	ALL BIKES2013- 17(BUT50A)/
14	GB6170-M6-W	Nut M6	Ecrou M6	2	P1251617/P1501617/SP16 17/SM1501617/BIGY2017
16	YC110-0427-02	shock top bottom spacer ENGI $\Phi 12 \Phi 14 \times 6 \times 10 \text{mm}$	entretoise amortisseur pour bras mono ENGI $\Phi 12 \Phi 14 \times 6 \times 10 \text{mm}$	2	BIGY150B17/190C17

16	YC110-0419-03	Shock bottom spacer ENGI $\Phi 12\Phi 14 \times 6 \times 11$ mm	Entretoise amortisseur pour bras mono ENGI $\Phi 12\Phi 14 \times 6 \times 11$ mm	2	SP31617/BIGY150B17/190C17
18	PFYCF12-BK	YCF set of fork protection 735mm black	Jeu protection fourche YCF 735 noir	1	P1251617/P1501617/SM1501617/SP1617/BIGY2017
19	YC110-0403-05	YCF oil steel line retainer on left front fork 2016-17	Passe durite YCF sur protection fourche gauche 2016-17	1	P1251617/P1501617/SM1501617/SP1617/BIGY2017
24	ENGI1-800	ENGI 800 mm (Adjustable) TITAN	Jeu de fourche 800mm ENGI TITANE	1	SP31617/BIGY190C17

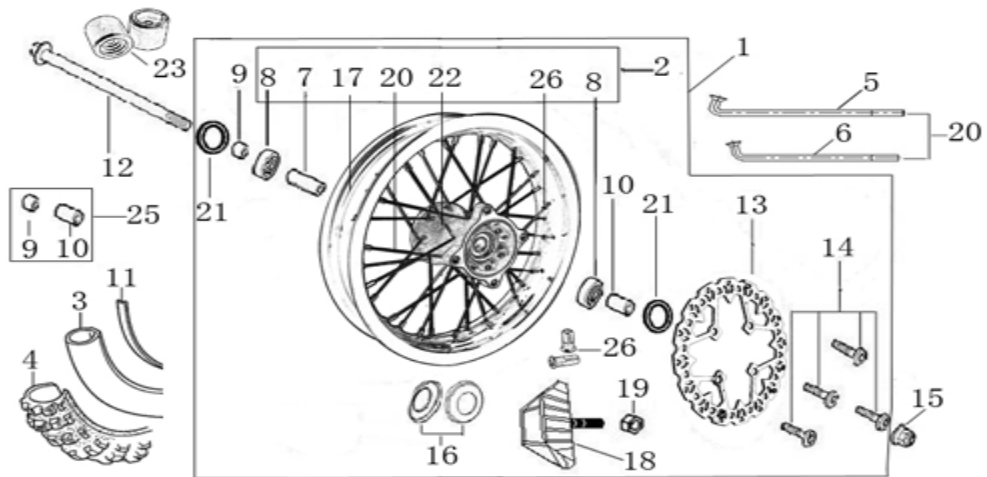
Front Brake Assy



N	Ref.	Description	Français	Qty/ Bike	MODEL
1	YC110-0501-0104	Front Brake Reservoir for 2 pump $\Phi 10$ 2016-17	maitre cylindre frein avant pour étrier 2 pistons $\Phi 10$ 2016-17	1	P1251617/P1501617/SP1617/SM1501617/BIGY2017
2	YC110-0501-0207	Front Brake caliper for 2 pump w/t abestos $\Phi 10$ 2016-17	étrier frein avant double pistons sans amiante $\Phi 10$ 2016-17	1	SP216 / SP316/BIGY150B16/190C16
3	YC110-0501-014	Front brake lever 2014-17 With notch	LEVIER FREIN 2014-17	1	ALL BIKES2014-17(BUT50A)/
4	YC110-0501-0319	Front brake steel line L=1170mm $\Phi 10/\Phi 10$ BLACK 2016	Durite frein avant L=1170mm $\Phi 10/\Phi 10$ NOIR 2016	1	SP31617/BIGY2017
5	YC110-0501-022	Brake perch bracket for double pump	Demi cocotte frein avant pour frein double pistons	1	ALL BIKES2012-17(BUT50A)/
6	YC110-0501-0416	Front Brake pads for double pump brake with copper substrate 2016-17	jeu plaquette frein avant pour frein 2 pistons SANS AMIANTE 2016-17	2	SP21617/SP31617/BIGY150B17/190C17
7	GB5787-M6 \times 22-G	Hex.bolt with flanged M6X22	vis M6X22	2	ALL BIKES2012-17(BUT50A)/
8	HB06-M6 \times 25-G	Hex.bolt with flanged M6X25	vis M6X25	1	ALL BIKES2012-17(BUT50A)/

9	GB6177-M6-G	Self-locking nut M6	écrou M6	1	ALL BIKES2012-17(BUT50A)/
10	YC110-0501-037	Bracket for front brake SP2/SP3 2016-17	Patte frein avant etrier SP2/SP3 2016-17	1	SP21617/SP31617/BIGY150B17/190C17
11	YC110-0501-31	Front brake assy 2 pumps L=1170mm Φ10/10 w/t abestos 2016-17	Kit frein avant 2 pistons avec gaine plastic noire L=1170mm Φ10/10 sans amiante 2016-17	1	SP31617/BIGY150B17/190C17
12	GB70-M6×30-W	Stud screw M6X30	Vis M6X30	2	ALL BIKES2012-17 (BUT50A) /
14	YC110-0555-01	caliper screw for front brake L=55mm Army green	Vis plaquette frein avant L=55mm	1	SP21617/SP31617/BIGY150B17/190C17
15	YC110-0502-01	Rubber for brake lever	Caoutchouc levier frein avant	1	ALL BIKES2014-17(BUT50A) /

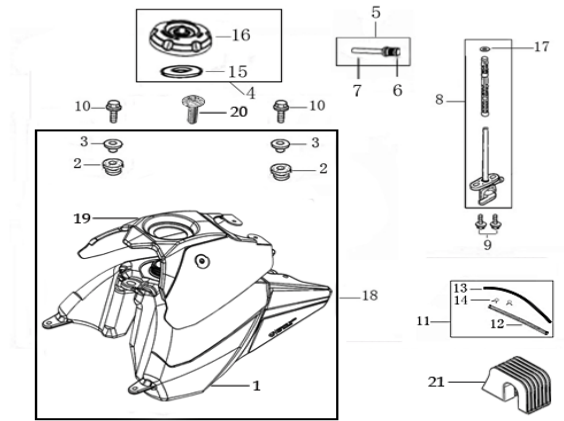
Front Wheel Assy



N	Ref.	Description	Français	Qty/ Bike	MODEL
1	YC110-0601-81-BK	Complete ALUMINIUM 7116 Front wheel 1.60×17 with disk CNC hub BLACK / BLACK Rim	Roue avant complète ALUMINIUM 7116 1.60×17 avec disque moyeux CNC NOIR / Jante NOIRE	1	/BIGY150B17/190C17
2	YC110-0602-81-BK	Complete ALUMINIUM 7116 Front wheel 1.60×17' without disk CNC hub BLACK / BLACK Rim	Roue avant complète ALUMINIUM 7116 1.60×17' sans disque moyeux CNC NOIR / Jante NOIRE	1	/BIGY150B17/190C17
3	CHAMBRE17	Tube for front tire 70/100/17'	Chambre air 70/100/17'	1	/BIGY2017
	FB6170-M8-Cr	Tire valve nut M8	Ecrou M8 pour chambre a air	1	ALL BIKES/
4	70/100/17ARRO	Front Tyre 70-100-17' ARRO 2017	Pneu avant 70-100-17' ARRO 2017	1	/BIGY150B17/190C17

7	YC110-0601-02	Front axle bushing $\Phi 16 \times \Phi 22 \times 44$	Entretoise central roue avant $\Phi 16 \times \Phi 22 \times 44$	1	ALL BIKES2013-15(BUT50A)/ALL BIKES2016-17(BUT50A/SP2/SP3)/
8	96140-6202-2Z	Ball bearing 6202-2Z $\Phi 35 \times \Phi 15 \times 11$	Roulement roue 6202-2Z $\Phi 35 \times \Phi 15 \times 11$	2	ALL BIKES2013-15(BUT50A)/ALL BIKES2016-17(BUT50A/SP2/SP3)/
9	YC110-06-047	Front wheel spacer right $\phi 15 \times \Phi 22 \times 23$ mm with STEP 2015-17	Entretoise roue avant droite $\phi 15 \times \Phi 22 \times 23$ mm 2015-17	1	ALL BIKES2015(BUT50A)/ALL BIKES2016-17 (BUT50A/SP2/SP3) /
10	YC110-06-052	Front wheel spacer left $\phi 15 \times \Phi 22 \times 33$ mm	entretoise roue avant gauche $\phi 15 \times \Phi 22 \times 33$ mm	1	ALL BIKES2012-2015 (BUT50A)/ALL BIKES2016-17(BUT50A/SP2/SP3)/
11	YC110-06-07	tire lining for 20x17'	fond jante av 20x17'	1	/BIGY2017
12	YC110-06-061	Front Axle 215 mm with Self-locking nut M14 for Marzocchi style fork	Axe de roue avant L=215 mm type marzochci avec ecrou M14	1	ALLBIKES2013-17(BUT50A/SM)/
13	YC110-0513-02	Front disk $\phi 220$ mm 2016-17	disque frein avant $\phi 220$ mm 2016-17	1	ALL BIKES 2016-17(BUT50A/F88s/F88se)/
14	GB70.2-M8x16	Screw for disk M8X16	vis disque frein M8X16	4	ALL BIKES2016-17 (BUT50A)/
15	GB6187-M14-W	Self-locking nut M14	écrou roue avant M14	1	ALL BIKES2016-17 (BUT50A)/
17	YC110-0617-81-BK	ALUMINIUM 7116 Rim for Front wheel 1.6x17 7116 Black	Cerceau roue av 1.6x17 ALUMINIUM 7116 Noir	1	/BIGY150B17/190C17
18	GRIPSTER1.40	Gripster 1.40	gripster 1,40	1	SP12-17/BIGY150B17/190C17
19	GB6170-M8-W	Nut M8	ecrou M8	1	SP12-17/BIGY150B17/190C17
20	JR17-18.5	set of front spoke 17' (184mmx32)	Jeu rayon avant 17' (184mmx32)	1	BIGY2017
21	YC110-0611	OIL SEAL $\Phi 23 \times \Phi 35 \times 5$	joint spy roue $\Phi 23 \times \Phi 35 \times 5$	2	ALL BIKES2013-17(BUT50A)/
22	YC110-0601-032BK	YCF Front hub CNC BLACK	moyeux avant CNC YCF NOIR	1	SP315/BIGY150B17/190C17
	KVD	Disk screws kit (contain GB70.2-M8x16-Cr 4EA)	KIT VIS DISQUE M8x16 (lot 4)	1	ALL BIKES/

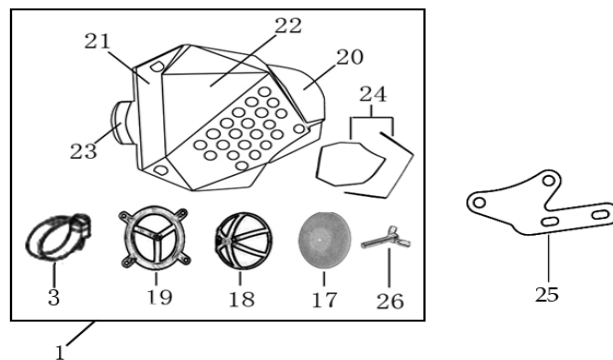
Fuel Tank



N	Ref.	Description	Français	Qty/ Bike	MODEL
1	YC110-0701-04	Fuel tank BIGY 2017	Reservoir BIGY 2017	1	/BIGY2017
2	YC110-07-01	Cushion for fuel tank	caoutchouc pour reservoir	2	ALL BIKES2011-17/
3	YC110-07-02	Washer for fuel tank $\Phi 12 \times \Phi 30 \times 11$ mm	entretoise pour reservoir $\Phi 12 \times \Phi 30 \times 11$ mm	2	ALL BIKES2011-17/
4	YC110-0702-01	YCF Tank cap plastic 2013-17	Bouchon reservoir plastique YCF 2013-17	1	ALL BIKES2013-17/
5	YC125-0704-BK	Fuel tank valve BLACK	Valve prise air NOIR	1	ALL BIKES/
6	YC110-0704-BK	Cap of Fuel tank valve BLACK	Capuchon Valve prise air NOIR	1	ALL BIKES/
7	YC110-0705-BK	Fuel tank valve Hose L=40mm BLACK	Durite caoutchouc Vale prise air L=40mm NOIRE	1	ALL BIKES/
8	YC110-0703	Fuel cock assy.	Robinet essence	1	ALL BIKES/
9	GB5787-M6×12-W	Plus screw M6X12	vis M6X12	2	ALL BIKES2012-2017/
10	GB5787-M8×30-B	screw M8X30 BLACK	vis M8x30 NOIR	2	P88s13-15/P12513-17/P15013-17/SM15013-17/SP13-17/BIGY2017
11	YC110-0706	fuel tank rubber line + spring $\Phi 4.5 \times \Phi 8.5 \times 210$ mm	durite reservoir avec ressort $\Phi 4.5 \times \Phi 8.5 \times 210$ mm	1	ALL BIKES/
12	YC110-07061	fuel tank lspring L=180mm	ressort durite reservoir L=180mm	1	ALL BIKES/
13	YC110-07062	fuel tank rubber line $\Phi 4.5 \times \Phi 8.5 \times 210$	durite reservoir $\Phi 4.5 \times \Phi 8.5 \times 210$	1	ALL BIKES/
14	YC110-07063	Holding ring	collier FILTRE	2	ALL BIKES/

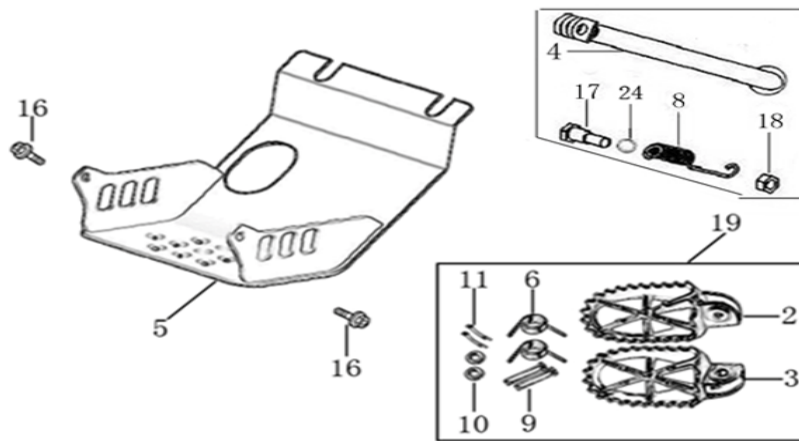
15	YC110-0720-02	Rubber mat for tank cap plastic $\Phi 14 \times \Phi 52 \times 2$ mm Oil proof	Caoutchouc bouchon reservoir YCF $\Phi 14 \times \Phi 52 \times 2$ mm	1	ALL BIKES2013-17/
17	YC110-0717	O-RING, $\Phi 11 \times 3$ mm For Fuel tank	Joint Thorique $\Phi 11 \times 3$ mm pour Reservoir	1	ALL BIKES2013-17 (BUT50A) /
18	YC110-0718-01	Complete fuel tank BIGY 2017 (with YC110-07-01 2EA+YC110-07-02 2EA)	Reservoir complet BIGY 2017	1	/BIGY2017
19	YC110-0719-01	Reservoir cover Bigy 2017 Black	Couvercle Reservoir Bigy 2017 Noir	1	/BIGY2017
20	GB973-M6×16-W	Screw M6×16	vis M6×16	1	/BIGY2017
21	YC110-0722-01	Fixing rubber block Fuel tank BIGY 2017	Maintient Caoutchuc reservoir Bigy 2017	1	/BIGY2017

Air Filter



N	Ref.	Description	Français	Qty/ Bike	MODEL
1	YC110-08-02	Air box assy 2013-17 with YCF LOGO	Boite a air complete YCF 2013-17	1	SP113-17/SP213-17/SP313-17/BIGY2017
3	YC110-0805	Holding ring $\phi 27$ - $\phi 51$ mm	collier Filtre $\phi 27$ - $\phi 51$ mm	1	ALL BIKES2012-2017 (BUT50A) /
17	YC110-08-011	YCF Air filter Foam	Mousse filtre a air YCF	1	P1251617/P1501617/SP13-17/SM1501617/BIGY2017
18	YC110-08-012	Top support for YCF air filter foam	support exterieur pour mousse filtre a air YCF	1	P1251617/P1501617/SP13-17/SM1501617/BIGY2017
19	YC110-08-013	Inside support for YCF air filter foam	support interieur pour mousse filtre a air YCF	1	P1251617/P1501617/SP13-17/SM1501617/BIGY2017

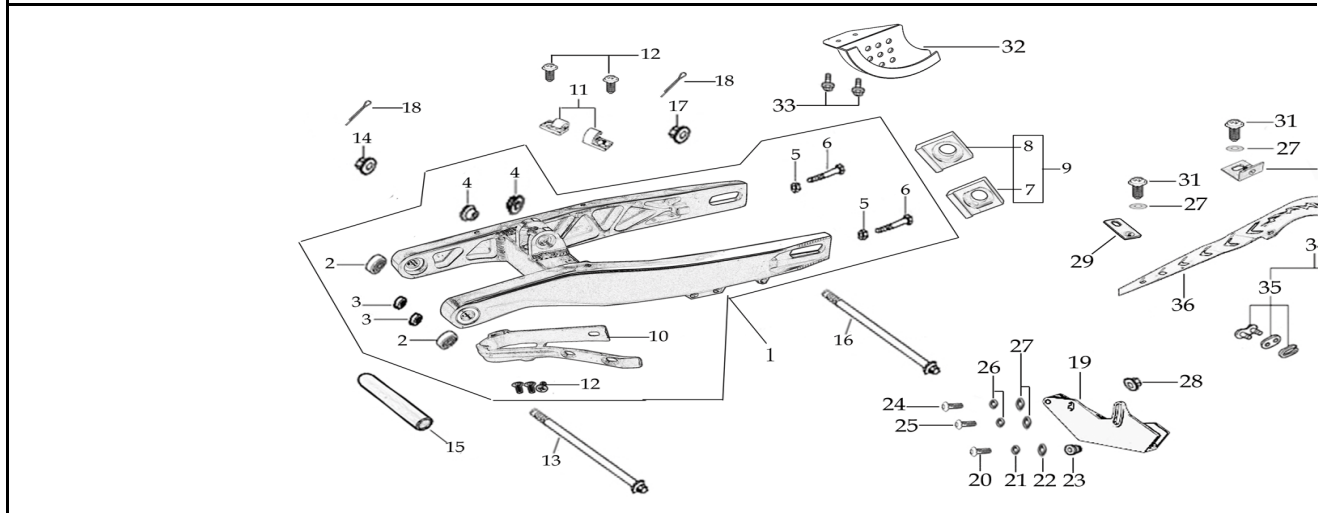
20	YC110-0820-03	Rear part of YCF air box 2013-17	Boitie arriere boite a air YCF 2013-17	1	SP31617/BIGY190 C17
21	YC110-08-015	Front case of YCF air box	Boitie avant boite a air YCF	1	SP12-17/BIGY2017
22	YC110-08-026	Cover with logo of YCF air box 2013-17	Couvercle cote boite a air YCF avec logo 2013-17	1	SP12-17/BIGY2017
23	YC110-08-0171	Air box Rubber connexion ϕ 49mm for Kehin 28 carb(with YC110-0805 1EA)	Manchon boite a air ϕ 49mm pour carbu Kehin PE28	1	SP31617/BIGY190C17
24	YC110-08-019	Cover Rubber Gasket of YCF air box	Joint Caoutchouc pour couvercle cote pour boite a air YCF	1	SP12-17/BIGY2017
24	YC110-08-020	Rubber Gasket for Rear part / front part of YCF air box	Joint Caoutchouc pour Boitie avant / Boitie arriere pour boite a air YCF	1	SP12-17/BIGY2017
24	YC110-08-021	Kit Rubber Gasket for Rear part / front part of YCF air box	Kit Joint pour Boitie avant / Boitie arriere pour boite a air YCF	1	SP12-17/BIGY2017
25	YC110-0825-02	Support of Air box BIGY 2017	Support Boite a air acier Bigy 2017	1	BIGY2017
	GB70.2-M6 \times 20	Plus screw M6X20	vis M6X20	2	SP12-17/BIGY2017
	GB6189-M6-W	Cltch Self-lock Nut M6	ecrou M6	2	SP12-17/BIGY2017
26	GB62-M6 \times 30-W	Butterfly screw M6 \times 30	vis M6x30	1	P1251617/P1501617/SP13-17/SM1501617/BIGY2017
Foot Peg assy					



N	Ref.	Description	Français	Qty/ Bike	MODEL
2	YC110-0902-02	Right foot peg Inox Large	Repose pied Inox droit Large	1	SP13-17/BIGY150B17/190 C17
3	YC110-0903-02	Left foot peg Inox Large	Repose pied Inox gauche Large	1	SP13-17/BIGY150B17/190 C17
4	YC110-0904-01	Adjustable Kick stand L=250~350mm	Bequille Reglable L=250~350mm	1	/BIGY2017
5	YC110-207-05	YCF2014 Engine skid plate Steel SPIII	NEW SABOT ACIER FACTORY SPIII	1	SP314-17/BIGY190C17
6	YC110-0906	Spring for inox foot peg (left/right) $\Phi 2 \times \Phi 16 \times 35 \text{MM}$	ressort repose pied (droit/gauche) inox $\Phi 2 \times \Phi 16 \times 35 \text{MM}$	2	SP13-17/BIGY150B17/190 C17
8	YC110-19-01	spring for kick stand $\Phi 2.5 \times \Phi 15 \times 105$	ressort bequille $\Phi 2.5 \times \Phi 15 \times 105$	1	ALL BIKES2014-17(BUTSP1/SP2/SP3)
9	GB882- $\Phi 8 \times 43$ -W	shaft pin for steel footpegs $\phi 8 \times 43$	axe repose pied acier $\phi 8 \times 43$	2	ALL BIKES2014-17(BUT50A/50E/SP1/SP2/SP3)/BIGY2017
10	GB97- $\Phi 8$ -W	flat washer $\phi 8 \times 16 \times 1$	rondelle $\phi 8 \times 16 \times 1$	2	ALL BIKES2011-17/
11	GB91- $\Phi 2 \times 25$ -W	Cotter pin 2.0x25	goupille 2.0x25	2	ALL BIKES2013-17/
16	GB5787-M6x16-W	screw M6X16 for skid plate	vis sabot M6X16	2	ALL BIKES2012-2017/
17	FB2-M10x35x1.5-G	Stepped screw M10X35 for kick stand	vis bequille M10X35	1	ALL BIKES2014-17(BUTSP1/SP2/SP3)/
18	GB6170-M10-G	Hex. Nut M10	ecrou bequille M10	1	ALL BIKES2014-17(BUTSP1/SP2/SP3)/

19	YC110-0902/05	Inox foot pegs set Large	Jeu repose pied inox Large	1	SP13-17/BIGY150B17/190 C17
24	GB93-Φ10-W	Standard spring washer φ10	rondelle φ10	1	ALL BIKES2014-17(BUTSP1/SP2/SP3)/

Swing Arm assy

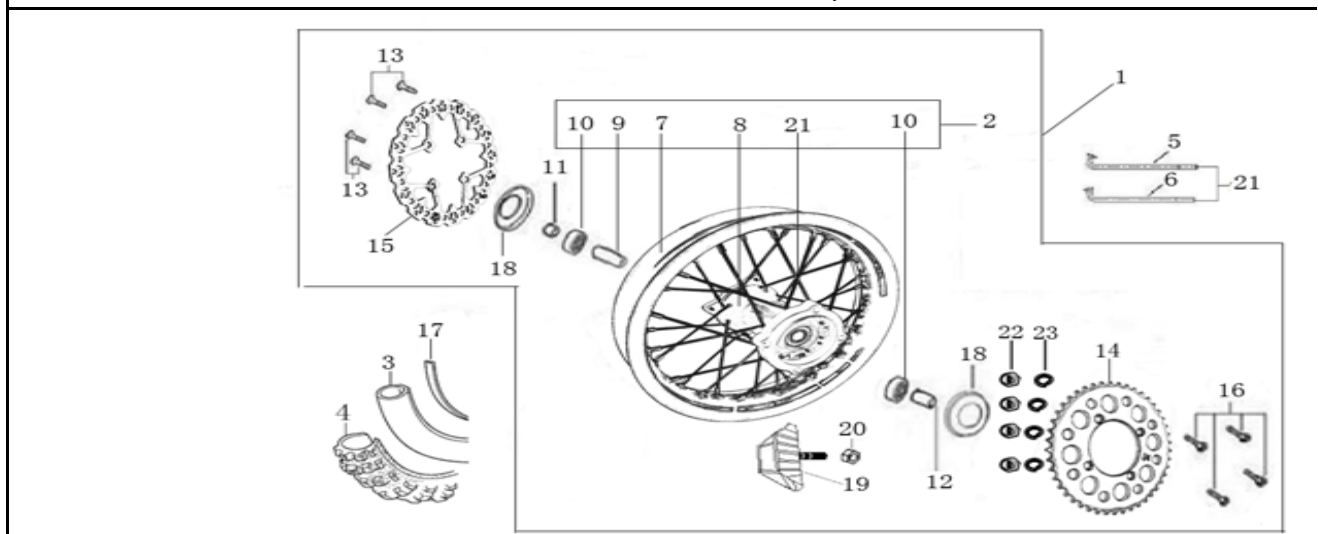


N	Ref.	Description	Français	Qty/ Bike	MODEL
1	YC110-1001-10	Mono swing arm YCF Aluminium 460mm BIGY 2017	bras oscillant mono Aluminium 460mm BIGY 2017	1	/BIGY150B17/BIGY190C17
2	6001/28-12-08	Swing arm bearing φ28xφ12x8mm	roulement bras oscillant φ28xφ12x8mm	2	ALL BIKES2009-17/
3	YC110-1001-0102	Sleeve for swing arm Φ26.5×Φ12.5×11×9	entretoise bras oscillant/amorto Φ26.5×Φ12.5×11×9	2	SP12-17/BIGY150B17/190 C17
4	YC110-1001-021	Sleeve for swing arm φ12xφ16xφ24×10	entretoise bras oscillant/amorto φ12xφ16xφ24×10	2	SP112-15/SP212-17/SP312-17/BIGY150B17/190 C17
5	GB5783-M8×40-W	Exterior hex. Bolt M8X40	vis tendeur chaine M8x40	2	ALL BIKES2012-17 (BUT50A) /
6	FB6170-M8-W	Hex. Nut M8	ecrou tendeur chaine M8	2	ALL BIKES2012-17 (BUT50A) /
7	YC110-11-094-SI	Block axle left SPI/SPII/SPIII / BIGY 150MX/FD190MX SILVER	Tendeur chaine gauche SPI/SPII/SPIII / BIGY F150MX/FD190MX SILVER	1	SP11415/SP214-17/SP314-17/BIGY150B17/190 C17
8	YC110-11-093-SI	Block axle right SPI/SPII/SPIII / BIGY F150MX/FD190MX SILVER	Tendeur chaine droit SPI/SPII/SPIII / BIGY F150MX/FD190MX SILVER	1	SP11415/SP214-17/SP314-17/BIGY150B17/190 C17
9	YC110-11-095-SI	Set of Block axle SPI/SPII/SPIII/BIGY F150MX/FD190MX SILVER	Jeu tendeur chaine SPI/SPII/SPIII/BIGY F150MX/FD190MX SILVER	1	SP11415/SP214-17/SP314-17/BIGY150B17/190 C17
10	YC110-10-025	Chain slider YCF Aluminium swing arm 420mm PU	patin chaine YCF long pour Bras oscillent Aluninium YCF 420mm PU	1	P12515-17/P15015-17/SP12-17/SM15015-17/BIGY2017

11	YC110-10-014-WH	Rear brake clip for WHITE	attache durite frein arriere BLANC	1	SP112-15/SP212-17/SP312-17/BIGY150B17/190C17
12	GB819-M6×12-W	Plus screw M6X12	vis m6x12	5	ALL BIKES2012-14/SP115/SP215-17/SP315-7/BIGY150B17/190C17
9	YC110-10-035	Swing arm shaft with self lock nut M12 L=240mm	axe bras oscillant ϕ 10 avec ecrou M12 L=240mm	1	P88s13-15/P12513-17/P15013-17/SM15013-17/BIGY2017
14	GB6187-M12-W	Self locking nut M12	ecrou bras oscillant M12	1	ALL BIKES2012-2017(BUT50A)/
24	YC110-1023-04	Central spacer swing arm Aluminium BIGY F150 MX / FD190 MX 2017	Entretoise centrale de bras oscillent BIGY F150 MX / FD190 MX 2017	1	/BIGY150B17/190C17
16	YC110-11-075	Rear wheel axle L=230mm with Self locking nut M14	axe roue arriere L=230mm avec ecrou M14	1	SP112-15/SP212-17/SP312-17/BIGY150B17/190C17
17	GB6187-M14-W	Self locking nut M14	ecrou axe roue arriere M14	1	ALL BIKES2012-17(BUT50A)/
18	GB91- Φ 2×35-W	Slipt Pin Φ 2×35mm	goupille Φ 2×35mm	1	SP112-15/SP212-17/SP312-17/BIGY150B17/190C17
19	YC110-1004	YCF chain guide assy for High class range BLACK	guide chaine YCF pour haut de gamme NOIR	1	P12515-17/P15015-17/SP12-17/SM15015-17/BIGY2017
20	GB70.2-M5×16	Plus screw M5X16	vis M5X16	1	P12515-17/P15015-17/SP12-17/SM15015-17/BIGY2017
21	GB93- Φ 5-W	Standard spring washer ϕ 5	rondelle ϕ 5	1	P12515-17/P15015-17/SP12-17/SM15015-17/BIGY2017
22	GB97- Φ 5-W	Flat washer ϕ 5	rondelle ϕ 5	1	P12515-17/P15015-17/SP12-17/SM15015-17/BIGY2017
23	GB6100-M5-CW	Adj. nut for YCF chain guide Φ 5× Φ 7× Φ 10×13mm	Vis reglage guide chaine YCF Φ 5× Φ 7× Φ 10×13mm	1	P12515-17/P15015-17/SP12-17/SM15015-17/BIGY2017
24	GB70-M6×20	Stud screw M6X20	vis M6X20	1	P12515-17/P15015-17/SP12-17/SM15015-17/BIGY2017
25	GB70-M6×25	Stud screw M6X25	vis M6X25	1	P12515-17/P15015-17/SP12-17/SM15015-17/BIGY2017
26	GB93- Φ 6-W	Standard spring washer ϕ 6	rondelle ϕ 6	2	P12515-17/P15015-17/SP12-17/SM15015-17/BIGY2017
27	GB97- Φ 6-W	Flat washer ϕ 6	rondelle ϕ 6	2	P12515-17/P15015-17/SP12-17/SM15015-17/BIGY2017
28	GB6177-M6-W	Hex. Nut M6	ecrou tendeur chaine M6	1	P12515-17/P15015-17/SP12-17/SM15015-17/BIGY2017
29	YC110-0600-02	Chain box protection support	Support Protection chaine plastique	1	ALL BIKES2012-2017(BUT50A)/
30	YC110-0600-021	Chain box protection support	Support Protection chaine plastique	1	ALL BIKES2012-2017(BUT50A)/

31	GB818-M6×12-W	Plus screw M6x12	vis M6x12	3	ALL BIKES2012-2017(BUT50A)/
27	GB97-Φ6	Flat washer φ6	rondelle φ6	3	ALL BIKES2012-16/
32	YC110-1010	YCF rear disk protection BLACK	protection disk arriere YCF NOIR	1	SP12-17/BIGY2017
33	GB5787-M6×12-W	Plus screw M6X12	vis M6X12	2	SP12-17/BIGY2017
34	420DX-116T-X	Chain 420DX-116T extra strong	Chaîne420 116 maillons renforcee	1	/BIGY150B17/190C17
35	AR-420	Chain link	Attache rapide chaine	1	All BIKES(BUT50E)/
28	YC110-0600-04	Chain box protection BIGY 2017	Protection chaine plastique BIGY 2017	1	/BIGY2017

Rear Wheel Assy

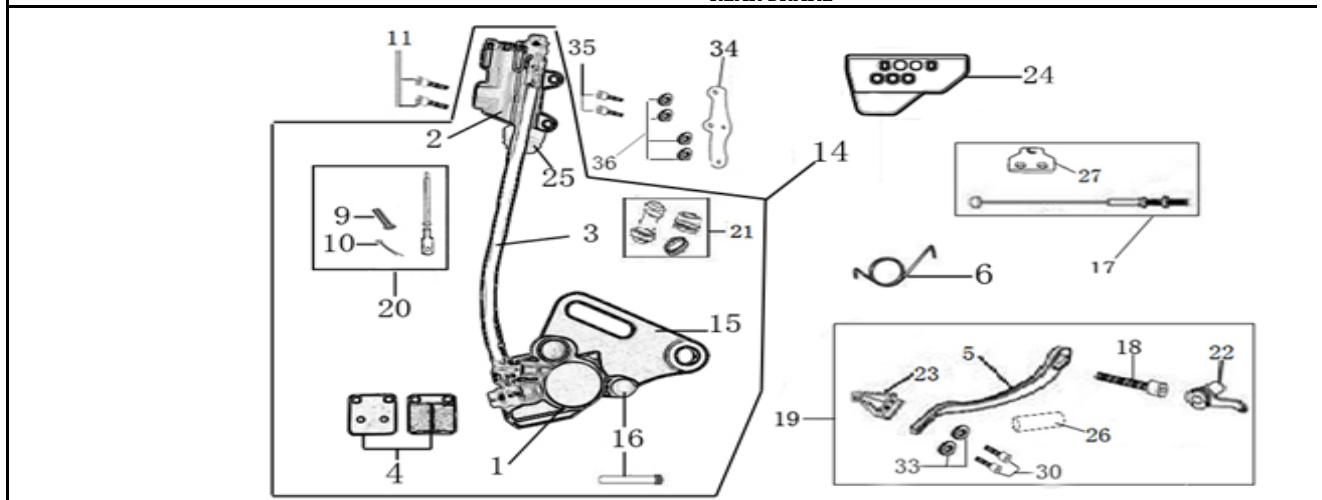


N	Ref.	Description	Français	Qty/ Bike	MODEL
1	YC110-1101-63-BK	Complete ALUMINIUM Rear wheel 1.85-14 with disk and sprocket CNC BLACK hub BLACK Rim	Roue arriere complète ALUMINIUM 1.85-14 avec disque et couronne, moyeux cnc NOIR / Jante NOIRE	1	/BIGY150B17/190C17
2	YC110-1102-63-BK	Complete ALUMINIUM Rear wheel 1.85-14 without disk. CNC hub BLACK / BLACK Rim	Roue arriere complète ALUMINIUM 1.85-14 sans disque moyeux CNC NOIR / Jante NOIRE	1	/BIGY150B17/190C17
3	CHAMBRE14-01	Tube for Rear tire 90/100-14	chambre air 90/100-14 standard	1	/BIGY2017
	FB6170-M8-Cr	Tire valve nut M8	Ecrou M8 pour chambre a air	1	ALL BIKES/

4	90/100/14ARRO	Rear tyre 90-100-14' ARRO 2017	Pneu arriere 90-100-14' ARRO 2017	1	BIGY150B17/190C17
7	YC110-1107-61-BK	ALUMINIUM 7116 Rim 1.85x14 Black	Cerceau roue alu 1.85x14 ALUMINIUM 7116 Noir	1	BIGY150B17/190C17
8	YC110-1101-022BK	YCF Rear hub CNC BLACK	moyeux arriere CNC NOIR	1	SP315/BIGY150B17/190C17/
9	YC110-1109-06	Rear hub axle bushing $\Phi 16 \times \Phi 20 \times 74$	entretoise intérieur moyeux arriere $\Phi 16 \times \Phi 20 \times 74$	1	F8813-17/F12513-17/P12513-17/SP113-17/SM13-17/BIGY2017
10	96140-6202-2Z	Ball bearing 6202-2Z $\Phi 35 \times \Phi 15 \times 11$	roulement roue 6202-2Z $\Phi 35 \times \Phi 15 \times 11$	2	ALL BIKES2012-2015 (BUT50A) / ALL BIKES2016-17 (BUT50A/SP2/SP3) /
11	YC110-11-045	Rear wheel spacer right $\phi 30 \times \phi 22 \times \phi 15 \times 29 \text{mm}$	entretoise roue arriere droite $\phi 30 \times \phi 22 \times \phi 15 \times 29 \text{mm}$	1	SP12-15/BIGY150B17/190C17/
12	YC110-11-055	Rear wheel spacer left $\phi 30 \times \phi 22 \times \phi 15 \times 38 \text{mm}$	entretoise roue arriere gauche $\phi 30 \times \phi 22 \times \phi 15 \times 38 \text{mm}$	1	SP12-15/BIGY150B17/190C17/
13	GB70.2-M8x16	Screw for disk M8X16	vis disque frein M8X16	4	ALL BIKES2016-17 (BUT50A)/
14	YC110-11-061/45	YCF Driven sprocket 420-45T CLASSIC HOLE	couronne acier 45T YCF (fraisee)	1	SP12-15/BIGY150B17/190C17/
15	YC110-1115-01	Rear Brake disc $\phi 200 \text{mm}$ 2016-17	Disque frein arriere $\phi 200 \text{mm}$ 2016-17	1	ALL BIKES 2016-17(BUT50A)/
16	GB70.3-M8x33-W	Hexagon socket countersunk head screws M8x33mm	vis M8x33mm	4	SP12-15/BIGY150B17/190C17/
17	YC110-11-06	tire lining 20x14'	fond jante 20x14'	1	/BIGY2017
18	YC110-0611	oil seal $\Phi 22 \times \Phi 35 \times 5$	joint spy roue $\Phi 22 \times \Phi 35 \times 5$	2	ALL BIKES2013-17(BUT50A)/
19	GRIPSTER1.85	GRIPSTER 1.85	gripster 1.85	1	SP12-17/BIGY150B17/190C17/
20	GB6170-M8-W	Nut M8	ecrou M8	1	SP12-17/BIGY150B17/190C17/
21	JR14-15.2	Set of spoke 14' rear wheel CNC hub 2017 (150mmx16+152mmx16)	Jeu rayon arriere 14' (150mmx16+152mmx16)	1	BIGYF150MX17/FD190MX17

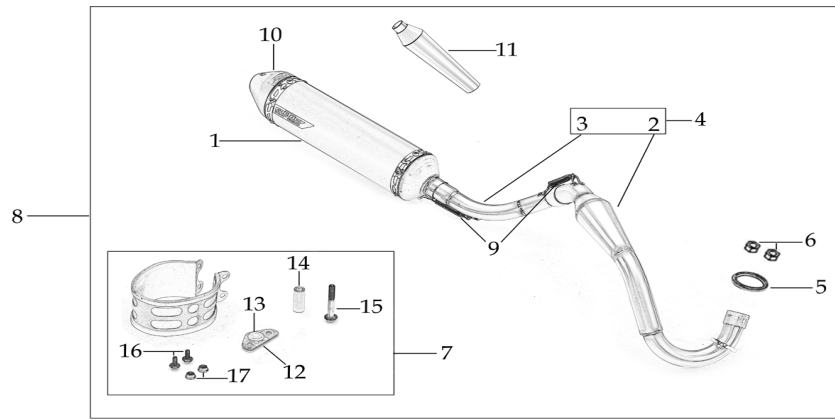
22	GB6189-M8-W	Cltch Self-lock Nut M8	ecrou M8	4	SP12-15/BIGY150B17/190 C17/
23	GB93-Φ8-W	washer φ8	rondelle φ8	4	SP12-15/BIGY150B17/190 C17/
	KVC-1	Rear sprocket screws kit 150CC (contain GB70.3-M8×33-W 4EA+GB6189-M8-W 4EA+GB93-Φ8-W 4EA)	Kit vis fraisees M8×33 couronne (lot 4) pour moyeux haut gamme 2011-17	4	SP12-15/BIGY150B17/190 C17/
	KVD	Disk screws kit (contain GB70.2-M8×16-Cr 4EA)	KIT VIS DISQUE M8×16 (lot 4)	1	ALL BIKES/

REAR BRAKE



N	Ref.	Description	Français	Qty/ Bike	MODEL
1	YC110-1201-07	Rear Caliper 1 piston Φ10 2016-17	étrier frein arrière 1 piston Φ10 2016-17	1	SP21617/SP31617/BIGY150B17/190C17
2	YC110-1201028	Rear reservoir φ 10mm (with stick L=40mm)	maître cylindre frein arrière avec embout durite φ 10mm	1	/BIGY150B17/190 C17
3	YC110-1201051	Oil steel tube L=505mm Φ10/Φ10 BIGY F150 MX / FD190 MX 2017 oil connection 85°	durite frein arrière L=505mm Φ10/Φ10 BIGY DF150 MX / FD190 MX 2017 oil connection 85°	1	/BIGY150B17/190 C17
4	YC110-1204-02	Friction pad for 1 piston brake w/t abestos with copper substrate 2016-17	plaquette frein arrière 1 piston SANS AMIANTE 2016-17	2	SP21617/SP31617/BIGY150B17/190C17
5	YC110-1205-05	Aluminium brake pedal + 3 cm CP/FP12 / SPI / SPII / SPIII / BIGY	Pédale de frein + 3 cm Aluminium CP/FP12 / SPI / SPII / SPIII / BIGY	1	SP13-17/BIGY150B17/190 C17
6	YC110-21-06	Spring for Steel brake pedal' SPII/SPIII 2015-17 / BIGY 2017	ressort pour pédale de frein Acier SPII/SPIII 2015-17 / BIGY 2017	1	SP13-17/BIGY150B17/190 C17
7	FB20-10×14×2-W	Flat washer Φ10×Φ13.5×2	rondelle Φ10×Φ13.5×2	1	SP13-17/BIGY150B17/190 C17
9	GB882-Φ7×16-W	Pin shaft 7x16mm	axe 7x16mm	1	ALL BIKES2012-17 (BU150A)/

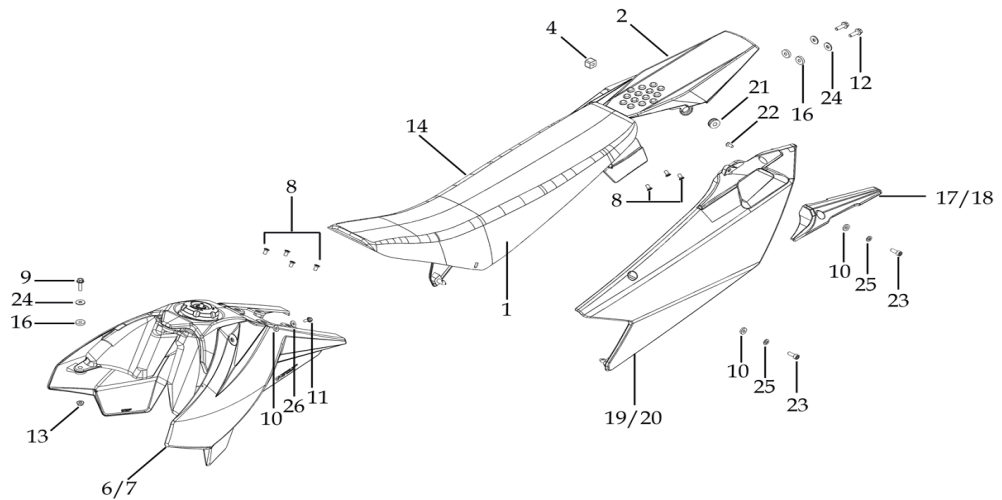
10	GB91-Φ1.6×16-W	Split pin 1.6x16mm	goupille 1.6x16mm	1	ALL BIKES2012-17 (BUT50A)/
11	GB70-M6×20	Hex. Bolt M6x20	vis M6x20	2	ALL BIKES2012-17 (BUT50A)/
14	YC110-12012-28	Rear brake aasy 1 piston W/T ABESTOS Φ10/Φ10 L=505mm 2017 DOT4	Kit frein arriere 1 piston avec gaine plastic SANS AMIANTE Φ10/Φ10 L=505mm 2017	1	/BIGY150B17/190C1 7
15	YC110-1201-09	Rear brake bracket 2016-17	patte fixation étrier frein arriere 2016-17	1	SP21617/SP31617/BI GY150B17/190C17
16	YC110-0555	Rear Brake pads Screw L=50mm Army green	Vis plaquette AR L=50mm	2	SP21617/SP31617/BI GY150B17/190C17
18	GB70.1-M10×35-W	Nut for brake pedal M10X35	vis pour pédale frein M10X35	1	P88s13-15/P12513- 17/P15013-17/SM15013- 17/SP13-17/BIGY2017
19	YC110-219-02	complete brake pedal SP 2016-17	Pedale de frein complete SP 2016-17	1	SP15- 17/BIGY150B17/1 90C17
21	YC110-120111	rubber for rear caliper SP2/SP3 2016-17	jeu de caoutgouc d'etrier frein arriere SP2/SP3 2016-17	1	SP21617/SP31617/BI GY150B17/190C17
22	YC110-1222-01	Brake pedal fixation for Aluminium pedal SPII/SPIII 2015-17 BLACK	Cylindre pédale de frein Aluminium "externe" SPII/SPIII 2015-17 NOIR avec roulements	1	SP15- 17/BIGY150B17/1 90C17
	6900Z	Ball bearing 6900Z Φ10×Φ22×6mm	roulement Cylindre pedale 6900Z Φ10×Φ22×6mm	2	SP15- 17/BIGY150B17/1 90C17
	FB13-10×14×6	bushing 10×14×6MM	entretoise 10×14×6MM	1	SP15- 17/BIGY150B17/1 90C17
23	YC110-21-11	Aluminium brake pedal end cap	embout pédale de frein Aluminium	1	SP12- 17/BIGY150B17/190 C17
25	YC110-12025-01	Rubber for REAR RESERVOIR PUSH STICK 2016	Caoutchouc tige maitre cylindre frein arrier 2016	1	P1251617/P1501617/SP16 17/SM1501617/BIGY2017
30	GB70-M6×25	Hex. Bolt M6×25	vis M6×25	2	SP12- 17/BIGY150B17/190 C17
33	GB93-Φ6-W	Standard spring washer φ6	rondelle φ6	2	SP12- 17/BIGY150B17/190 C17
34	YC110-1215-06	Mount for rear break reservoir "extern" BIGY F150 MX / FD190 MX 2017	Fixation maitre cylindre frein arriere "externe" BIGY F150 MX / FD190 MX 2017	1	/BIGY150B17/190C1 7
35	GB70-M6×16	Hex. Bolt M6x16	vis M6x16	2	P88s13-15/P12513- 17/P15013-17/SM15013- 17/SP13-17/BIGY2017
36	GB93-Φ6	Standard spring washer φ6	rondelle φ6	4	SP13-17/BIGY2017
Exhaust system					



N	Ref.	Description	Français	Qty/ Bike	MODEL
1	YC110-13014-02	YCF Muffler SP2/SP3 (2 springs) 2015-17	silencieux YCF SP2/SP3 2015-17	1	SP215-17/SP315-17/BIGY150B17/190C17
1	YC110-13014-03-BK	Muffler RACING 2016-17 (2 springs)	silencieux YCF SP3 RACING 2016-17	1	SP31617/BIGY190C17
4	YC110-13028-03	Exhaust pipe assy single Muffler BIGY 190 MX 2017	Collecteur Racing Single BIGY 190 MX 2017	1	/BIGY190C17
5	18291/152FMH	Exhaust pipe washer φ32×φ25.5×4	joint pot φ32×φ25.5×4	1	ALL BIKES2012-2017 (BUT50A) /
6	GB6187-M6-W	Self-locking Nut M6	écrou M6	2	BIGY2017/
7	YC110-1307-04	Hoop for muffler BIGY F150 MX /FD190 MX 2017	Attache silencieux BIGY F150 MX / FD190MX 2017	1	/BIGY150B17/190C17
12	YC110-1328-02	Support of muffler hoop 2016	Support Attache silencieux Bigy	1	SP21617/SP31617/BIGY150B17/190C17
13	YC110-1404-01	Rubber plug Hoop for muffler Φ8.2Φ20.2×9mm BLACK	Support support Attache silencieux Bigy	1	SP21617/SP31617/BIGY150B17/190C17
15	GB5787-M8×20-W	Hex. Bolt with flanged M8x20	vis M8x20	1	/BIGY2017
16	GB5787-M6×16-W	Hex. Bolt with flanged M6x16	vis M6x16	2	SP21617/SP31617/BIGY150B17/190C17
17	GB6177-M6-W	Hex. Flanged nut M6	écrou M6	2	SP21617/SP31617/BIGY150B17/190C17
8	YC110-139-09	Complete Single Racing Muffler & Exhaust BIGY FD190 MX 2017	Echappement complet BIGY FD190 MX SINGLE 2017	1	/BIGY190C17
9	YC110-1310-01	muffler spring Φ2×Φ10×43mm	ressort pot Φ2×Φ10×43mm	3	SP31617/BIGY190C17

10	YC110-13-35	Muffler end cap SPII 2015-17	Emout silencieux SPII 2015-17	1	SP215-17/SP315-17/BIGY150B17/190C17
----	-------------	------------------------------	-------------------------------	---	-------------------------------------

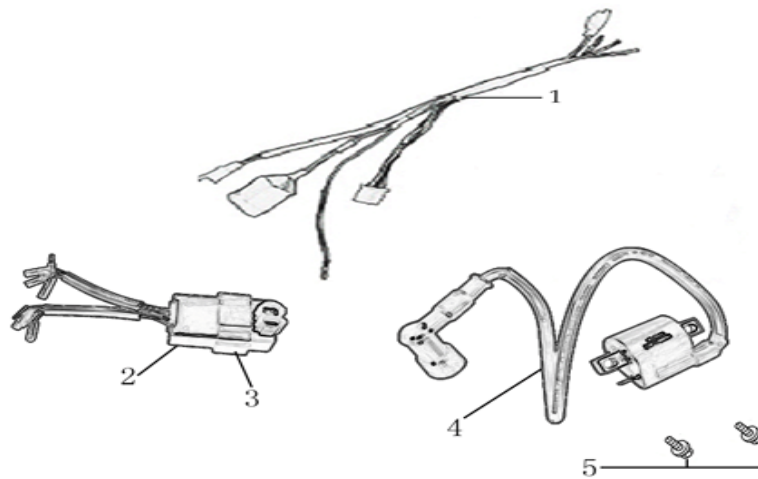
Seat & Plastic kit



N	Ref.	Description	Français	Qty/ Bike	MODEL
1	YC110-1401-11	Seat assy BIGY 2017	Selle BIGY 2017	1	/BIGY2017
2	YC110-14-019-YE	Rear fender BIGY 2017 YELLOW	Garde boue arrière BIGY 2017 JAUNE	1	/BIGY190C17
17	YC110-1428-02-BK	Handle right side BIGY 2017 BLACK	Poignee plaque laterale droite Bigy 2017	1	/BIGY2017
19	YC110-14-029-YE	Right side plastic BIGY 2017 YELLOW	Plaque latérale droite BIGY 2017 JAUNE	1	/BIGY190C17
18	YC110-1429-02-BK	Handle left side BIGY 2017 BLACK	Poignee plaque laterale gauche Bigy 2017	1	/BIGY2017
20	YC110-14-049-YE	Left side plastic BIGY 2017 YELLOW	Plaque latérale gauche BIGY 2017 JAUNE	1	/BIGY190C17
21	YC110-1404-01	Cushion for side plastic $\Phi 8.2 \times \Phi 20.2 \times 9$ mm 2017	Caoutchouc plaque laterale $\Phi 8.2 \times \Phi 20.2 \times 9$ mm 2017	2	P1251617/P1501617/ SM1501617/SP1617/ BIGY2017
4	YC110-14-03	Cushion for right side plastic	caoutchouc plaque laterale droite	1	ALL BIKES/
22	GB819-M5×12-W	Plus screw M5X12	vis m5x12	2	P1251617/P1501617/ SM1501617/SP1617/ BIGY2017
23	GB70-M6×16-Cr	Hex. Bolt M6x16	vis M6x16	4	/BIGY2017
25	GB97- $\Phi 6$ -W	flat washer $\phi 6$	rondelle $\phi 6$	4	P1251617/P1501617/ SM1501617/SP1617/ BIGY2017
10	YC110-02-13	Rubber washer $\Phi 6 \times \Phi 14 \times 3$ mm	joint caoutchouc $\Phi 6 \times \Phi 14 \times 3$ mm	6	ALL BIKES2012-17/

6	YC110-14-058-YE	Right shroud BIGY 2017 YELLOW	Ouie radiateur droite BIGY 2017 JAUNE	1	/BIGY190C17
7	YC110-14-068-YE	Left side shroud BIGY 2017 YELLOW	Ouie radiateur gauche BIGY 2017 JAUNE	1	/BIGY190C17
8	GB819-M6x12-W	Plus screw M6X12	vis m6x12	7	/BIGY2017
9	GB5787-M6x25-W	hex. Bolt with flanged M6x25	vis M6x25	2	/BIGY2017
11	FB5787-M5x12-W	hex. Bolt with flanged M5x12	vis M5x12	2	ALL BIKES2012-17/
26	GB96-Φ5-W	flat washer Φ5xΦ12	rondelle Φ5xΦ12	2	ALL BIKES2015-17/
12	GB5787-M6x20-B	hex. Bolt with flanged M6x20 BLACK	vis M6x20 NOIR	2	ALL BIKES2012-17/
13	GB6177-M6-W	Hex. Flanged nut M6	écrou M6	2	ALL BIKES2012-17/
14	YC110-1414-01	Seat cover BIGY 2017	Housse selle BIGY 2017	1	/BIGY2017
16	YC110-03-01	Rubber washer Φ6xΦ18x4mm	joint caoutchouc Φ6xΦ18x4mm	4	ALL BIKES2012-17/
24	GB96-Φ6	flat washer φ6	rondelle φ6	4	ALL BIKES2012-17/

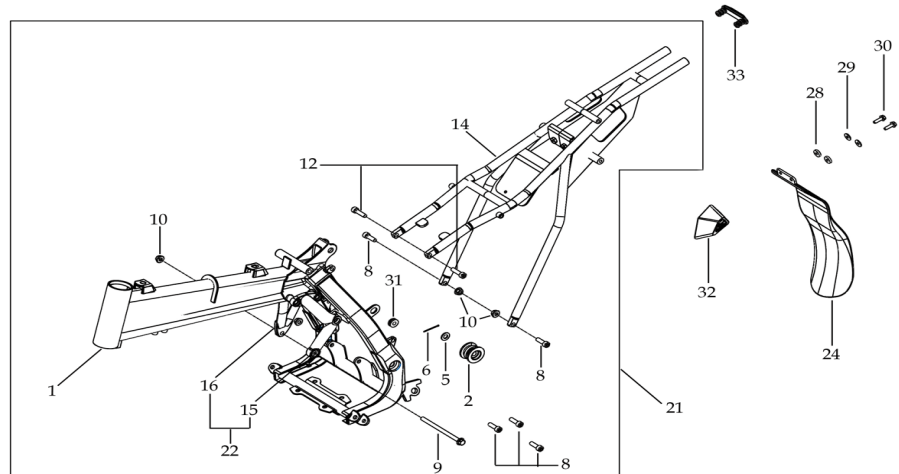
ELECTRIC



N	Ref.	Description	Français	Qty/ Bike	MODEL
1	86917	WIRE HERNES for ANIMA-FDX	FAISCEAU ELECTRIQUE	1	SP313-17/BIGY190C17
2	86427	BOX, CDI ANIMA 150-190	CDI ANIMA 150-190	1	SP313-17/BIGY190C17

4	86426	COIL, IGNITION	BOBINE D'ALLUMAGE	1	SP313-17/BIGY190C17
5	GB5787-M6x16-W	Hex. Bolt M6x16	vis m6x16	2	SP313-17/BIGY190C17

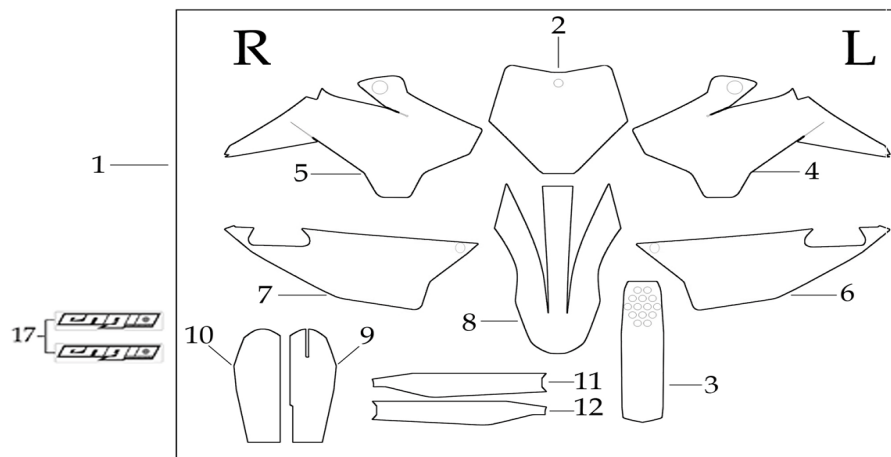
Frame



N	Ref.	Description	Français	Qty / Bike	MODEL
1	YC110-174-01-BK	Chromely Frame BIGY 2017 BLACK	Cadre chromolly BIGY 2017 NOIR	1	/BIGY125A17/150A17/150B17/190C17
2	YC110-2201	YCF Chain tensioner component	roulette chaine YCF	1	ALL BIKES2011-2017 (BUT50A) /
5	GB97-Φ10-W	Flat washer φ10x17x2	rondelle φ10x17x2	1	ALL BIKES2011-2017 (BUT50A) /
6	GB91-Φ2x25-W	cotter pin φ2.0x25	goupille φ2.0x25	1	ALL BIKES2011-2017 (BUT50A) /
15	YC110-1615-03	Frame engine aluminium pads left Bigy SILVER 2017	Patte de cadre aluminium gauche Bigy 2017 SILVER	1	/BIGY2017
16	YC110-1616-03	Frame engine aluminium pads right Bigy SILVER 2017	Patte de cadre aluminium droite Bigy 2017 SILVER	1	/BIGY2017
8	GB70-M8x25	Stud screw M8X25	vis M8X25	6	/BIGY2017
9	GB5787-M8x125-W	Hex. Bolt with flanger face M8x125	vis M8x125	1	/BIGY2017
10	GB6187-M8-W	Self locking nut M8	ecrou M8	3	/BIGY2017
14	YC110-1614-08-BK	REAR FRAME PART STEEL BIGY-125A 2016	Boucle arriere acier Bigy 2017	1	/BIGY125A17/150A17/150B17/190C17
12	GB70-M8x30	Stud screw M8X30	vis M8X30	2	/BIGY2017

8	GB70-M8x25	Stud screw M8X25	vis M8X25	2	/BIGY2017
10	GB6187-M8-W	Self locking nut M8	ecrou M8	2	/BIGY2017
21	YC110-1621-02-BK	Complete frame BIGY 2017	Cadre complet BIGY 2017	1	/BIGY125A17/150A17/150B17/190C17
22	YC110-1622-03	Set of aluminium engine pads BIGY 2017	Jeu de patte de cadre aluminium BIGY 2017	1	/BIGY2017
24	YC110-0460-01	Rear shock absorber rubber protection 2016-17	Bavette caoutchouc 2016-17	1	SP1617/BIGY2017
28	GB5787-M6x20-B	hex. Bolt with flanged M6x20 BLACK	vis M6x20 NOIR	2	/BIGY2017
29	GB96-Φ6-W	Washer φ6×φ18mm	Rondelle φ6×φ18mm	2	SP13-17/BIGY2017
30	YC110-03-01	Rubber washer Φ6×Φ18×4mm	joint caoutchouc Φ6×Φ18×4mm	2	ALL BIKES2012-16
31	YC110-1404-01	Rubber for Subframe	Caoutchouc pour Boucle Arriere	2	P1251617/P1501617/ SM1501617/SP1617/ BIGY2017
32	YC110-1634-01	Cover rubber for left muffler connexionBIGY 2017	Cache Caoutchouc Connexion Silencieux Gauche Bigy 2017	1	/BIGY2017
33	YC110-1633-01	YCF Rubber plug for Subframe BIGY 2017	Embout Caoutchouc YCF boucle arriere Bigy 2017	1	/BIGY2017

GRAPHICS



N	Ref.	Description	Français	Qty/ Bike	MODEL
1	KDBIGYD190MX2017	BIGY FACTORY DAYTONA 190 MX complete graphic kit 2017	Kit deco complet BIGY FACTORY DAYTONA 190 MX 2017	1	/BIGY190C17
2	YC110-34-0120	Front plate graphic FACTORY DAYTONA 190 MX 2017	Sticker Plaque avant FACTORY DAYTONA 190 MX 2017	1	/BIGY190C17

3	YC110-34-0220	Rear mudguard graphic FACTORY DAYTONA 190 MX 2017	Sticker GB Arriere FACTORY DAYTONA 190 MX 2017	1	/BIGY190C17
4	YC110-34-0320	Left shrouder graphic FACTORY DAYTONA 190 MX 2017	Sticker Ouie gauche radiateur FACTORY DAYTONA 190 MX 2017	1	/BIGY190C17
5	YC110-34-0420	Right shrouder graphic FACTORY DAYTONA 190 MX 2017	Sticker Ouie droite radiateur FACTORY DAYTONA 190 MX 2017	1	/BIGY190C17
6	YC110-34-0520	Left side plate graphic FACTORY DAYTONA 190 MX 2017	Sticker Plaque laterales gauche FACTORY DAYTONA 190 MX 2017	1	/BIGY190C17
7	YC110-34-0620	Right side plate graphic FACTORY DAYTONA 190 MX 2017	Sticker Plaque laterales droite FACTORY DAYTONA 190 MX 2017	1	/BIGY190C17
8	YC110-34-0720	Front fender Front fender graphic FACTORY DAYTONA 190 MX 2017	Sticker GB Avant FACTORY DAYTONA 190 MX 2017	1	/BIGY190C17
9	YC110-34-0820	Front left shock protection graphic FACTORY DAYTONA 190 MX 2017	Sticker Protection gauche fourche FACTORY DAYTONA 190 MX 2017	1	/BIGY190C17
10	YC110-34-0920	Front right shock protection graphic FACTORY DAYTONA 190 MX 2017	Sticker Protection droit fourche FACTORY DAYTONA 190 MX 2017	1	/BIGY190C17
17	KDENG-02	ENGI Front Fork graphic 2016-17	Sticker Fourche ENGI 2016-17	2	SP31617/BIGY190C17
	YC110-1911	Motocross Rims Sticker BLUE	Sticker Jantes Motocross BLEU	4	SP213-17/SP313-17/BIGY150B17/190C17
	YC110-1912	YCF Air box Sticker	Sticker Boite a Air YCF	1	SP13-17/BIGY2017
	YC110-1901	Sticker Chain	Autocollant Chaine	1	ALL BIKES2013-17/
	YC110-1902	Sticker Tire	Autocollant Pression Pneu	1	ALL BIKES2013-17/
	YC110-1903	Sticker Warning OIL Level	Autocollant Attention Niveau Huile	1	ALL BIKES2013-17/
	YC110-1904	Sticker Rear Mudguard 70×57mm	Autocollant garde boue arriere 70×57mm	1	ALL BIKES2013-17/
	YC110-1905	Sticker CE	Autocollant CE	1	ALL BIKES2013-17/
	YC110-1906	Warning sticker	Sticker Attention	1	ALL BIKES2013-17/

	YC110-1907	Warning Sticker Transport	Sticker Caisse Avertissement Transport	1	ALL BIKES2013-17/
	YC110-1908	Warning Sticker Shosk Absorber	Sticker Avertissement Amortisseur	1	ALL BIKES2013-17/

ENGINES

	86876	Engine Daytona 190cc 4 Valves	Moteur Daytona 190cc 4 valves ANIMA	1	SP319014-17/BIGY190C17
	17311-6	INLET PIPE ,Pro ANIMA 150 for PE28	PIPE ADMISSION PE28	1	SP31617/BIGY190C17
	46758	RUBBER MANIFOLD SET (with YC50-0803 1EA+YC110-2029 1EA+GB70-M6×15-B 2EA)	Manchon pipe admission Daytona	1	SP31617/BIGY190C17
	YC110-2030	RUBBER MANIFOLD SET PE28	Manchon pipe admission Daytona PE28	1	SP31617/BIGY190C17
	YC110-2029	YCF carburettor paper gasket	joint papier carburateur	1	SP31617/BIGY190C17
	YC50-0803	Holding ring φ21-φ44mm	collier FILTRE φ21-φ44mm	1	SP31617/BIGY190C17
	GB70-M6×15-B	Hex. Bolt M6x15	vis M6x15	2	SP31617/BIGY190C17
	86373	COVER, MAGNET ANIMA 150-190	CARTER ALLUMAGE ANIMA 150-190	1	SP313-17/BIGY190C17
	YC140-27600-SI	STEEL KICK YCF 2015-17 BIG HOLE	KICK ACIER 2015-17 GROS DIAMETRE SILVER	1	P15015-17/SM15015-17/SP15-17/BIGY150A17/150B17/190C17
	24700-GY	GEARSHIFT FACTORY LOGO GREY	SELECTEUR YCF GRIS	1	SP31617/BIGY190C17

CARBU

	85707-1	Carburetor KEIHIN PE28 with main jet 115 and slow jet 38	Carburateur KEIHIN PE28 GICLEUR 115 GICLEUR 38	1	SP31617/BIGY190C17
--	---------	--	--	---	--------------------

CARTONS - CAISSES MOTOS

	YC110-CARTON-04	BIKE BOX BIGY 1550×380×880mm	CARTON EMBALLAGE MOTO BIGY	1	/BIGY2017
	YC110-FOAMBOX	Foam box 420×340×160mm	Cale PS	1	ALL BIKES2014-17/

	YC110-FILM	Protective film for seat 600×600×0.02mm	Protection plastique de Selle	1	ALL BKIES2014-17/
--	------------	---	-------------------------------	---	-------------------

CATALOGUES - FICHES MOTOS - FICHES STICKER

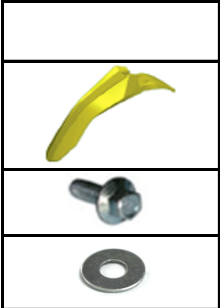
	YC110-0700-01	Accessory tools	Trousse a outils	1	ALL BIKES/
	YC110-0700-0201	Owner manual 2017	Manuel Utilisation 2017	1	ALL BIKES2013-17/
	YC110-0700-0401	Vin Plate 2017	Plaque Vin 2017	1	ALL BIKES2013-17/
	YC110-0700-03	A4 sheet assy	Fiche A4	1	ALL BIKES/









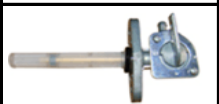




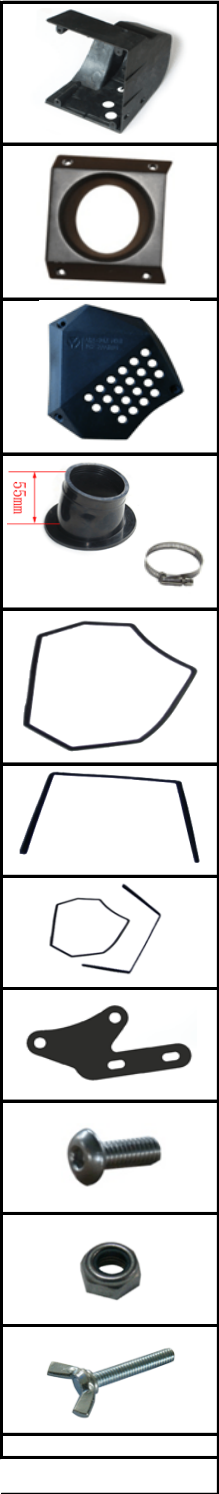




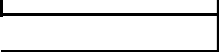




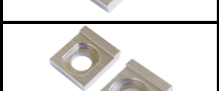
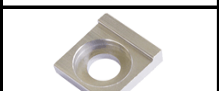
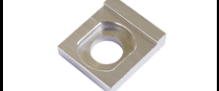
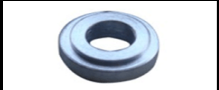




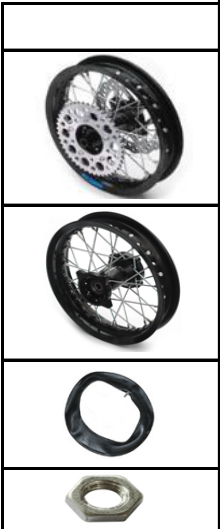


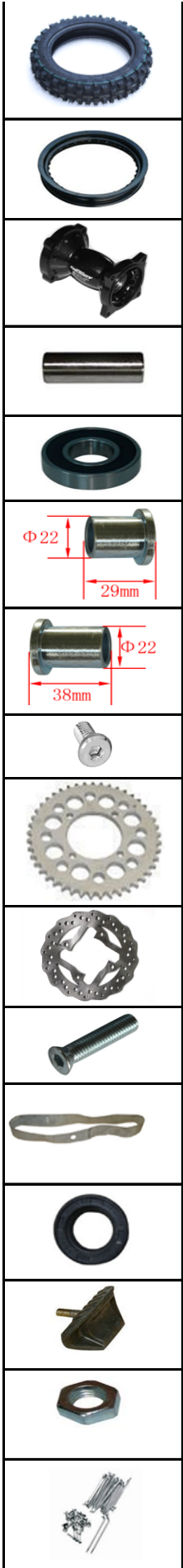


-30



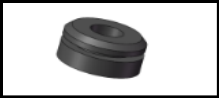


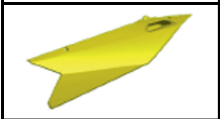
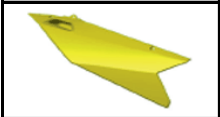
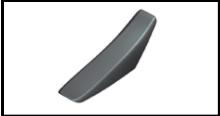


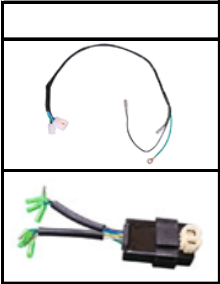


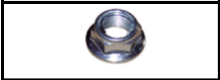
















MOTOCROSS
compatible 12 & 14 pouces (in)

FACTORY
COVER THE FILTER
BEFORE CLEANING

DRIVE CHAIN - CHAÎNE
READ CAREFULLY BEFORE USE. CONSULT THE USER MANUAL FOR MAINTENANCE INSTRUCTIONS - LIRE LE MANUEL D'UTILISATION POUR LES INSTRUCTIONS D'ENTRETIEN ET D'USURE. SEULEMENT EN FRANÇAIS DANS LE MANUEL.

TIRE INFORMATION - PNEUS
MAXIMUM PRESSURE FRONT 2.0 BAR / 29 PSI - MAXIMUM CAPACITY 12.0 LITRE
MAXIMUM WEIGHT CAPACITY 100 KG (220 LBS)
TIRE SIZE FRONT 120/70-125 / REAR 160/70-160
PRESSION PNEUS AVANT 2 BAR / 29 PSI
PNEUS COURSE MAXIMUM 100 KG
MAXIMUM PNEUS ARRIERE 160/70-160

WARNING - IMPORTANT
BEFORE OPERATING THIS VEHICLE, YOU MUST CHECK THE ENGINE OIL LEVEL.
AVANT DE DÉMARRER LE VÉHICULE, VÉRIFIER LE NIVEAU D'HUILE MOTEUR.

WARNING - AVERTISSEMENT
ATTENTION - AVERTISSEMENT
LIRE LE MANUEL D'UTILISATION POUR LES INSTRUCTIONS D'ENTRETIEN ET D'USURE. SEULEMENT EN FRANÇAIS DANS LE MANUEL. SEULEMENT EN FRANÇAIS DANS LE MANUEL. SEULEMENT EN FRANÇAIS DANS LE MANUEL. SEULEMENT EN FRANÇAIS DANS LE MANUEL.




NE PAS OUBLIER DE FAIRE LES RESERVEES
D'USAGES AUPRES DU TRANSPORTEUR A
RECEPTION DES COLIS SUR LE BON DE
LIVRAISON.
PLEASE CHECK THE CONDITION OF CRATE
AT RECEIPT OF GOODS.
ANY DAMAGE SHOULD BE NOTED ON THE
CONNOTE WITH THE FREIGHT CARRIER.

WARNING - AVERTISSEMENT
WARNING:
THE SHOCK ABSORBER IS NOT LOCKED.
ATTENTION:
LA VIS DE L'AMORTISSEUR N'EST PAS SERREE.
L. 48 (2015)

