

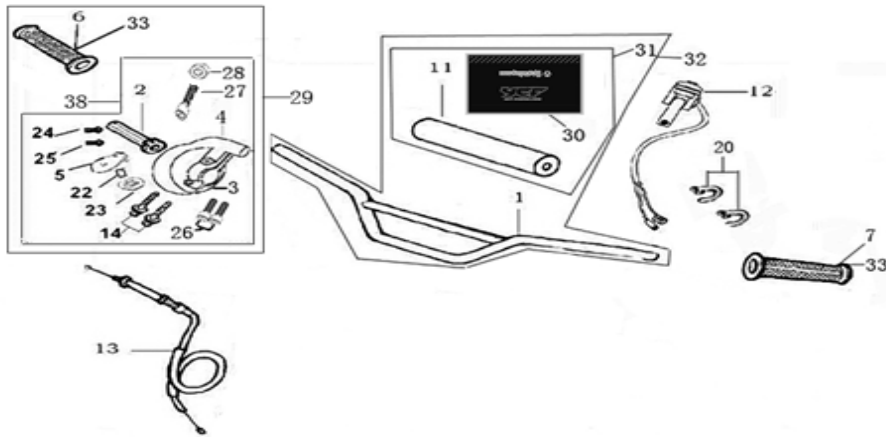


YCF-Riding.com

START F885

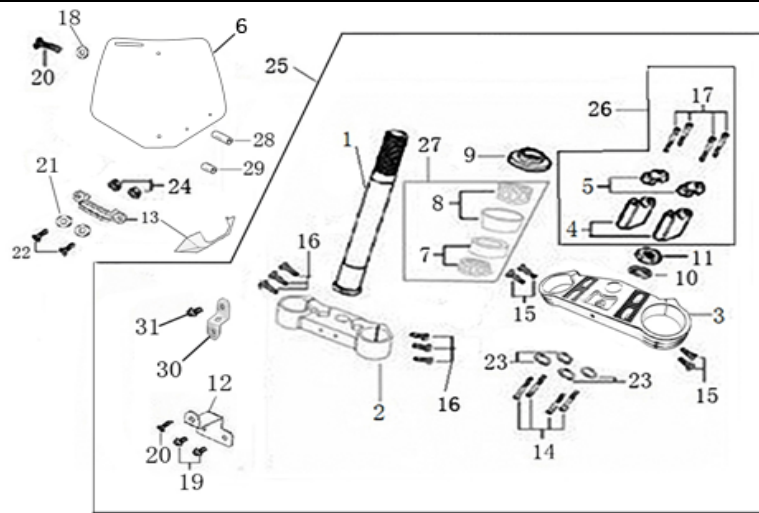


Handle bar assembly



N°	Ref.	Description	Français	Qty/ Bike	MODEL
1	YC110-0101	Handle Bar START Chromelly L=740mm	Guidon chromolly START L=740mm	1	F88s12-16/F88se16/F12512-16/F125s12-16/F125se16/SM125s12-16 / P88s13-16/P12513-16/P15013-16
2	YC110-01021-01	YCF Throttle Body 2012 BLACK	plastique poignée de gaz YCF 2012 NOIR	1	ALL BIKES 2012-2016
3	YC110-01021-04	YCF Lower Throttle Body Housing 2012	dessous poignée gaz YCF 2012	1	50A12-16/F88s12-16/F88se16/F12512-16/F125s12-16/F125se16/P88s12-15/P12514-16/SM125s14-16
4	YC110-01021-03	Upper Throttle Body Housing YCF 2012	dessus poignée gaz YCF 2012	1	ALL BIKES 2012-2016
5	YC110-01021-02	Upper Throttle Body Housing Cover YCF 2012	plastique du dessus poignée gaz YCF 2012	1	ALL BIKES 2012-2016
6	YC110-01-01-GY	YCF Right Grip GREY	poignée caoutchouc droite YCF GRISE	1	ALL BIKES2012-2016
7	YC110-01-02-GY	YCF Left Grip GREY	poignée caoutchouc gauche YCF GRISE	1	ALL BIKES2012-2016
11	YC110-0110-01	Bar pad for Chromolly Handlebar L=250 mm	Mousse guidon pour guidon Chromolly L=250 mm	1	F88s12-16/F88se1516/F12512-16/F125s12-16/F125se1516/P88s13-15/P12513-16/P15012-16/SM125s12-16

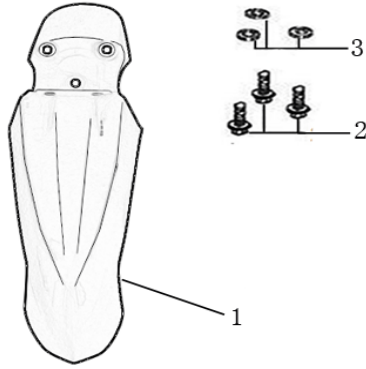
12	YC110-0105-01	Kill Switch ON/OFF L=580mm	Coupe circuit on off L=580mm	1	ALL BIKES2012-16 (BUT50A/SPIII)
13	YC110-0106-04	Throttle Cable L=710mm A+B=125	Cable gaz L=710mm A+B=125	1	F88s1516/F88se1516
14	GB5787-M6×22-G	Hex. Bolt with Flanged Face M6X22	vis M6X22	2	ALL BIKES2012-16(BUT50A)
20	YC110-01-03-BK	Tape 150mm BLACK	colier maintien cable 150mm NOIR	2	ALL BIKES
20	YC110-01-03-WH	Tape 150mm WHITE	colier maintien cable 150mm BLANC	2	ALL BIKES
20	YC110-01-05-BK	Tape 350mm BLACK	colier maintien cable 350mm NOIR	5	ALL BIKES
22	YC110-0102-08	YCF Throttle cable Bearing $\Phi 8 \times \Phi 16 \times 5$ mm	Roulement poignee gas YCF $\Phi 8 \times \Phi 16 \times 5$ mm	1	ALL BIKES2012-2016
23	YC110-0102-07	YCF Throttle cable guide pulley plastic $\Phi 12 \times \Phi 16 \times \Phi 28 \times 8$ mm	Roulette plastique Poignee Gas YCF $\Phi 12 \times \Phi 16 \times \Phi 28 \times 8$ mm	1	ALL BIKES2012-2016
24	GB819-M4×12	Plus screw M4×12	vis M4×12	1	ALL BIKES2012-2016
25	GB819-M4×20	Plus screw M4×20	vis M4×20	1	ALL BIKES2012-2016
26	GB70-M6×20-B	Hex. Bolt M6x20 BLACK	vis M6x20 NOIR	2	ALL BIKES2012-2016
27	GB70-M5×12	Hex. Bolt M5×12	vis M5×12	1	ALL BIKES2012-2016(BUT50A)
30	YC110-012021-BK	PVC for Bar Pad suitable Chromolly Handlebar 246mm×156mm 2013 BLACK	PVC mousse guidon Chromolly 246mm×156mm 2013 NOIR	1	F88s12-16/F88se1516/F12512-16/F125s12-16/F125se1516/P88s13-15/P12513-16/P15012-16/SM125s12-16
31	YC110-0132BK	Complete Bar Pad for Chromolly Handlebar L=250mm 2013 BLACK	Mousse guidon complete pour guidon Chromolly L=250mm 2013 NOIR	1	F88s12-16/F88se1516/F12512-16/F125s12-16/F125se1516/P88s13-15/P12513-16/P15012-16/SM125s12-16
32	GA02-BK	Chromelly Handle Bar with bar pad and pvc START / PILOT / SM125s 2013	Guidon chromolly complet avec Mousse et Pvc START / PILOT / SM125s 2013	1	F88s12-16/F88se1516/F12512-16/F125s12-16/F125se1516/P88s13-15/P12513-16/P15012-16/SM125s12-16
33	PPC010-GY	YCF set of grip GREY	Paire de poignée caoutchouc YCF GRISE	1	ALL BIKES2012-2016
38	YC110-01021-N	YCF Throttle Assy. 2012 without grip (with YC110-0102-08 1EA)	Poignee gaz réglable YCF 2012 nue	1	ALL BIKES12-13(BUT50CC)/F88s14-16/F88se1516/F12514-16/F125s14-16/F125se1516/P88s1415/P12514-16/SM125s14-16
39	YC50-0105-01	YCF50 Start switch L=500mm	Bouton demareur YCF50 L=500mm	1	50A12-16/F88se1516/F125se1516
Steering stem assembly					



N	Ref.	Description	Français	Qty/ Bike	MODEL
1	YC88-0201-02	Steering stem 213 mm	tige colonne direction 213 mm	1	5011/F88s12-16/F88se1516
2	YC110-0202-39-BK	Lower triple clamp 160 mm ϕ 48mm 2014 MATT BLACK	té fourche inferieur 160 mm ϕ 48mm NOIR MAT	1	F88s14-16/F88se1516/F12514-16/F125s14-16/F125se1516/SM125s14-16/SM1501516/SP114
3	YC110-0201-39-BK	Top Triple Clamp 160mm ϕ 45mm 2014 (not adjustable) MATT BLACK	té fourche supérieur 160 mm ϕ 45mm (non ajustable) 2014 NOIR MAT	1	F88s14-16/F88se1516/F12514-16/F125s14-16/F125se1516/SM125s14-16/SM1501516/SP114
4	YC110-0203-23	Lower Bar Mount CNC START type, not adjustable ϕ 22.2 / height 55 mm BLACK	Pontet guidon inférieur non ajustable type START ϕ 22.2 / hauteur 55 mm NOIR	2	ALL BIKES2012-2016(BUT50A/SP1/SP2/SP3)
5	YC110-0202-04	Top Bar Mout CNC ϕ 22.2 mm/height 18mm START Type BLACK	pontet guidon supérieur ϕ 22.2 mm Type START NOIR	2	ALL BIKES2013-15/ALL BIKES2016(BUTSP3)
6	YC110-0212-02OR	YCF Front Number Plate Orange	plaque avant Orange YCF	1	F88s15/P88s15/F88se16
7	297-41/24	Lower Taper roller bearing 41/24	roulement inférieur 41/24	1	50A12-16/F88s13-16/F88se1516
8	297-41/22.5	Top Taper roller bearing 41/22.5 R START 08	roulement supérieur 41/22.5	1	50A12-16/F88s13-16/F88se1516
9	YC110-02-09	Top nut for steering ϕ 52	écrou crantellé colonne direction ϕ 52	1	ALL BIKES2012-2016
10	YC110-02-10	Washer for steering stem nut ϕ 22.5 \times ϕ 36 \times 0.7	joint colonne direction ϕ 22.5 \times ϕ 36 \times 0.7	3	ALL BIKES2012-2016
11	YC110-02-11	Nut for steering stem M22	écrou supérieur colnne direction M22	1	ALL BIKES2012-2016
12	YC110-0213-03	Number plate bracket long L=60mm H=53mm	support plaque avant L=60mm H=53mm	1	88P12/RS12/RSSA12/RS P12/SM12512/SM15012/F12513/F88s13-16/F88se1516/P88s13-15

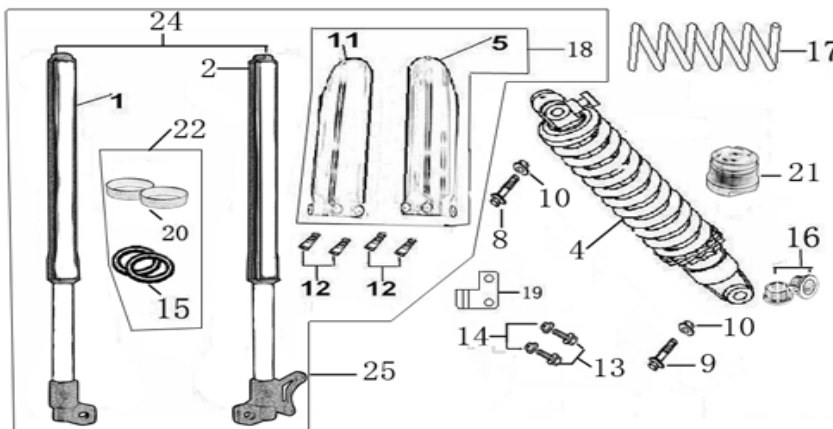
13	YC110-02-14-WH	Break Line Retainer White	guide durite sur plaque avant Blanc	1	ALL BIKES2012-2013/50A14-16/F88s14-16/F88se1516/P88s1415
14	GB70-M8×30	Stud screw M8X30	vis M8X30	4	ALL BIKES2012-16 (BUT50A)
15	GB70-M6×25	Stud screw M6X25	vis M6X25	4	ALL BIKES2012-16 (BUT50A)
16	GB70-M6×25	Stud screw M6X25	vis M6X25	4	ALL BIKES2012-16 (BUT50A)
17	GB70-M8×25	Stud screw M8X25	vis M8X25	4	ALL BIKES2012-16 (BUT50A)
18	GB97-Φ6-W	flat washer φ6	rondelle φ6	1	ALL BIKES2012-16
19	GB5787-M6×16-W	Hex. Bolt with Flanged Face M6X16	vis M6X16	2	ALL BIKES2012-2016
20	GB9074.5-M6×16-W	Plus screw M6X16 (for bottom front No plate)	vis m6x16 bas plaque No avant	1	50A14-16/F88s14-16/F88se1516/P88s1415
20	GB9074.5-M6×25-W	Plus screw M6X25 (for top front No plate)	vis m6x25 haute plaque No avant	1	50A14-16/F88s14-16/F88se1516/P88s1415
21	GB97-Φ4-W	flat washer φ4	rondelle φ4	2	ALL BIKES2012-16
22	GB818-M4×10-W	Plus screw M4×10	vis M4×10	2	ALL BIKES2012-16
23	GB93-Φ8-W	Spring washer Φ8mm	rondelle Φ8mm	4	ALL BIKES2012-2016
24	GB6170-M4-W	Nut M4	ecrou M4	2	50A14-16/F88s14-16/F88se1516/P88s1415
25	YC88-02-041-BK	Complete Triple Clamp (TOP45 / BOTTOM 48) F88s 2014 MATT BLACK	Te Fourche Complet (TE SUP. 45 / TE INF.48 Type F88s 2014 NOIR MAT	1	F88s14-16/F88se1516/
26	YC110-0203-05	Set of Bar mount not adjustable φ22.2mm/bottom 55mm START Type BLACK (with GB70-M8×25 4EA+GB70-M8×30 4EA+GB93-Φ8-W 4EA)	jeu pontet guidon non ajustable φ 22.2mm / pontet bas 55mm Type START NOIR	1	ALL BIKES2012-2016(BUT50A/SPI/SP2/S P3)
27	KRDIRECTION41-2	set of bearing for steering 41/24、 41/22.5	kit rlt colonne direction 41/24、 41/22.5	1	50A12-16/F88s13-16/F88se16
28	FB13-9×10×17-W	Front Number plate spacer (Top) φ 8.5×10×17	entretoise Plaque numero avant (Haut) φ 8.5×10×17	1	ALL BIKES2013/50A14-16/F88s14-16/F88se1516/P88s1415
29	FB13-9×10×6-W	Front Number plate spacer (Bottom) φ 8.5×10×5.5	entretoise Plaque numero avant (Bas) φ 8.5×10×5.5	1	50A12-16/F88s12-16/F88se1516
30	YC110-0213-04	Number plate bracket long TOP BLACK	support plaque avant NOIR	1	50A13-16/F88s13-16/F88se1516
31	GB5787-M6×10-W	Hex. Bolt M6X10	vis M6×10	1	50A12-16/F88s13-16/F88se16

Front Fender



N	Ref>	Description	Français	Qty/ Bike	MODEL
1	YC50-031OR	Front Fender YCF50 ORANGE	Gb avant YCF50 ORANGE	1	F88s15/50A16/F88se16
2	GB5787-M6×20-W	Hex. Bolt with flanged M6X20	vis M6X20	3	ALL BIKES
	GB96-Φ6-W	Washer φ6×φ18mm	Rondelle φ6×φ18mm	3	ALL BIKES
3	YC110-03-01	Rubber washer Φ6×Φ18×4mm	caoutchouc Φ6×Φ18×4mm	3	ALL BIKES

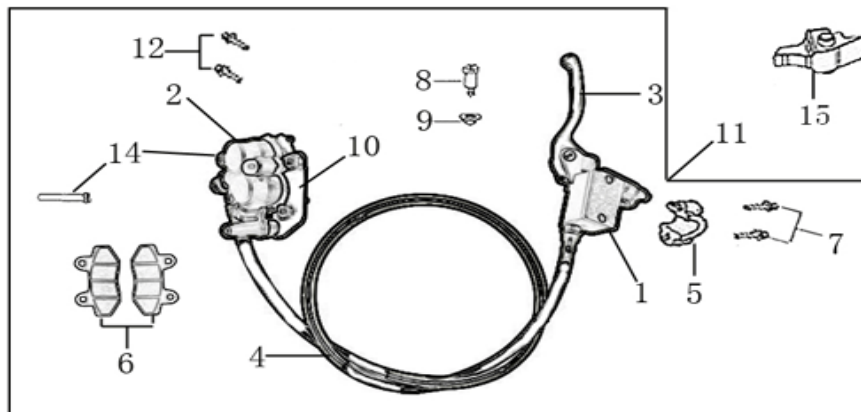
Front & Rear absorber



N	Ref.	Description	Français	Qty/ Bike	MODEL
1	YC110-0401-02	Front right fork 600mm (not adjustable) GREY	Tube fourche droit 600mm GRIS	1	F88s13-16/F88se1516
2	YC110-0402-18	Front left fork 600mm (not adjustable) 2015 GREY	Tube fourche gauche 600mm 2015 GRIS	1	F88s1516/F88se1516
4	YC110-0404-15	Shock absorber START F88s 265mmx850lbs YELLOW	Amortisseur START F88s 265 x 850lbs JAUNE	1	F88s13-16/F88se1516
5	YC88-04-01-BK	Left front fork protection 600LB	protection fourche gauche 600 LB	1	F88s12-16/F88se1516
8	GB5787-M12×50-W	Hex.bolt with flanged face M12x1.25x50	vis M12x1.25x50	1	F88s13-16/F88se1516/F12513-16/F125s13-16/F125se1516/SM125s13-16
9	GB5787-M12×45-W	Hex. Bolt with flanged M12X45	vis M12X45	1	F88s13-16/F88se1516/F12513-16/F125s13-16/F125se1516/P88s13-15/P12513-16/P15013-16/SM13-16

10	GB6187-M12-W	Self-locking Nut M12	écrou M12	2	ALL BIKES2012-2016(BUT50A)
11	YC88-04-02-BK	Right front fork protection BLACK L=600mm	Protection fourche droite NOIR L=600mm	1	F88s12-16/F88se1516
13	GB5787-M6×16-W	Plus screw M6X16	vis M6X16	2	ALL BIKES2012-2016
14	GB6177-M6-W	Hex. Flanged nut M6	écrou M6	2	ALL BIKES2013-15(BUT50A)/F88s16/F88se16/F125s16/F125se16/SM125s16
16	YC110-0419	shock bottom spacer ϕ 12mm (same for top/bottom) LB	entretoise amortisseur bas ϕ 12 mm pour bras mono LB	4	F88s13-16/F88se1516/F12512-16/F125s12-16/F125se1516/SM125s12-16
18	PFMARZO-LB600	set of fork protection 600mm LB Black	jeu protection fourche 600mm LB Noir	1	F88s12-16/F88se1516
19	YC110-0403-02	oil steel line retainer on left front fork	passer durite sur protection fourche gauche	2	ALL BIKES2013-15(BUT50A)/F88s16/F88se16/F12516/F125s16/F125se16/SM125s16
	YC110-0421-01	oil steel line retainer on left front fork	passer durite sur protection fourche gauche	1	ALL BIKES2013-15(BUT50A)/F88s16/F88se16/F12516/F125s16/F125se16/SM125s16
24	YC110-0400-13	Pair of fork 600mm (not adjustable) 2015 GREY	Jeu de fourche 600mm 2015 GRIS	1	F88s1516/F88se1516

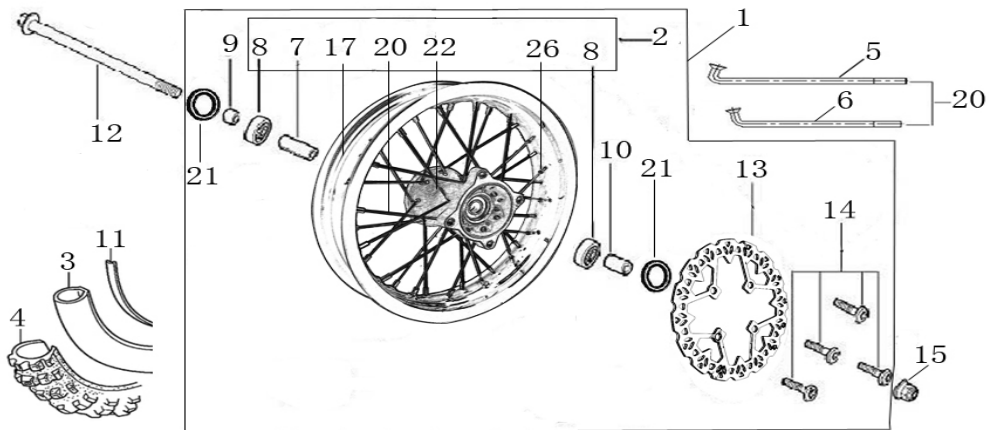
Front Brake Assy



N	Ref.	Description	Français	Qty/ Bike	MODEL
1	YC110-0501-0102	Front Brake Reservoir for 2 pump	maitre cylindre frein avant pour étrier 2 pistons	1	ALL BIKES2012-15(BUT50A)/F88s16/F88se16/F125s16/F125se16/SM125s16
2	YC110-0501-0208	Front Brake Φ 8 F88s 2016	Frein avant Φ 8 F88s 2016	1	F88s16/F88se16
3	YC110-0501-014	Front brake lever 2014 With notch	LEVIER FREIN 2014	1	ALL BIKES2014-15(BUT50A)/ALL BIKES2016(BUT50A/SP2/SP3)
4	YC110-0501-0314	Front brake steel line L=980mm M10/ Φ 8 BLACK 2016	durite frein avant L=980mm M10/ Φ 8 NOIR 2016	1	F88s16/F88se16

5	YC110-0501-022	Brake perch bracket for double pump	demi cocotte frein avant pour frein double pistons	1	ALL BIKES2012-16(BUT50A)
7	GB5787-M6×22-G	Hex.bolt with flanged M6X22	vis M6X22	2	ALL BIKES2012-16(BUT50A)
8	HB06-M6×25-G	Hex.bolt with flanged M6X25	vis M6X25	1	ALL BIKES2012-16(BUT50A)
9	GB6177-M6-G	Self-locking nut M6	écrou M6	1	ALL BIKES2012-16(BUT50A)
11	YC110-0501-20	front brake assy 1 pump L=980mm Φ10/Φ8 2016	kit frein avant simple piston avec gaine plastic noire L=980mm Φ10/Φ8 2016	1	F88s16/F88se16
12	GB70-M6×30-W	Stud screw M6X30	vis M6X30	2	ALL BIKES2012-16 (BUT50A)
15	YC110-0502-01	rubber for brake lever	caoutchouc levier frein avant	1	ALL BIKES2014-15(BUT50A) / ALL BIKES2016(BUT50A/SP2/SP3)

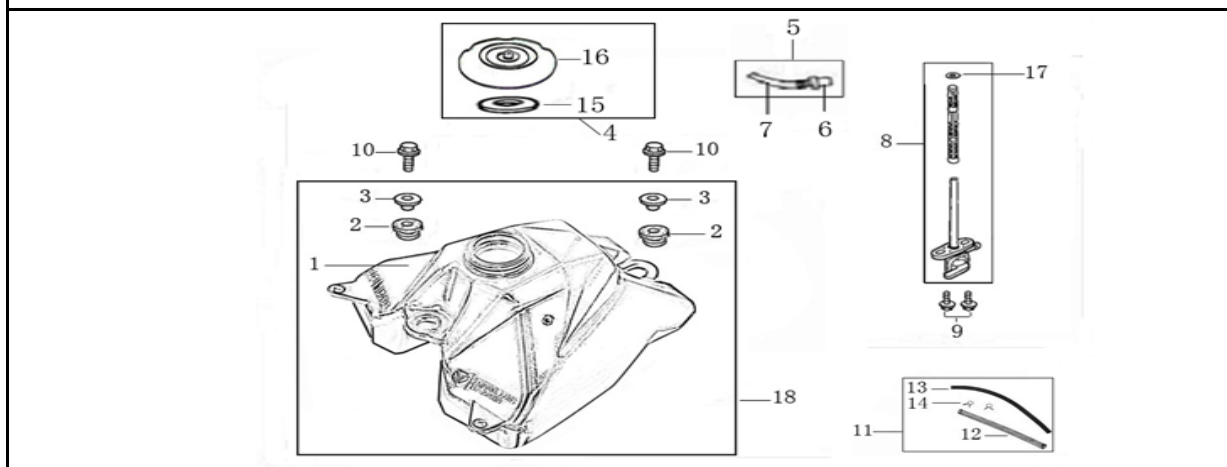
Front Wheel Assy



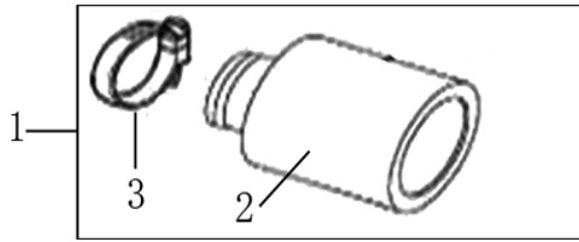
N	Ref.	Description	Français	Qty/ Bike	MODEL
1	YC110-0601-08	Complete STEEL Front wheel 1.4x10' with disk. Casting hub	roue avant complète ACIER 1.4x10' moyeux injecte avec disque	1	F88s16/F88se16
2	YC110-0602-01	Complete STEEL Front wheel 1.4x10' without disk. Casting hub	roue avant complète ACIER 1.4x10' moyeux injecte sans disque	1	F88s13-16/F88se1516
3	CHAMBRE10-2.5	Tube for front tire 2.50-10' GL	chambre air 2.50-10' GL	1	50A12-16/F88s13-16/F88se1516
	FB6170-M8-Cr	Tire valve nut M8	Ecrou M8 pour Chambre a air	1	ALL BIKES
4	250/10	Tire 2.50-10' GUANGLI	pneu 250-10' GUANGLI	1	50A12-16/F88s12-16/F88se16

7	YC110-0601-02	Front axle bushing $\Phi 16 \times \Phi 22 \times 44$	entretoise central roue avant $\Phi 16 \times \Phi 22 \times 44$	1	ALL BIKES2013-15(BUT50A)/ALL BIKES2016(BUT50A/SP2/SP3)
8	96140-6202-2Z	Ball bearing 6202-2Z $\Phi 35 \times \Phi 15 \times 11$	roulement roue 6202-2Z $\Phi 35 \times \Phi 15 \times 11$	2	ALL BIKES2012-2015 (BUT50A) /ALL BIKES2016 (BUT50A/SP2/SP3)
9	YC110-06-047	Front wheel spacer right $\phi 15 \times \Phi 22 \times 23$ mm with STEP 2015	entretoise roue avant droite $\phi 15 \times \Phi 22 \times 23$ mm	1	ALL BIKES2015(BUT50A)/ALL BIKES2016 (BUT50A/SP2/SP3)
10	YC110-06-052	Front wheel spacer left $\phi 15 \times \Phi 22 \times 33$ mm	entretoise roue avant gauche $\phi 15 \times \Phi 22 \times 33$ mm	1	ALL BIKES2012-2015 (BUT50A)/ALL BIKES2016(BUT50A/SP2/SP3)
11	YC110-11-02	Tire lining for 10'	fond jante av 10'	1	50A12-16/F88s12-16/F88se1516
12	YC110-06-061	Front Axle 215 mm with Self-locking nut M14 for Marzocchi style fork	axe de roue avant L=215 mm marzocchi avec ecrou M14	1	ALLBIKES2013-16(BUT50A/SM)
13	YC110-1115-01	Front disk $\phi 200$ mm 2016	disque frein avant $\phi 200$ mm 2016	1	F88s16/F88se16
14	GB70.2-M8x16	Screw for disk M8X16	vis disque frein M8X16	4	ALL BIKES2016 (BUT50A)
15	GB6187-M14-W	Self-locking nut M14	écrou roue avant M14	1	ALL BIKES2012-16(BUT50A)
17	YC50-0617-01	STEEL Rim for Front wheel 1.4x10'	cerceau roue av 1,4x10' ACIER	1	50A12-16/F88s12-16/F88se1516
20	JR10-10	set of front spoke 10' (98mmx24+104mmx8)	Jeu rayon avant 10' (98mmx24+104mmx8)	1	F88s12-16/F88se1516
21	YC110-0611	OIL SEAL $\phi 22 \times 35 \times 5$	joint spy roue $\phi 22 \times 35 \times 5$	2	ALL BIKES2013-16(BUT50A)
22	YC110-0622-02	Front hub casting with oil seal	moyeux avant injectée avec joint spy	1	ALL BIKES2012-15 (BUT50A/SPII/SPIII) /ALL BIKES 2016(BUT50A/SP)

Fuel Tank

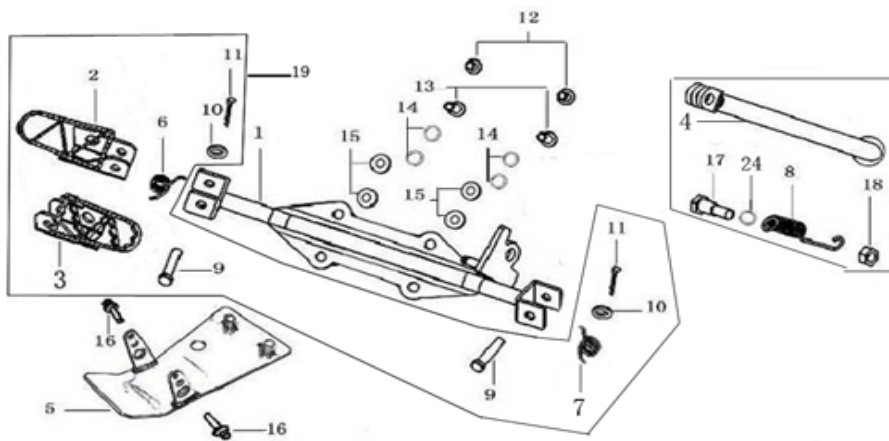


N	Ref.	Description	Français	Qty/ Bike	MODEL
1	YC110-0701-01	YCF Fuel tank with YC110-1910 1EA (suitable for pre 2013 bikes)	Reservoir YCF (Adaptable pour motos avant 2013)	1	ALL BIKES2013-16 (BUT50A)
2	YC110-07-01	Cushion for fuel tank	caoutchouc pour reservoir	2	ALL BIKES2011-16
3	YC110-07-02	Washer for fuel tank $\Phi 12 \times \Phi 30 \times 11$ mm	entretoise pour reservoir $\Phi 12 \times \Phi 30 \times 11$ mm	2	ALL BIKES2011-16
4	YC110-0702-01	YCF Tank cap plastic 2013	Bouchon reservoir plastique YCF 2013	1	ALL BIKES2013-16
5	YC125-0704-BK	Fuel tank valve BLACK	Valve prise air NOIR	1	ALL BIKES
6	YC110-0704-BK	Cap of Fuel tank valve BLACK	Capuchon Valve prise air NOIR	1	ALL BIKES
7	YC110-0705-BK	Fuel tank valve Hose L=40mm BLACK	Durite caoutchouc Vale prise air L=40mm NOIRE	1	ALL BIKES
8	YC110-0703	Fuel cock assy.	robinet essence	1	ALL BIKES
9	GB5787-M6×16-W	Hex. Bolt with flanged M6X16	vis M6X16	2	ALL BIKES2012-2016
10	GB5787-M8×25-B	Hex. Bolt with flanged M8X25 BLACK	vis M8X25 NOIR	2	50A13-16/F88s13-16/F88se1516/F12513-16/F125s13-16/F125se1516/SM125s13-16
11	YC110-0706	fuel tank rubber line + spring $\Phi 4.5 \times \Phi 8.5 \times 210$ mm	durite reservoir avec ressort $\Phi 4.5 \times \Phi 8.5 \times 210$ mm	1	ALL BIKES
12	YC110-07061	fuel tank lspring L=180mm	ressort durite reservoir L=180mm	1	ALL BIKES
13	YC110-07062	fuel tank rubber line $\Phi 4.5 \times \Phi 8.5 \times 210$	durite reservoir $\Phi 4.5 \times \Phi 8.5 \times 210$	1	ALL BIKES
14	YC110-07063	Holding ring	collier FILTRE	2	ALL BIKES
15	YC110-0720-02	Rubber mat for tank cap plastic $\Phi 14 \times \Phi 52 \times 2$ mm Oil proof	Caoutchouc bouchon reservoir YCF $\Phi 14 \times \Phi 52 \times 2$ mm	1	ALL BIKES2013-16
17	YC110-0717	O-RING, $\Phi 11 \times 3$ mm For Fuel tank	Joint Thorique $\Phi 11 \times 3$ mm pour Reservoir	1	ALL BIKES2013-16 (BUT50A)
18	YC110-0718	YCF Complete fuel tank suitable for pre 2013 bikes (with YC110-07-01 2EA+YC110-07-02 2EA+YC110-1910 1EA)	Reservoir complet YCF 2013 (Adaptable pour motos avant 2013)	1	ALL BIKES2013-16 (BUT50A)
Air Filter					



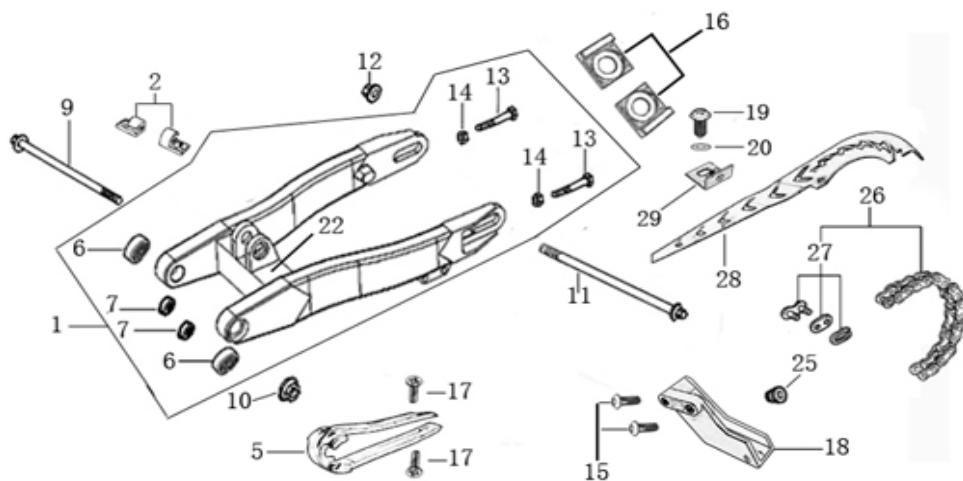
N	Ref.	Description	Français	Qty/ Bike	MODEL
1	YC110-0802-02-RD	Air filter assy 88cc Φ 35mm (with YC110-0805 1EA)	filtre air 88cc Φ 35mm Complet 2014	1	F88s14-16/F88se1516/P88s1415
2	YC110-0801-02-RD	Air filter 88cc Φ 35mm 2014	filtre seul 88cc Φ 35mm 2014	1	F88s14-16/F88se1516/P88s1415
3	YC110-0805	Holding ring ϕ 27- ϕ 51mm	collier Filtre ϕ 27- ϕ 51mm	1	ALL BIKES2012-2016 (BUT50A)

Foot Peg assy



N	Ref.	Description	Français	Qty/ Bike	MODEL
1	YC88-0901-01	Foot pegs bar START F88s GREY	barre repose pied Grise START F88s GRISE 2013	1	F88s13-16/F88se1516
2	YC110-0902-01	Right foot peg Steel START / PILOT 2013 GREY	Repose pied Acier droit START / PILOT 2013 GRIS	1	F88s13-16/F88se1516/F12513-16/F125s13-16/F125se1516/P88s13-15/P12513-16/P15013-16/SM13-16
3	YC110-0903-01	Left foot peg Steel START / PILOT 2013 GREY	Repose pied Acier gauche START / PILOT 2013 GRIS	1	F88s13-16/F88se1516/F12513-16/F125s13-16/F125se1516/P88s13-15/P12513-116/P15013-16/SM13-16
4	YC110-198	Kick stand 225mm	bequille 225mm	1	F88s12-16/F88se1516
5	YC110-204-02	YCF Engine skid plate Steel START F88se 2015 MATTE BLACK	Sabot moteur Acier YCF START F88se 2015 NOIR MAT	1	F88se1516/
6	YC110-09-01	Spring for right steel foot peg Φ 1.5 \times Φ 16.5 \times 10mm	ressort repose pied droit acier Φ 1.5 \times Φ 16.5 \times 10mm	1	ALL BIKES2013-2016(BUTSP1/SP2/SP3)

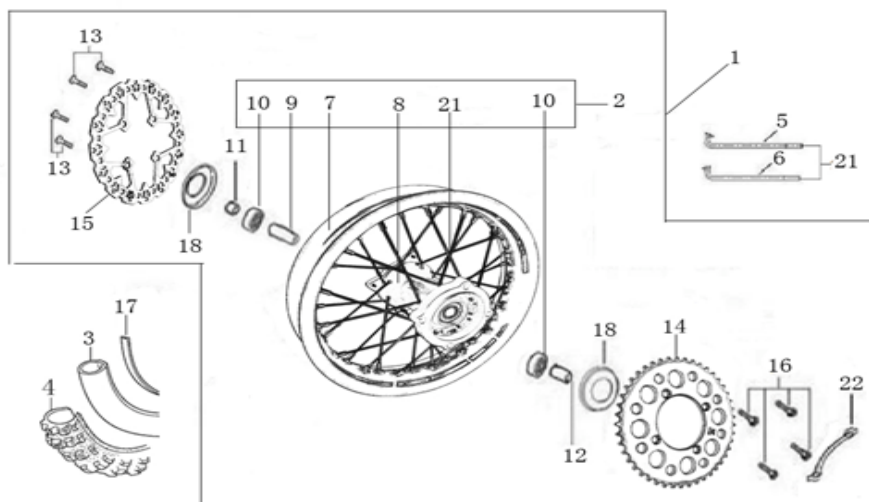
7	YC110-09-02	Spring for left steel foot peg Φ1.5×Φ16.5×10mm	ressort repose pied gauche acier Φ1.5×Φ16.5×10mm	1	ALL BIKES2013-2016(BUTSP1/SP2/SP3)
8	YC110-19-01	spring for kick stand Φ2.5×Φ15×105	ressort bequille Φ2.5×Φ15×105	1	ALL BIKES2014-16(BUTSP1/SP2/SP3)
9	119.1-085043	shaft pin for steel footpegs φ8×43	axe repose pied acier φ8×43	2	ALL BIKES2014-16(BUTSP1/SP2/SP3)
10	GB97-Φ8-W	flat washer φ8×16×1	rondelle φ8×16×1	2	ALL BIKES2011-16
11	GB91-Φ2×25-W	Cotter pin 2.0×25	goupille 2.0×25	2	ALL BIKES2013-16
12	GB5787-M8×25-W	screw M8X25	vis M8x25	4	F88s13-16/F88se1516
12	GB5787-M8×50-W	screw M8X50	vis M8x50	2	F88s13-16/F88se1516
14	GB93-Φ8-W	Foot pegs bar washer φ8	rondelle φ8	4	ALL BIKES2012-2016
15	GB97-Φ8-W	flat washer φ8×16×1	rondelle φ8×16×1	4	ALL BIKES2011-16
16	GB5787-M6×16-W	screw M6X16 for skid plate	vis sabot M6X16	2	ALL BIKES2012-2016
17	FB2-M10×35×1.5-G	Stepped screw M10X35 for kick stand	vis bequille M10X35	1	ALL BIKES2014-16(BUTSP1/SP2/SP3)
18	GB6170-M10-G	Hex. Nut M10	ecrou bequille M10	1	ALL BIKES2014-16(BUTSP1/SP2/SP3)
19	YC110-0902/10	Steel foot pegs set START / PILOT 2013 GREY	Jeu repose pied Acier START / PILOT 2013 GRIS	1	F88s13-16/F88se1516/F12513-16/F125s13-16/F125se1516/P88s13-15/P12513-16/P15013-16/SM13-16
24	GB93-Φ10-W	Standard spring washer φ10	rondelle φ10	1	ALL BIKES2014-16(BUTSP1/SP2/SP3)
Swing Arm assy					



N	Ref.	Description	Français	Qty/ Bike	MODEL
1	YC110-1001-07	swing arm mono Steel 350mm 2016	bras oscillant acier mono Acier 350mm 20016	1	F88s16/F88se16
2	YC110-10-014-BK	Rear brake clip for BLACK	attache durite frein arriere NOIR	1	ALL BIKES2012-15(BUTSP1/SP2/SP3)/ ALL BIKES2016 (BUTSP2/SP3)
5	YC110-10-023	YCF Chain slider for Steel swing arm 390mm	patin chaine court YCF pour bras Acier 390mm	1	F88s12-16/F88se1516/F12512-16/F125s12-16/F125se1516/P88s12-15/P1251314/P1501314/S M125s13-16/SM1501314
6	6200/28-12	Swing arm bearing $\varnothing 28 \times \varnothing 12 \times 8$ mm	roulement bras oscillant $\varnothing 28 \times \varnothing 12 \times 8$ mm	2	ALL BIKES2009-16
7	YC110-1001-013	Spacer for swing arm $\Phi 12 \times \Phi 20 \times 11.5$	entretoise $\Phi 12 \times \Phi 20 \times 11.5$	2	F88s12-16/F88se1516/F12512-16/F125s12-16/F125se1516/P88s12-15/P12513-16/P15013-16/SM12-16/SP116
9	YC110-10-034	Swing arm shaft with self lock nut M12 L=192mm	axe bras oscillant $\varnothing 10$ avec ecrou M12 L=192mm	1	F88s13-16/F88se1516/F12513-16/F125s13-16/F125se1516/SM125s13-16
10	GB6187-M12-W	Self locking nut M12	ecrou bras oscillant M12	1	ALL BIKES2012-2016(BUT50A)
11	YC110-11-074	Rear wheel axle L=215mm with Self locking nut M14	axe roue arriere avec ecrou L=215mm avec ecrou M14	1	F88s13-16/F88se1516/F12513-16/F125s13-16/F125se1516/P88s13-15/P12513-16/P15013-16/SP116
12	GB6187-M14-W	Self locking nut M14	ecrou axe roue arriere M14	1	ALL BIKES2012-16(BUT50A)
13	GB5783-M8x40-W	Exterior hex. Bolt M8X40	vis tendeur chaine M8x40	2	ALL BIKES2012-16 (BUT50A)
14	FB6170-M8-W	Hex. Nut M8	ecrou tendeur chaine M8	2	ALL BIKES2012-16(BUT50A)
15	GB70.2-M8x25-Cr	Stud screw M8X25	vis M8x25	2	5011/F88s12-16/F88se1516

15	GB6177-M8-W	Hex. Nut M8	ecrou tendeur chaine M8	2	5011/F88s12-16/F88se1516
16	YC110-11-08	Block axle SILVER	Tendeur chaine SILVER	2	F88s12-16/F88se1516/F12512-16/F125s12-16/F125se1516/F88s13-15/F12513-16/P15013-16/SM12-16/SP116
17	GB819-M6×16-W	Plus screw M6X16	vis m6x16	4	ALL BIKES2015-16(BUTSP2/SP3)
	GB6100-M6-CW	nut M6×25mm	Vis M6×25mm	4	ALL BIKES2015-16(BUTSP2/SP3)
18	YC88-1004	chain guide assy WHITE	guide chaine BLANC	1	5011/F88s12-1516/F88se1516
19	GB818-M6×12-W	Plus screw M6x12	vis M6x12	3	ALL BIKES2012-16(BUT50A)
20	GB97-Φ6	Flat washer φ6	rondelle φ6	3	ALL BIKES2012-16
26	420H-96T	Chain 420H-96T,normal	Chaîne 420 96 maillons standart	1	F88s16/F88se16
27	AR-420	Chain link	Attache rapide chaine	1	All BIKES
28	YC110-0600-03	Chain box protection F88s 2016	Protection chaine plastique F88s 2016	1	F88s16/F88se16
29	YC110-0600-02	Chain box protection support	Support Protection chaine plastique	1	ALL BIKES2012-2016(BUT50A)
29	YC110-0600-021	Chain box protection support	Support Protection chaine plastique	1	ALL BIKES2012-2016(BUT50A)

Rear Wheel Assy

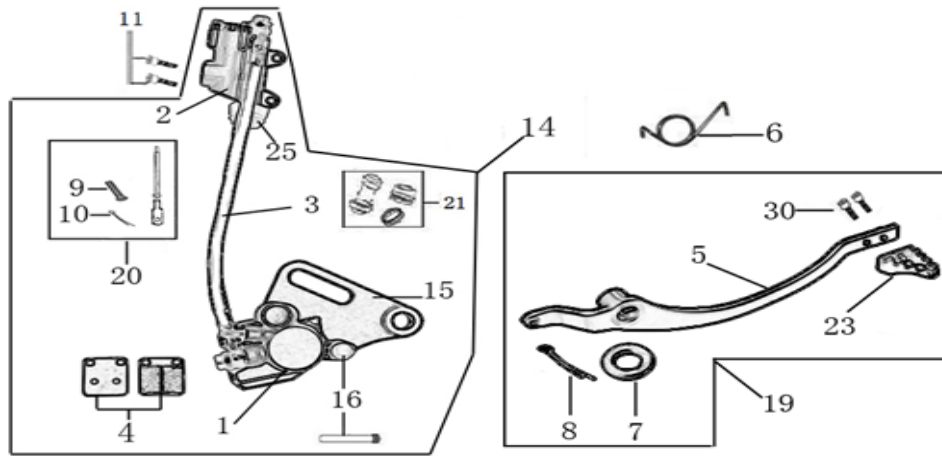


N	Ref.	Description	Français	Qty/ Bike	MODEL
1	YC110-1101-0A	Complete STEEL Rear wheel 1.40x10' with YCF disk. Casting hub	roue arriere complete ACIER 1.40x10' avec disque YCF moyeux injecte	1	F88s16/F88se16

2	YC110-1102-01	Complete STEEL Rear wheel 1.40x10' without disk. Casting hub	roue arriere complete ACIER 1.40x10' moyeux injecte sans disque	1	F88s12-16/F88se1516/P88s12-15
3	CHAMBRE10	Tube for Rear tire 3.00-10' GL	chambre air 10' standard GL	1	F88s14-16/F88se1516/P88s14-15
	FB6170-M8-Cr	Tire valve nut M8	Ecrou M8 pour Chanbre a air	1	ALL BIKES
4	300/10	YCF tyre 3.00/10'	pneu 3.00/10' YCF	1	F88s12-16/F88se1516/P88s12-15
7	YC50-1117-01	STEEL Rim 1.40x10'	cerceau roue 1,40x10 ACIER	1	50A12-16/F88s12-16/F88se1516/P88s12-15
8	YC110-1122-02	Rear wheel hub Casting with oil seal	moyeux arriere injectee avec joint spy	1	ALL BIKES2012-16 (BUT50A/SP)
10	96140-6202-2Z	Ball bearing 6202-2Z $\Phi 35 \times \Phi 15 \times 11$	roulement roue 6202-2Z $\Phi 35 \times \Phi 15 \times 11$	2	ALL BIKES2012-2015 (BUT50A) / ALL BIKES2016 (BUT50A/SP2/SP3)
11	YC110-11-041	Rear wheel spacer right $\Phi 15 \times \Phi 22 \times 29$ mm	entretoise roue arriere droite $\Phi 15 \times \Phi 22 \times 29$ mm	1	F88s12-16/F88se1516/F12512-16/F125s12-16/F125se1516/P88s12-15/P12513-16/P15013-16/SM12-16/SP116
12	YC110-11-052	Rear wheel spacer left $\Phi 15 \times \Phi 22 \times 38$ mm	entretoise roue arriere gauche $\Phi 15 \times \Phi 22 \times 38$ mm	1	F88s12-16/F88se1516/F12512-16/F125s12-16/F125se1516/P88s12-15/P12513-16/P15013-16/SM12-16/SP116
13	GB70.2-M8x16	Screw for disk M8X16	vis disque frein M8X16	4	ALL BIKES2016 (BUT50A)
14	YC110-11-06/41	YCF Driven sprocket 420-41T	couronne acier 41T YCF	1	50A12-15/F88s12-16/F88se16/P88s12-15
15	YC110-1115-01	Rear Brake disc $\phi 200$ mm 2016	Disque frein arriere $\phi 200$ mm 2016	1	F88s16/F88se16
16	GB5783-M8x25-W	Exterior Hex.Bolt M8X25	vis M8x25	4	F88s13-16/F88se1516/F12513-16/F125s13-16/F125se1516/P88s13-15/P12513-16/P15013-16/SM13-16
17	YC110-11-02	Tire lining for 10'	fond jante 10'	1	50A12-16/F88s12-16/F88se1516
18	YC110-0611	oil seal $\Phi 22 \times \Phi 35 \times 5$	joint spy roue $\Phi 22 \times \Phi 35 \times 5$	2	ALL BIKES2013-16(BUT50A)
21	JR10-10.5	set of spoke 10' (106mmx16+111mmx16)	jeu rayon arriere 10' (106mmx16+111mmx16)	1	50A12-16/F88s12-16/F88se1516/P88s13-15

22	YC110-11-03	Sprocket Locking piece	block couronne	2	ALL BIKES2013-16 (BUTSP1/SP2/SP3)
----	-------------	------------------------	----------------	---	-----------------------------------

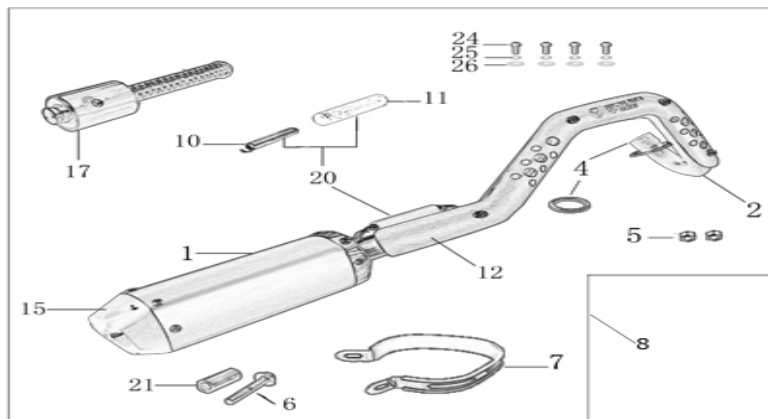
REAR BRAKE



N	Ref.	Description	Français	Qty/ Bike	MODEL
1	YC110-1201-04	Rear Caliper 1 pistons w/t abestos	étrier frein arrière 1 piston sans amiante	1	ALL BIKES2012-2015(BUT50A) / ALL BIKES2016(BUT50A/SP2/SP3)
2	YC110-1201021	Rear reservoir ϕ 8mm (with stick L=115mm)	maitre cylindre frein arrière avec embout durite ϕ 8mm	1	ALL BIKES2012-14(BUT50A)/F88s1516/F88se1516/F125s1516/F125se1516/F125s1516/SM125s1516
3	YC110-1201046	Oil steel tube L=360mm Φ 8/ Φ 10 BLACK	durite frein arrière L=360mm Φ 8/ Φ 10 NOIR	1	F88s16/F88se16
4	YC110-120104	Friction pad for 1 piston brake	plaquette frein arrière 1 piston	2	F88s12-16/F88se1516
5	YC110-1205-03	Steel brake pedal START F88s	pédale de frein START F88s	1	F88s12-16/F88se1516
6	YC110-21-01	Spring for Steel brake pedal' Φ 3 \times Φ 32 \times 7mm	ressort pour pédale de frein Acier Φ 3 \times Φ 32 \times 7mm	1	ALL BIKES2013-14(BUT50A)/ALL BIKES2015-2016(BUT50A/SP1/SP2/SP3)
7	FB20-15 \times 25 \times 2-W	Flat washer Φ 14.5 \times Φ 25 \times 2	rondelle Φ 14.5 \times Φ 25 \times 2	1	F88s13-16/F88se1516/F12513-16/F125s13-16/F125se1516/SM125s13-16
8	GB91- Φ 2.5 \times 30-W	Slipt Pin Φ 2.5 \times 30mm	goupille Φ 2.5 \times 30mm	1	F88s13-16/F88se1516/F12513-16/F125s13-16/F125se1516/SM125s13-16
9	119.1-07016	Pin shaft 7 \times 16mm	axe 7 \times 16mm	1	ALL BIKES2012-16 (BUT50A)
10	GB91- Φ 1.6 \times 16-W	Split pin 1.6 \times 16mm	goupille 1.6 \times 16mm	1	ALL BIKES2012-16 (BUT50A)
11	GB70-M6 \times 20	Hex. Bolt M6 \times 20	vis M6 \times 20	2	ALL BIKES2013-16(BUT50A)
14	YC110-12013-03	Rear brake aasy 1 piston L=360mm 2016	Kit frein arrière 1 piston avec gaine plastic L=360mm 2016	1	F88s16/F88se16

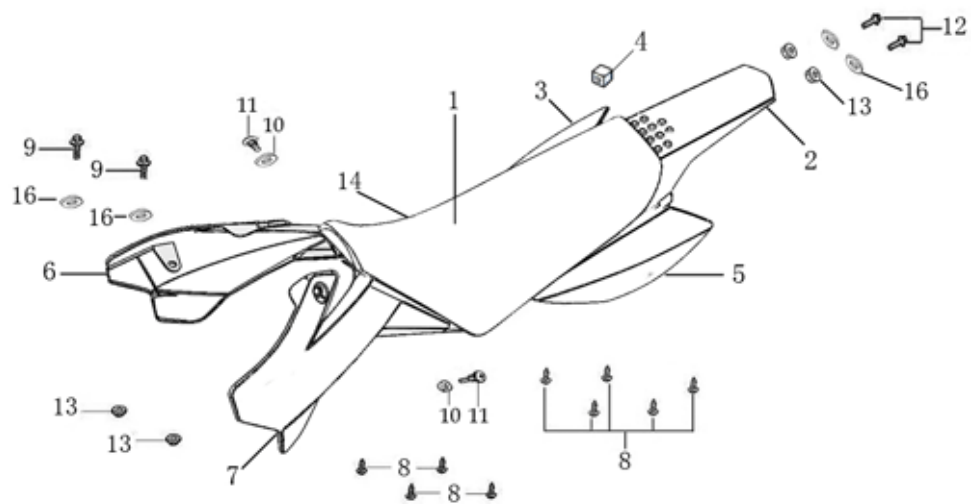
15	YC110-1201-01	Rear brake bracket T=5MM	patte fixation étrier frein arriere T=5MM	1	ALL BIKES2012-15(BUT50A)/ALL BIKES2016(BU150A/SP2/SP3)
16	YC110-1255	Rear Brake pads Screw L=38mm	Vis plaquette AR L=38mm	2	ALL BIKES2012-15(BUT50A)/ALL BIKES2016(BU150A/SP2/SP3)
19	YC110-213	Steel Brake pedal	pédale de frein Acier	1	5011/F88s12-16/F88se1516
20	YC110-12021	Rear reservoir push stick L=115mm	Tige poussoir maitre cylindre L=115mm	1	F88s13-16/F88se1516/F12513-16/F125s13-16/F125se1516/SM125s13-16
21	YC110-120110	rubber for rear caliper	jeu de caoutgouc d'etrier frein arriere	1	ALL BIKES2012-2015 (BUT50A) /F88s16/F88se16/F12516/F125s16/F125se16/SM125s16
23	YC110-21-10	Steel brake pedal end cap	embout pédale de frein Acier	1	F88s12-16/F88se1516/F12512-16/F125s12-16/F125se1516/P88s12-15/P12513-16/P15013-16/SM12-16
25	YC110-12025	Rubber for REAR RESERVOIR PUSH STICK	Caoutchouc tige maitre cylindre frein arrier	1	ALL BIKES2012-2015 (BUT50A) /F88s16/F88se16/F12516/F125s16/F125se16/SM125s16
30	GB70-M6x16-Cr	Hex. Bolt M6x16	vis M6x16	2	F88s13-16/F88se1516/F12513-16/F125s13-16/F125se1516/F88s13-15/P12513-16/P15013-16/SM13-16

Exhaust system



N	Ref.	Description	Français	Qty/ Bike	MODEL
1	YC110-13016-GY	YCF Muffler 94db START L=295mm (1 springs) 2015 GREY	silencieux YCF 94db 2015 GRISE	1	F88s1516/F88se1516/F1251516/F125s1516/F125se1516/P88s15/P1251516/P1501516/SM1516
2	YC110-13022-02	Exhaust pipe with protection plate Φ 28 mm START 2013	collecteur avec plaque Φ 28 mm START 2013	1	F88s13-16/F88se1516/F12513-16/F125s13-16/F125se1516/SM125s13-16
4	18291/152FMH	Exhaust pipe washer ϕ 32 \times ϕ 25.5 \times 4	joint pot ϕ 32 \times ϕ 25.5 \times 4	1	ALL BIKES2012-2016 (BUT50A)
5	GB6170-M6-W	Hex flanged self locking nut M6	écrou M6	2	ALL BIKES

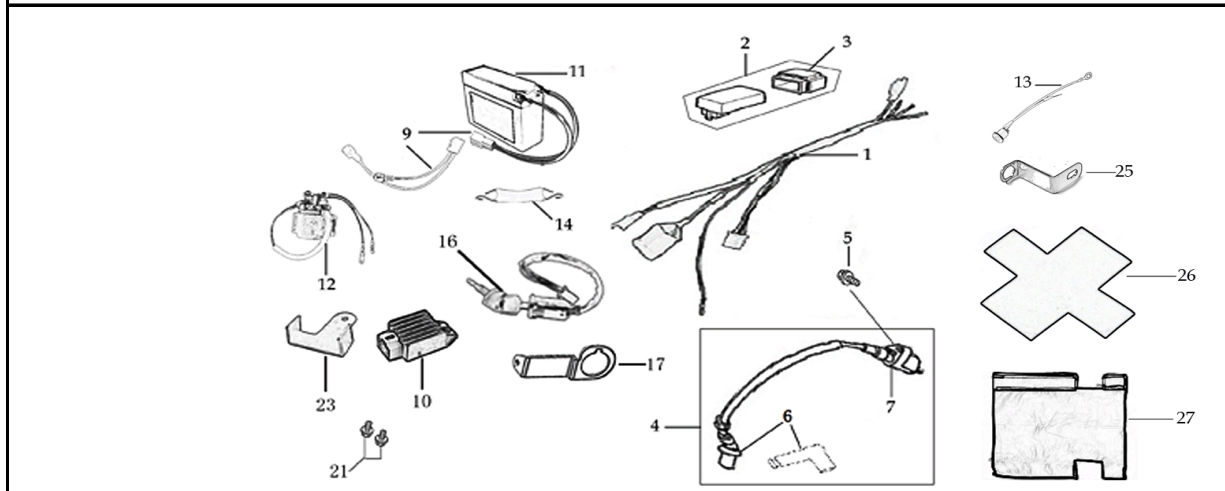
6	GB5787-M8×40-W	Hex. Bolt with flanged M8x40	vis M8x40	1	F88s13-16/F88se1516/F12513-16/F125s13-16/F125se1516/SM125s13-16/SP113-16/SP213-16/SP313-16
7	YC110-13-04	Hoop for muffler YCF START 2011(with FB13-Φ10×Φ14×23-W 1EA+GB5787-M8×40-W 1EA)	Attache silencieux YCF START 2011	1	5011/F88s12-16/F88se1516/F12512-16/F125s12-16/F125se1516/P88s12-15/P12513-16/P15012-16/SP112-16/SM12-16
8	YC110-136-GY	START Muffler& Exhaust pipe assy YCF 94db (1 spring)	Echappement complet YCF 94db START (1 ressort)	1	F88s1516/F88se1516/F1251516/F125s1516/F125se1516/SM125s1516
10	YC110-13-201	muffler spring Φ6.5×Φ9×50mm	ressort pot Φ6,5×Φ9×50mm	1	ALL BIKES2012-14(BUT50A)/ALL BIKES2015-16 (BUT50A/SP)
11	YC110-138	rubber for muffler spring	caoutchouc ressort pot	1	ALL BIKES2012-16(BUT50A)
12	YC110-1312	Protection for exaust pipe START SM125s	Grille pot START SM125s	1	F88s13-16/F88se1516/F12513-16/F125s13-16/F125se1516/SM125s13-16
15	YC110-13-32	Muffler end cap YCF	Emout silencieux YCF	1	5011/F88s12-16/F88se1516/F12512-16/F125s12-16/F125se1516/P88s12-15/P12513-16/P15013-16/SM12-16/SP113-16
17	YC110-13-301	Noise reducer (spark arrestor) YCF START	Bride de pot YCF START	1	F88s12-16/F88se1516/F12512-16/F125s12-16/F125se1516/P88s12-15/P12513-16/P15013-16/SM12-16/SP112-16
20	YC110-13-21	muffler spring with rubber	ressort pot avec le caoutchouc	1	ALL BIKES2012-14(BUT50A)/ALL BIKES2015-16 (BUT50A/SP)
21	FB13-10×14×23-W	Muffler Hoop spacer φ10×φ14×23mm	Entretoise attache silencieux φ10×φ14×23mm	1	F88s13-16/F88se1516/F12513-16/F125s13-16/F125se1516/SM125s13-16
24	GB70.2-M6×10-Cr	Plus screw M6×10	vis M6×10	4	ALL BIKES2013-16
25	GB93-Φ6-W	Standard spring washer φ6	rondelle φ6	4	ALL BIKES2013-16
26	GB97-Φ6-W	flat washer φ6	rondelle φ6	4	ALL BIKES2012-16
Seat & Plastic kit					



N	Ref.	Description	Français	Qty/ Bike	MODEL
1	YC110-1401-10	YCF Seat assy L=480mm 2016	selle CRF 50 2016	1	F88s16/F88se16/F12516/ F125s16/F125se16/SM125s16
2	YC110-14-012WH	YCF Rear fender 2013 WHITE	Garde boue arrière YCF 2013 avec Picots BLANC	1	ALL BIKES2015(BUT150A)/F88s16/F88se16/F12516/F125s16/F125se16/SM125s16
3	YC110-14-022WH	YCF right side plastic WHITE	Plaque latérale droite YCF BLANC	1	F88s12-16/F88se1516/F12512-16/F125s12-16/F125se1516/P88s15/P1251516/P1501516/SP112-16/SP212-16/SP312-16/SM125s1516
4	YC110-14-03	Cushion for right side plastic	caoutchouc plaque laterale droite	1	ALL BIKES
5	YC110-14-042WH	YCF left side plastic WHITE	Plaque laterale gauche YCF BLANC	1	F88s12-16/F88se1516/F12512-16/F125s12-16/F125se1516/P88s15/P1251516/P1501516/SP112-16/SP212-16/SP312-16/SM125s1516
6	YC110-14-052BK	YCF Right shroud BLACK	Ouie radiateur droite YCF NOIRE	1	ALL BIKES2015-16(BUT150A/50E)
7	YC110-14-062BK	YCF Left side shroud BLACK	Ouie radiateur gauche YCF NOIRE	1	ALL BIKES2015-16(BUT150A/50E)
8	GB845-ST4.8x16-G	Screw for plastic kit ST4.8x16	vis plastique ST4.8x16	9	ALL BIKES2012-16
9	GB5787-M6x20-W	hex. Bolt with flanged M6x20	vis M6x20	2	ALL BIKES
10	YC110-02-13	Rubber washer $\Phi 6 \times \Phi 14 \times 3$ mm	joint caoutchouc $\Phi 6 \times \Phi 14 \times 3$ mm	2	ALL BIKES2012-16
11	FB5787-M5x12-W	hex. Bolt with flanged M5x12	vis M5x12	2	ALL BIKES2012-16
11	GB96- $\Phi 5$ -W	flat washer $\Phi 5 \times \Phi 12$	rondelle $\Phi 5 \times \Phi 12$	2	ALL BIKES2015-16
12	GB5787-M6x20-B	hex. Bolt with flanged M6x20 BLACK	vis M6x20 NOIR	2	ALL BIKES2012-16

13	GB6177-M6-W	Hex. Flanged nut M6	écrou M6	2	ALL BIKES2013-15(BUT50A)/ALL BIKES2016(BUT50A/SP)
14	YC110-14024	START seat cover 2016	Housse selle START 2016	1	F88s16/F88se16/F12516/F125s16/F125se16/SM125s16
16	YC110-03-01	Rubber washer $\Phi 6 \times \Phi 18 \times 4$ mm	joint caoutchouc $\Phi 6 \times \Phi 18 \times 4$ mm	4	ALL BIKES
16	GB96- $\Phi 6$	flat washer $\phi 6$	rondelle $\phi 6$	4	ALL BIKES2012-16

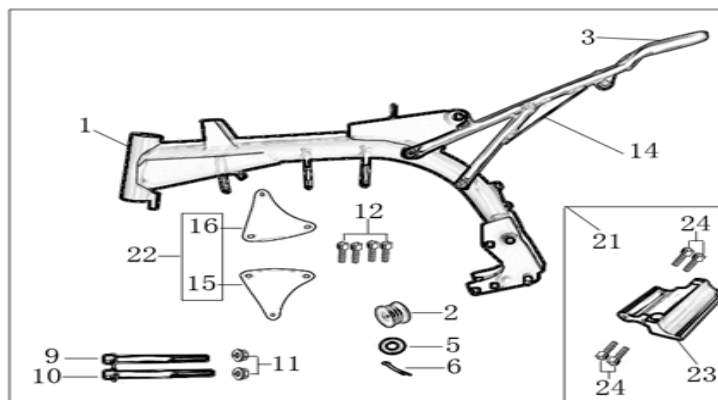
ELECTRIC



N	Ref.	Description	Français	Qty/ Bike	MODEL
1	YC110-1501-06	Wire harness F88se/F125se Electric start engine	FAISCEAUX ELECTRIQUE F88se/F125se	1	F88se1516/F215se1516
2	YC88-1503	CDI Ignitor assy.88cc	CDI 88cc	1	5011/F88s12-16/F88se1516/P88s12-15
3	YC110-1501-03	Ignitor rubber	caoutchouc cdi	1	ALL BIKES2012-16 (BUT50A/SP3)
4	YC110-1504-05	Ignitor coil L=160mm	bobine haute tension L=160mm	1	F88s13-16/F88se1516
5	GB5787-M6x20	Hex. Bolt with flanged M6x20	vis M6x20	1	ALL BIKES2013-16(BUT50A/SP3)
6	YC110-1505	anti interference red	anti parasite rouge	1	ALL BIKES2012-2016 (BUT50A/SP3)
7	YC110-1504	Ignitor coil	bobine haute tension	1	ALL BIKES2012-2016 (BUT50A/SP3)
9	YC110-1517-01	Battery cable F88se/F125se Anode+Cathode	Cable pour Chargeur Batterie F88se/F125se	1	F88se1516/F125se1516
10	YC110-1502-01	rectifier for ENGINE 150-2	Rectificateur 150-2	1	F88se1516/F125se1516
11	YC110-1507-02	Battery 12V/3A 125CC 2015	Batterie 12V/3A 125CC 2015	1	F88se1516/F125se1516

12	YC50-1510	relay 50CC	Relais démarreur 50CC	1	50A12-16/F88se1516/F125se1516
13	YC110-1513-01	Charger connexion F88se/F125se	Connection chargeur F88se/F125se	1	F88se16/F125se16
14	YC110-1508-01	Hustle rubber F88se/F125se 2016	Maintien complet Batterie F88se/F125se 2016	1	F88se16/F125se16
16	YC50-0021	Key contactor	Contacteur a cle	1	50A12-16/F88se1516/F125se1516
21	GB5787-M6×10-W	Hex. Bolt M6x10	vis M6x10	2	50A12-16/F88se1516/F125se1516
23	YC110-1539	Bracket for relay	Support Relay	1	F88se1516/F125se1516
25	YC110-1545-01	STEEL SUPPORT Charger connexion 88SE	Support prise chargeur 125CC	1	F88se16/F125se16
26	YC110-1523-01	Battery protection F88se/F125se 117×75×87mm	Protection Batterie F88se/F125se 117×75×87mm	1	F88se1516/F125se1516
27	YC110-1543-01	Protection Electric Cable Nylon	Protection des câbles électriques	1	F88se1516/F125se1516

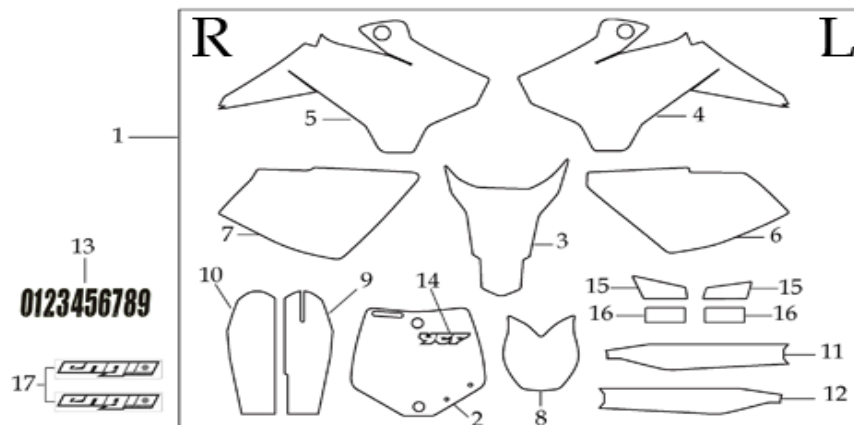
Frame



N	Ref.	Description	Français	Qty/ Bike	MODEL
1	YC88-172-04-WH	START F88se 2016 SHORTER Frame mono swing arm WHITE	Cadre chromolly START F88se COURT 2016 bras mono BLANC	1	F88se16
2	YC110-2201	YCF Chain tensioner component	roulette chaine YCF	1	ALL BIKES2011-2016 (BUT50A)
3	YC110-0700-11	Tail cover sponge	Mousse Boucle arriere	1	ALL BIKES2014-16(BUT50A/SP3)
5	GB97-Φ10-W	Flat washer φ10x17x2	rondelle φ10x17x2	1	ALL BIKES2014-16 (BUT50A)
6	GB91-Φ2×25-W	cotter pin φ2.0×25	goupille φ2.0×25	1	ALL BIKES2013-16

9	GB5787-M8×110-W	Hex. Bolt with flanger face M8X110	vis m8x110	1	F88s13-16/F88se1516/F12513-16/F125s13-16/F125se1516/F88s13-15/P12513-16/P1513-16/P15013-16/SM13-16
9	GB5787-M8×100-W	Hex. Bolt with flanger M8x100	vis M8x100	1	F88s13-16/F88se1516/F88s13-15/P12513-16/P15013-16/SM15013-16
10	GB6187-M8-W	Self locking nut M8	ecrou M8	2	ALL BIKES
12	GB70-M8×20	Hex. Bolt M8X20	vis M8x20	4	F88s13-16/F88se1516/F12513-16/F125s13-16/F125se1516/SP113-16/SP213-16/SP313-16/SM125s13-16
14	YC88-16-021-BK	Rear frame part Chromolly BLACK	Boucle arriere Chromolly NOIRE	1	F88se1516
15	YC88-16-031-BK	frame engine pads left START F88se BLACK	patte de cadre gauche START F88se NOIRE	1	F88se1516
16	YC88-16-040-BK	frame engine pads right START F88s BLACK	patte de cadre droite START F88s NOIRE	1	F88s13-16/F88se1516
21	YC88-161-03-WH	complète frame mono swing arm START F88se WHITE 2016	cadre complet bras mono START F88se BLANC 2016	1	F88se16
23	YC88-172-01	Cradle Aluminum alloy	plaque renfort aluminium 88	1	F88s12-16/F88se1516
	GB70.2-M8×25	screw M8x25	vis M8x25	4	F88s1516/F88se1516

GRAPHICS



N	Ref.	Description	Français	Qty/ Bike	MODEL
1	KD88SE2016	F88se Electric start complete graphic kit 2016	Kit deco complet F88se 2016	1	F88se16
2	YC110-33-010	START F88s/F88se Front plate graphic 2016	Sticker Plaque avant START F88s/F88se 2016	1	F88s16/F88se16

3	YC110-33-020	START Rear mudguard graphic 2016	Sticker GB Arriere START 2016	1	F88s16/F88se16/F12516/F125s16/F125se16
4	YC110-33-031	START F88se Left shrouder graphic 2016	Sticker Ouie gauche radiateur START F88se 2016	1	F88se16
5	YC110-33-041	START F88se Right shrouder graphic 2016	Sticker Ouie droite radiateur START F88se 2016	1	F88se16
6	YC110-33-051	START F88se Left side plate graphic 2016	Sticker Plaque laterales gauche START F88se 2016	1	F88se16
7	YC110-33-061	START F88se Right side plate graphic 2016	Sticker Plaque laterales droite START F88se 2016	1	F88se16
8	YC110-33-071	START F88se front fender Front fender graphic 2016	Sticker GB Avant START F88se 2016	1	F88se16
9	YC110-33-081	START F88se Front left shock protection graphic 2016	Sticker Protection gauche fourche START F88se 2016	1	F88se16
10	YC110-33-091	START F88se Front right shock protection graphic 2016	Sticker Protection droit fourche START F88se 2016	1	F88se16
	YC110-1909	Sticker FACTORY Shock Absorber	Autocollant FACTORY Amortisseur	1	ALL BIKES2013-16 (BUT50A/SP3)
	YC110-1910	GAS TANK STICKER	STICKER RESERVOIR	1	ALL BIKES2013-16(BUT50A)
	YC110-1901	Sticker Chain	Autocollant Chaine	1	ALL BIKES2013-16
	YC110-1902	Sticker Tire	Autocollant Pression Pneu	1	ALL BIKES2013-16
	YC110-1903	Sticker Warning OIL Level	Autocollant Attention Niveau Huile	1	ALL BIKES2013-16
	YC110-1904	Sticker Rear Mudguard 70×57mm	Autocollant garde boue arriere 70×57mm	1	ALL BIKES2013-16
	YC110-1905	Sticker CE	Autocollant CE	1	ALL BIKES2013-16
	YC110-1906	Warning sticker	Sticker Attention	1	ALL BIKES2013-16
	YC110-1907	Warning Sticker Transport	Sticker Caisse Avertissement Transport	1	ALL BIKES2013-16
	YC110-1908	Warning Sticker Shosk Absorber	Sticker Avertissement Amortisseur	1	ALL BIKES2013-16

ENGINES				
MOTEUR88ELE-02	ENGINE 88 electric starter Bottom (with RCSC-BK 1EA)	moteur complet 88	1	F88se1516/
17311/152FMIZL-57	Inlet Pipe,Pro 88PILOT	PIPE ADMISSION 88PILOT	1	F88s13-16/F88se1516/P88s13-15
17322/152FMH	carburettor paper gasket Φ28	joint papier carburateur Φ28	1	ALL BIKES2015-16 (BUT50A/SP3190)
17332/152FMH01	Intake Gasket	JT PAPIER PIPE ADMISSION	1	ALL BIKES2015-16 (BUT50A/SP3190)
F00C039	carburettor isolating gasket Φ27.5	joint plastique carburateur Φ27.5	1	ALL BIKES2015-16 (BUT50A/SP3190)
RCSC-BK	Right crankcase small Cover 88/125 BLACK	DEMI CARTER EMBRAYAGE NOIR 88/125	1	F88s14-16/F88se1516/F12514-16/F125s14-16/F125se1516/P88s1415/F12514-16/SM125s14-16
43451/152FMH	STARTER KICK SMALL HOLE	KICK PETIT DIAMETRE	1	F88s13-16/F88se1516/F12513-16/F125s13-16/F125se1516/SM125s1316
24700/152FMH	Gearshift Pedal	SELECTEUR	1	F88se1516/F12513-16/F125se1516/P12513-16/P15013-16/SM15013-16/SP113-16/SP213-16/SP313-16
CARBU				
YC110-486B	Carburetor 88/88P 2012 with main jet 85 and slow jet 15	Carburateur 88/88P 2012 GICLEUR 85 GICLEUR 15	1	F88s13-16/F88se1516/P88s13-15
GICLEUR20	slow jet 20	GICLEUR 20	1	F88s13-16/F88se1516/P88s13-15
CARTONS - CAISSES MOTOS				
YC110-CARTON-02	BIKE BOX F88se	CARTON EMBALLAGE MOTO F88se	1	F88se1516/
YC110-FOAMBOX	Foam box 2014 420×340×160mm	Cale PS	1	ALL BKIES2014-16
YC110-FILM	Protective film for seat 600×600×0.02mm	Protection plastique pour Selle	1	ALL BKIES2014-16
CATALOGUES - FICHES MOTOS - FICHES STICKER				

	YC110-0700-01	Accessory tools	Trousse a outils	1	ALL BIKES
	YC110-0700-0201	Owner manual 2015	Manuel Utilisation 2015	1	ALL BIKES2013-16
	YC110-0700-0401	Vin Plate 2015	Plaque Vin 2015	1	ALL BIKES2013-16
	YC110-0700-03	A4 sheet assy	Fiche A4	1	ALL BIKES

2016





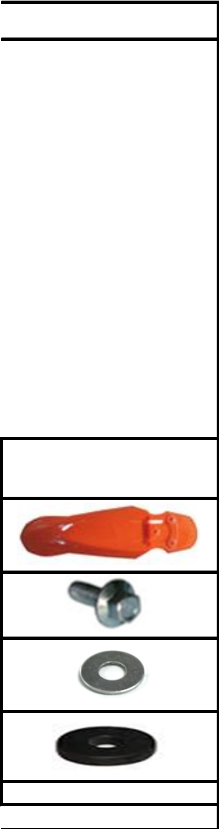










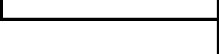







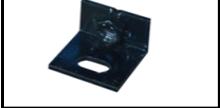
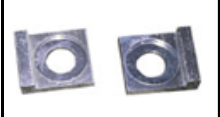


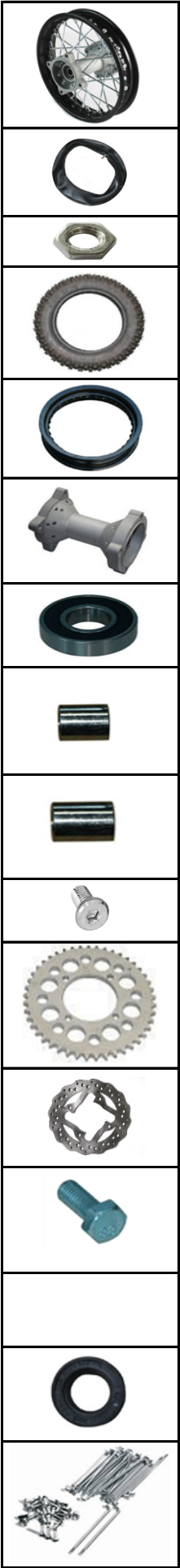
































NAME / BRAND: **VCF** 100% POLYMER MATERIALS
MODEL / TYPE: 100% POLYMER MATERIALS
SERIAL NUMBER: 100% POLYMER MATERIALS
MFG. YEAR: 100% POLYMER MATERIALS **CE**

