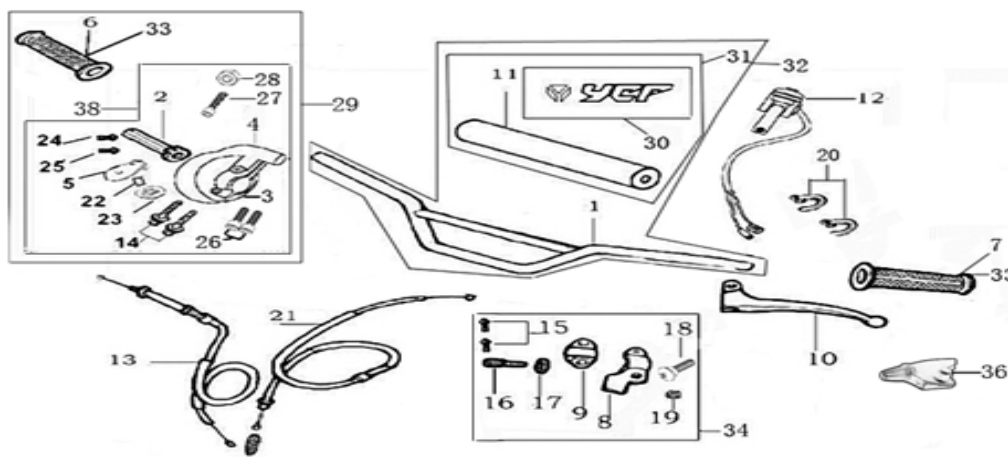




Handle bar assembly

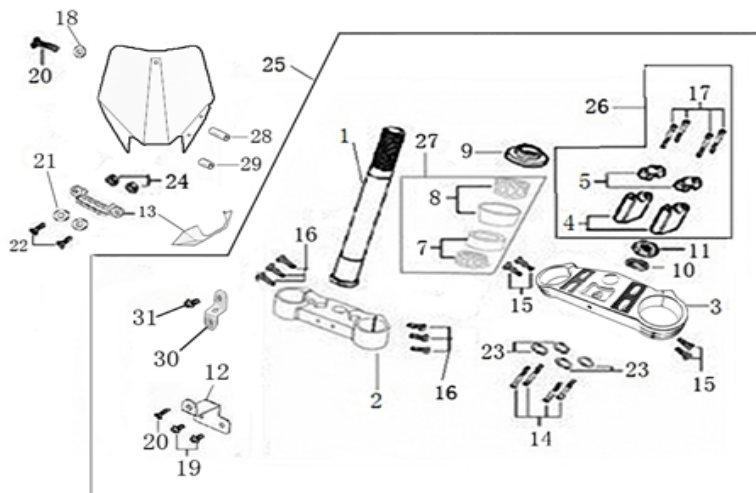


N°	Ref.	Description	Français	Qty/ Bike	MODEL
1	YC110-0101-07-BK	Aluminium Handle Bar with bar "LOW" shape L=740mm BLACK	Guidon aluminium avec Barre "BAS" L=740mm NOIR	1	SM15012-16/SP112-16/SP212-16 /SP312-15
2	YC110-01021-01	YCF Throttle Body 2012 BLACK	plastique poignée de gaz YCF 2012 NOIR	1	ALL BIKES 2012-2016
3	YC110-01021-05	Lower Throttle Body Housing 2014	dessous poignée gaz 2014	1	P15014-16/SM15014-16/SP114-16/SP214-16/SP314-16
4	YC110-01021-03	Upper Throttle Body Housing YCF 2012	dessus poignée gaz YCF 2012	1	ALL BIKES 2012-2016
5	YC110-01021-02	Upper Throttle Body Housing Cover YCF 2012	plastique du dessus poignée gaz YCF 2012	1	ALL BIKES 2012-2016
6	YC110-01-01-GY	YCF Right Grip GREY	poignée caoutchouc droite YCF GRISE	1	ALL BIKES2012-2016
7	YC110-01-02-GY	YCF Left Grip GREY	poignée caoutchouc gauche YCF GRISE	1	ALL BIKES2012-2016
8	YC110-0108-05	Clutch upper bracket 2014 SILVER	cocotte basse embrayage 2014 SILVER	1	F12514-16/P12514-16/P15014-16/SM15014-16/SP114-16/SP214-16/SP314-16
9	YC110-0109-05	Clutch lower bracket 2014 SILVER	demi cocotte embrayage 2014 SILVER	1	F12514-16/P12514-16/P15014-16/SM15014-16/SP114-16/SP214-16/SP314-16

	FB13-8×10×8-Cu	Clutch lever bushing $\Phi 8 \times \Phi 10 \times 8.1$ mm copper	entretoise levier embrayage $\Phi 8 \times \Phi 10 \times 8.1$ mm	1	F12514-16/P12514-16/P15014-16/SM15014-16/SP114-16/SP214-16/SP314-16
10	YC110-0103-03	Clutch lever 2014 (with FB13- $\Phi 8 \times \Phi 10 \times 6$ -Cu 1EA+FB13- $\Phi 8 \times \Phi 10 \times 8$ -Cu 1EA)	levier embrayage 2014	1	RS12/RSP12/SM15012/C12/CP12/F12513-16/P12513-16/P15013-16/SM15013-16/SP113-16/SP213-16/SP314-16
11	YC110-0116	Bar pad for Aluminium Handlebar with Bar L=195mm	Mousse guidon pour guidon alu avec barre L=195mm	1	SM15013-16/SP113-16/SP213-16/SP313-16
12	YC110-0105-01	Kill Switch ON/OFF L=580mm	Coupe circuit on off L=580mm	1	ALL BIKES2012-16 (BUT50A/SP111)
13	YC110-0106	Throttle Cable L=840mm A+B=125	Cable gaz L=840mm A+B=125	1	ALL BIKES2012-2016(BUT50/F88s/F88se)
14	GB5787-M6×22-G	Hex. Bolt with Flanged Face M6X22	vis M6X22	2	ALL BIKES2012-16(BUT50A)
15	GB5787-M6×20-G	Hex. Bolt with Flanged Face M6X20	vis M6X20	2	F12512-16/P12514-16/P15014-16/SM15012-16/SP112-16/SP212-16/SP312-16
16	YC110-0103-04	Clutch Adjust bolt M7×18mm	Tendeur cocotte embrayage M7×18mm	1	F12512-16/P12513-16/P15013-16/SM15013-16/SP113-16/SP213-16/SP313-16
17	YC110-0117	Clutch Tight Nut M7	ecrou cocotte embrayage M7	1	F12512-16/P12513-16/P15013-16/SM15013-16/SP113-16/SP213-16/SP313-16
18	27-06022B	Clutch Stepped bolt M6X22	vis cloche embrayage M6X22	1	F12512-16/P12513-16/P15013-16/SM15013-16/SP113-16/SP213-16/SP313-16
19	6183-06000B	Clutch Self-lock Nut M6	ecrou cloche embrayage M6	1	F12512-16/P12513-16/P15013-16/SM15013-16/SP113-16/SP213-16/SP313-16
20	YC110-01-03-BK	Tape 150mm BLACK	colier maintien cable 150mm NOIR	2	ALL BIKES
20	YC110-01-03-WH	Tape 150mm WHITE	colier maintien cable 150mm BLANC	2	ALL BIKES
20	YC110-01-05-BK	Tape 350mm BLACK	colier maintien cable 350mm NOIR	5	ALL BIKES
21	YC110-0108	Clutch Cable Assy. L=900mm A+B=65mm	cable embrayage L=900mm A+B=65mm	1	C1112/SM15011-16/SP114-16
22	YC110-0102-08	YCF Throttle cable Bearing $\Phi 8 \times \Phi 16 \times 5$ mm	Roulement poignee gas YCF $\Phi 8 \times \Phi 16 \times 5$ mm	1	ALL BIKES2012-2016
23	YC110-0102-07	YCF Throttle cable guide pulley plastic $\Phi 12 \times \Phi 16 \times \Phi 28 \times 8$ mm	Roulette plastique Poignee Gas YCF $\Phi 12 \times \Phi 16 \times \Phi 28 \times 8$ mm	1	ALL BIKES2012-2016
24	GB819-M4×12	Plus screw M4×12	vis M4×12	1	ALL BIKES2012-2016
25	GB819-M4×20	Plus screw M4×20	vis M4×20	1	ALL BIKES2012-2016
26	GB70-M6×20-B	Hex. Bolt M6x20 BLACK	vis M6x20 NOIR	2	ALL BIKES2012-2016

27	GB70-M5×12	Hex. Bolt M5×12	vis M5×12	1	ALL BIKES2012-2016(BUT50A)
30	YC110-012024-BK	PVC for Bar Pad suitable Aluminium Handlebar with Bar 185mm×178mm 2013 BLACK	PVC mousse guidon Aluminium avec Barre 185mm×178mm 2013 NOIR	1	SP113-16/ SP213-16 / SP313-15 / SM15013-16
31	YC110-0133-BK	Complete Bar Pad for Aluminium Handlebar with Bar L=195mm 2013 BLACK	Mousse guidon complete pour guidon Aluminium avec Barre L=195mm 2013 NOIR	1	SP113-16/ SP213-16 / SP313-15 / SM15013-16
32	GALOWBK	Complete Aluminium Handle Bar, "LOW" shape Black L=740mm SPI / SPII / SPIII / SM150 2013	Guidon aluminium "BAS" complet avec Mousse et Pvc L=740mm SPI / SPII / SPIII / SM150 2013	1	SP113-16/ SP213-16 / SP313-15 / SM15013-16
33	PPC010-GY	YCF set of grip GREY	Paire de poignée caoutchouc YCF GRISE	1	ALL BIKES2012-2016
34	YC110-0126-01	Clutch bracket Assy. 2014 SILVER	Cocotte embrayage complete 2014 SILVER	1	F12514-16/P12514-16/P15014-16/SM15014-16/SP114-16/SP214-16/SP314-16
35	YC110-0134-02	Cnc adjustable bracket with lever 2014 SILVER	Cocotte CNC réglage rapide avec levier embrayage 2014 SILVER	1	F12514-16/P12514-16/P15014-16/SM15014-16/SP114-16/SP214-16/SP314-16
36	YC110-0103-10	rubber on clutch lever	caoutchouc levier embrayage	1	F12514-16/P12514-16/P15014-16/SM15014-16/SP114-16/SP214-16/SP314-16
38	YC110-01022-N	YCF Throttle Assy. 2014 without grip (with YC110-0102-08 1EA)	Poignee gaz réglable YCF 2014 nue	1	P15014-16/SM15014-16/SP114-16/SP214-16/SP314-16

#### Steering stem assembly

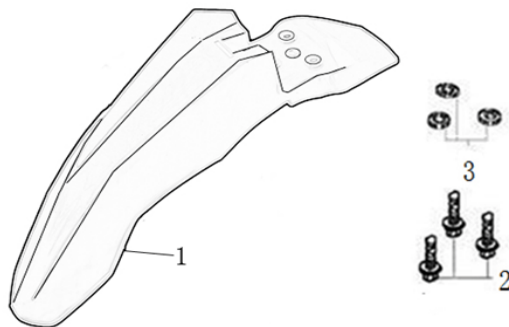


N	Ref.	Description	Français	Qty/ Bike	MODEL
1	YC110-0201-03	Steering stem 233 mm	tige colonne direction 233 mm	1	ALL BIKES2012-16(BUT50A/F88s/F88se)

2	YC110-0202-39-BK	Lower triple clamp 160 mm $\phi$ 48mm 2014 MATT BLACK	té fourche inferieur 160 mm $\phi$ 48mm NOIR MAT	1	F88s14-16/F88se1516/F12514-16/F125s14-16/F125se1516/SM125s1416/SM1501516/SP114-16
3	YC110-0201-39-BK	Top Triple Clamp160mm $\phi$ 45mm 2014 (not adjustable)MATT BLACK	té fourche supérieur 160 mm $\phi$ 45mm (non ajustable) 2014 NOIR MAT	1	F88s14-16/F88se1516/F12514-16/F125s14-16/F125se1516/SM125s1416/SM1501516/SP114-16
4	YC110-0203-23	Lower Bar Mount CNC START type, not adjustable $\phi$ 22.2 / height 55 mm BLACK	Pontet guidon inférieur non ajustable type START $\phi$ 22.2 / hauteur 55 mm NOIR	2	ALL BIKES2012-2016(BUT50A/SP1/SP2/SP3)
5	YC110-0202-04	Top Bar Mout CNC $\Phi$ 22.2 mm/height 18mm START Type BLACK	pontet guidon supérieur $\Phi$ 22.2 mm Type START NOIR	2	ALL BIKES2013-15/ALL BIKES2016(BUTSP3)
6	YC110-0212-07RD	Front Number Plate 2014 RED	PLAQUE AVANT 2014 ROUGE	1	SM14/F125s1516/SP1115015/SM15016/SP319016
7	297-46/23.5	Lower Taper roller bearing 46/23.5	roulement inférieur 46/23.5	1	ALL BIKES2012-16(BUT50A/F88s/F88se)
8	297-46/22	Top Taper roller bearing 46/22	roulement supérieur 46/22	1	ALL BIKES2012-16(BUT50A/F88s/F88se)
9	YC110-02-09	Top nut for steering $\phi$ 52	écrou crantellé colonne direction $\phi$ 52	1	ALL BIKES2012-2016
10	YC110-02-10	Washer for steering stem nut $\Phi$ 22.5 $\times$ $\Phi$ 36 $\times$ 0.7	joint colonne direction $\Phi$ 22.5 $\times$ $\Phi$ 36 $\times$ 0.7	3	ALL BIKES2012-2016
11	YC110-02-11	Nut for steering stem M22	écrou supérieur colnne direction M22	1	ALL BIKES2012-2016
13	YC110-0214-01-WH	Break Line Retainer 2014 White (with GB9074.5-M4 $\times$ 10-W 1EA )	guide durite sur plaque avant 2014 Blanc	1	ALL BIKES2014-2016(BUT50A/F88s/F88se/F88s)
14	GB70-M8 $\times$ 30	Stud screw M8X30	vis M8X30	4	ALL BIKES2012-16 (BUT50A)
15	GB70-M6 $\times$ 25	Stud screw M6X25	vis M6X25	4	ALL BIKES2012-16 (BUT50A)
16	GB70-M6 $\times$ 25	Stud screw M6X25	vis M6X25	4	F88s13-16/F88se1516/F12513-16/F125s13-16/F125se1516/F88s13-15/P12513-16/P15013-16/SM13-16/SP113-16
17	GB70-M8 $\times$ 25	Stud screw M8X25	vis M8X25	4	ALL BIKES2012-16 (BUT50A)
18	GB97- $\Phi$ 6-W	flat washer $\phi$ 6	rondelle $\phi$ 6	1	ALL BIKES2012-16
19	GB5787-M6 $\times$ 16-W	Hex. Bolt with Flanged Face M6X16	vis M6X16	2	ALL BIKES2012-2016
21	GB97- $\Phi$ 4-W	flat washer $\phi$ 4	rondelle $\phi$ 4	1	ALL BIKES2012-16

22	GB818-M4×10-W	Plus screw M4×10	vis M4×10	1	ALL BIKES2012-16
23	GB93-Φ8-W	Spring washer Φ8mm	rondelle Φ8mm	4	ALL BIKES2012-2016
25	YC110-02-041-BK	Complete Triple Clamp (TOP45 / BOTTOM 48) START Type 2014 MATT BLACK	Te Fourche Complet (TE SUP. 45 / TE INF.48 Type START 2014 NOIR MAT	1	F12514-16/F125s14-16/F125se1516/SM125s14-16/SM1501516
26	YC110-0203-05	Set of Bar mount not adjustable φ22.2mm/bottom 55mm START Type BLACK (with GB70-M8×25 4EA+GB70-M8×30 4EA+GB93-Φ8-W 4EA)	jeu pontet guidon non ajustable φ 22.2mm / pontet bas 55mm Type START NOIR	1	ALL BIKES2012-2016(BUT50A/SP1/SP2/SP3)
27	KRDIRECTION46	set of bearing for steering 46/23.5、 46/22	kit rlt colonne direction 46/23.5、 46/22	1	ALL BIKES2012-16(BUT50CC/F88s/F88se)
30	YC110-0213-08	Number plate bracket 2014	support plaque avant 2014	1	ALL BIKES2014-2016(BUT50A/F88s/F88se /F88s)
31	GB5787-M6×16-W	Hex. Bolt M6X16	vis M6×16	1	ALL BIKES2012-2016
32	YC110-02-20	Washer for steering stem nut	joint colonne direction	1	ALL BIKES2015-2016 (But50A/F88s/F88se)

#### Front Fender



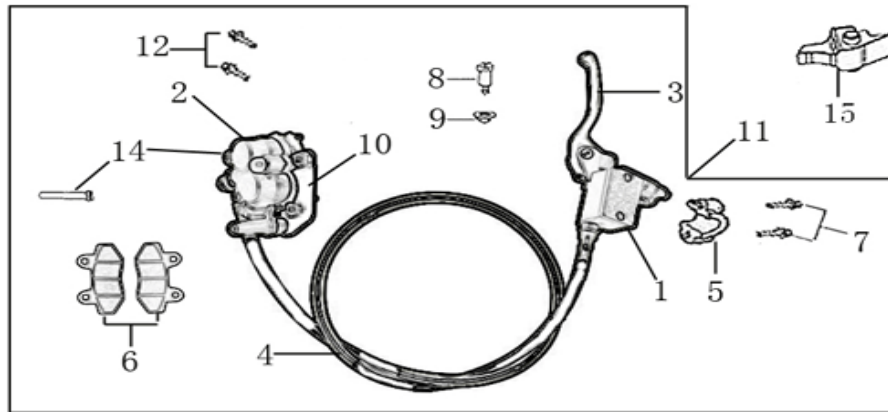
N	Ref.	Description	Français	Qty/ Bike	MODEL
1	YC110-032-01RD	YCF Front Fender 2014 RED	GARDE BOUE AVANT 2014 ROUGE	1	F125s1516/SP315015/SM15016/SP319016
2	GB5787-M6×20-W	Hex. Bolt with flanged M6X20	vis M6X20	3	ALL BIKES
	GB96-Φ6-W	Washer φ6×φ18mm	Rondelle φ6×φ18mm	3	ALL BIKES
3	YC110-03-01	Rubber washer Φ6×Φ18×4mm	caoutchouc Φ6×Φ18×4mm	3	ALL BIKES

#### Front & Rear absorber



18	PFYCF12-BK	YCF set of fork protection 735mm 2012 black	jeu protection fourche YCF noir	1	P12516/P15016/SM15016/SPI16/SP216/SP316
19	YC110-0403-05	oil steel line retainer on left front fork 2016	passe durite sur protection fourche gauche 2016	1	P12516/P15016/SP116/SP216/SP316/SM15016
24	YC110-0400-20	Pair of fork 735mm (not adjustable) GREY 2016	Jeu de fourche 735mm GRIS 2016	1	P12516/P15016/SM15016

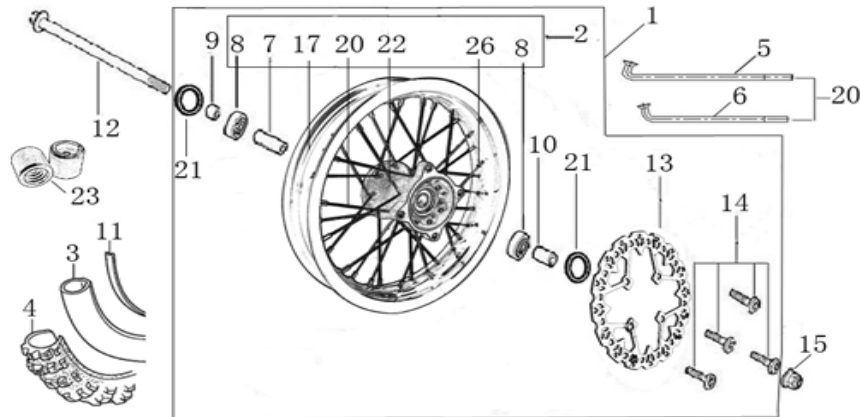
**Front Brake Assy**



N	Ref.	Description	Français	Qty/ Bike	MODEL
1	YC110-0501-0104	Front Brake Reservoir for 2 pump $\Phi$ 10 2016	maitre cylindre frein avant pour étrier 2 pistons $\Phi$ 10 2016	1	P12516/P15016/SP116/SP216/SP316/SM15016
2	YC110-0501-0205	Front Brake caliper for 2 pump w/ t abestos	étrier frein avant double pistons sans amiante	1	ALL BIKES2012-15 (BUT50A/F88s/F88se) /F12516/F125s16/F125se16/P12516/P15016/SP116/SM16
3	YC110-0501-014	Front brake lever 2014 With notch	LEVIER FREIN 2014	1	ALL BIKES2014-15(BUT50A)/ALL BIKES2016(BUT50A/SP2/SP3)
4	YC110-0501-0313	Front brake steel line L=1110mm $\Phi$ 10/ $\Phi$ 10 BLACK 2016	durite frein avant L=1110mm $\Phi$ 10/ $\Phi$ 10 NOIR 2016	1	P12516/P15016/SM15016/SP116/SP216
5	YC110-0501-022	Brake perch bracket for double pump	demi cocotte frein avant pour frein double pistons	1	ALL BIKES2012-16(BUT50A)
6	YC110-0501-0403	Front Brake pads for double pump brake with copper substrate	jeu plaquette frein avant pour frein 2 pistons SANS AMIANTE	2	ALL BIKES2012-15 (BUT50A/F88s/F88se) /F12516/F125s16/F125se16/P12516/P15016/SP116/SM16
7	GB5787-M6x22-G	Hex.bolt with flanged M6X22	vis M6X22	2	ALL BIKES2012-16(BUT50A)
8	HB06-M6x25-G	Hex.bolt with flanged M6X25	vis M6X25	1	ALL BIKES2012-16(BUT50A)
9	GB6177-M6-G	Self-locking nut M6	écrou M6	1	ALL BIKES2012-16(BUT50A)
10	YC110-0501-030	Bracket for front brake 2 pumps	patte frein avant etrier 2 pistons	1	ALL BIKES2012-15 (BUT50A/F88s/F88se) /F12516/F125s16/F125se16/P12516/P15016/SP116/SM16

11	YC110-0501-19	front brake assy 2 pumps L=1110mm Φ10/10 w/t abestos 2016	kit frein avant 2 pistons avec gaine plastic noire L=1110mm Φ10/10 sans amiante 2016	1	P12516/P15016/SM15 016/SP16
14	YC110-0555	caliper screw for front brake L=50mm Army green	vis plaquette frein avant L=50mm	2	ALL BIKES2012- 15 (BUT50A/F88s/F88se ) /F12516/F125s16/F125s e16/P12516/P15016/SP11 6/SM16
15	YC110-0502-01	rubber for brake lever	caoutchouc levier frein avant	1	ALL BIKES2014- 15(BUT50A) /ALL BIKES2016(BUT50A/SP2/ SP3)

#### Front Wheel Assy



N	Ref.	Description	Français	Qty/ Bike	MODEL
1	YC110-0601-27	Complete STEEL Front wheel 1.85x12' with disk. Casting hub	roue avant complète ACIER 1.85x12' moyeux injecte avec disque	1	SM16
2	YC110-0602-21	Complete STEEL Front wheel 1.85x12' without disk. Casting hub	roue avant complète ACIER 1.85x12' moyeux injecte sans disque	1	SM12-16
3	CHAMBRE12	Tube for front tire 3.00-12 GL	chambre air 12' standard GL	1	SM12-16
	FB6170-M8-Cr	Tire valve nut M8	Ecrou M8 pour Chambre a air	1	ALL BIKES
4	100/90-12	YCF Front tyre 100/90/12	YCF pneu 100/90/12	1	SM1516
7	YC110-0601-02	Front axle bushing Φ16×Φ22×44	entretoise central roue avant Φ16×Φ22×44	1	ALL BIKES2013- 15(BUT50A)/ALL BIKES2016(BUT50A/SP2/ SP3)
8	96140-6202-2Z	Ball bearing 6202-2Z Φ35×Φ15×11	roulement roue 6202-2Z Φ35×Φ15×11	2	ALL BIKES2012- 2015 (BUT50A) /ALL BIKES2016 (BUT50A/SP 2/SP3)
9	YC110-06-047	Front wheel spacer right φ15×Φ22×23mm with STEP 2015	entretoise roue avant droite φ15×Φ22×23mm	1	ALL BIKES2015(BUT50A)/AL L BIKES2016 (BUT50A/SP 2/SP3)

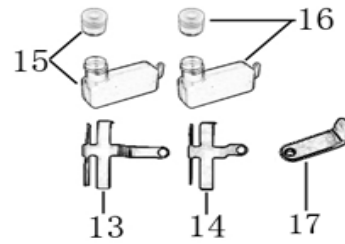
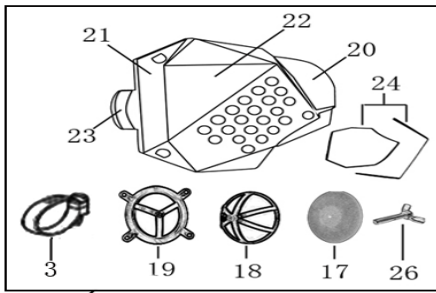


10	YC110-06-052	Front wheel spacer left $\phi 15 \times \Phi 22 \times 33 \text{mm}$	entretoise roue avant gauche $\phi 15 \times \Phi 22 \times 33 \text{mm}$	1	ALL BIKES2012-2015 (BUT50A)/ALL BIKES2016(BUT50A/SP2/SP3)
11	YC110-11-01	tire lining 12"	fond jante 12'	1	F88s12-15/SM12-16
12	YC110-06-062	Front Axle L=215 mm with holes with Self-locking nut M14 for SM bikes	axe de roue avant L=215mm perces avec ecrou M14 pour supermoto	1	SM13-16
13	YC110-0513-02	Front disk $\phi 220 \text{ mm}$ 2016	disque frein avant $\phi 220 \text{ mm}$ 2016	1	ALL BIKES 2016(BUT50A/F88s/F88se)
14	GB70.2-M8x16	Screw for disk M8X16	vis disque frein M8X16	4	ALL BIKES2016 (BUT50A)
15	GB6187-M14-W	Self-locking nut M14	écrou roue avant M14	1	ALL BIKES2012-16(BUT50A)
17	YC110-0617-21	STEEL Rim for Front wheel 1.85x12	cerceau roue av1.85x12' ACIER	1	SM12-16
20	JR12-12.5	set of front spoke 12' (120mmx16+122mmx16)	Jeu rayon avant 12' (120mmx16+122mmx16)	1	SM12-16
21	YC110-0611	OIL SEAL $\phi 22 \times 35 \times 5$	joint spy roue $\phi 22 \times 35 \times 5$	2	ALL BIKES2013-16(BUT50A)
22	YC110-0622-02	Front hub casting with oil seal	moyeux avant injectée avec joint spy	1	ALL BIKES2012-15 (BUT50A/SPII/SPIII)/ALL BIKES 2016(BUT50A/SP)
23	YC110-30	Teflon SM	Tampon teflon pour axe avant / arriere SM	2	SM10-16
	GB5787-M6x25-W	Hex. Bolt with Flanged M6X25	vis M6x25	2	SM10-16

#### Fuel Tank

N	Ref.	Description	Français	Qty/ Bike	MODEL

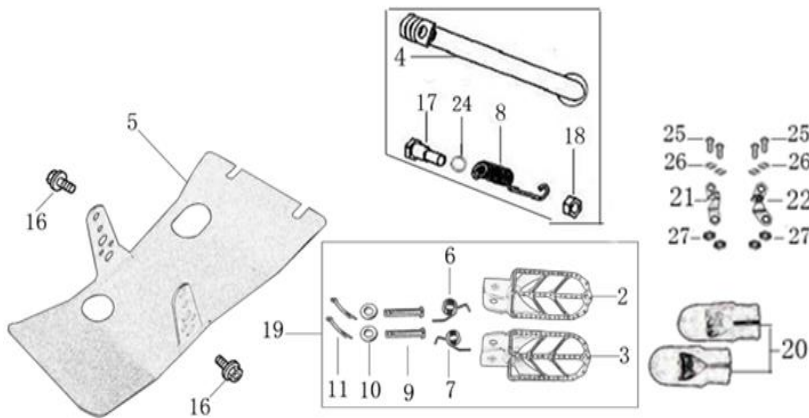
1	YC110-0701-01	YCF Fuel tank with YC110-1910 1EA (suitable for pre 2013 bikes)	Reservoir YCF (Adaptable pour motos avant 2013)	1	ALL BIKES2013-16 (BUT50A)
2	YC110-07-01	Cushion for fuel tank	caoutchouc pour reservoir	2	ALL BIKES2011-16
3	YC110-07-02	Washer for fuel tank $\Phi 12 \times \Phi 30 \times 11 \text{mm}$	entretoise pour reservoir $\Phi 12 \times \Phi 30 \times 11 \text{mm}$	2	ALL BIKES2011-16
4	YC110-0702-01	YCF Tank cap plastic 2013	Bouchon reservoir plastique YCF 2013	1	ALL BIKES2013-16
5	YC125-0704-BK	Fuel tank valve BLACK	Valve prise air NOIR	1	ALL BIKES
6	YC110-0704-BK	Cap of Fuel tank valve BLACK	Capuchon Valve prise air NOIR	1	ALL BIKES
7	YC110-0705-BK	Fuel tank valve Hose L=40mm BLACK	Durite caoutchouc Vale prise air L=40mm NOIRE	1	ALL BIKES
8	YC110-0703	Fuel cock assy.	robinet essence	1	ALL BIKES
9	GB5787-M6×16-W	Hex. Bolt with flanged M6X16	vis M6X16	2	ALL BIKES2012-2016
10	GB5787-M8×30-B	screw M8X30 BLACK	vis M8x30 NOIR	2	P88s13-15/P12513-16/P15013-16/SM15013-16/SP113-16/SP213-16/SP313-16
11	YC110-0706	fuel tank rubber line + spring $\Phi 4.5 \times \Phi 8.5 \times 210 \text{mm}$	durite reservoir avec ressort $\Phi 4.5 \times \Phi 8.5 \times 210 \text{mm}$	1	ALL BIKES
12	YC110-07061	fuel tank lspring L=180mm	ressort durite reservoir L=180mm	1	ALL BIKES
13	YC110-07062	fuel tank rubber line $\Phi 4.5 \times \Phi 8.5 \times 210$	durite reservoir $\Phi 4.5 \times \Phi 8.5 \times 210$	1	ALL BIKES
14	YC110-07063	Holding ring	collier FILTRE	2	ALL BIKES
15	YC110-0720-02	Rubber mat for tank cap plastic $\Phi 14 \times \Phi 52 \times 2 \text{mm}$ Oil proof	Caoutchouc bouchon reservoir YCF $\Phi 14 \times \Phi 52 \times 2 \text{mm}$	1	ALL BIKES2013-16
17	YC110-0717	O-RING, $\Phi 11 \times 3 \text{mm}$ For Fuel tank	Joint Thorique $\Phi 11 \times 3 \text{mm}$ pour Reservoir	1	ALL BIKES2013-16 (BUT50A)
18	YC110-0718	YCF Complete fuel tank suitable for pre 2013 bikes (with YC110-07-01 2EA+YC110-07-02 2EA+YC110-1910 1EA)	Reservoir complet YCF 2013 (Adaptable pour motos avant 2013)	1	ALL BIKES2013-16 (BUT50A)
<b>Air Filter</b>					



N	Ref.	Description	Français	Qty/ Bike	MODEL
1	YC110-0801-07	Air box assy Pilot 2015	Boite a air complete Pilot 2015	1	P12516/P15016/SM15016
3	YC110-0805	Holding ring $\varnothing 27-\varnothing 51\text{mm}$	collier Filtre $\varnothing 27-\varnothing 51\text{mm}$	1	ALL BIKES2012-2016 (BUT50A)
17	YC110-08-011	YCF Air filter Foam	Mousse filtre a air YCF	1	P12516/P15016/SP112-16/SP212-16/SP312-16/SM15016
18	YC110-08-012	Top support for YCF air filter foam	support exterieur pour mousse filtre a air YCF	1	P1251516/P1501516/SM1501516/SP112-16/SP212-16/SP312-16
19	YC110-08-013	Inside support for YCF air filter foam	support interieur pour mousse filtre a air YCF	1	P1251516/P1501516/SM1501516/SP112-16/SP212-16/SP312-16
20	YC110-0820-02	Rear part of Pilot 2015 air box	Boitie arriere boite a air Pilot 2015	1	P12516/P15016/SM15016
21	YC110-0821-02	Front case of Pilot 2015 air box	Boitie avant boite a air Pilot 2015	1	P12516/P15016/SM15016
22	YC110-0822-02	Cover with logo of Pilot 2015 air box	Couvercle cote boite a air YCF avec logo Pilot 2015	1	P12516/P15016/SM15016
23	YC110-08-0174	Rubber link between air box and carb for PILOT 2016 air box $\Phi 40\text{mm}$	manchon boite a air PILOT 2016 $\varnothing 40\text{ mm}$	1	P12516/P15016/SM15016
25	YC110-0825-01	support of Air box PILOT 2015	Support Boit a Air Pilot	1	P12516/P15016/SM15016
26	GB62-M6x30-W	Butterfly screw M6x30	vis M6x30	1	P12516/P15016/SP113-16/SP213-16/SP313-16/SM15016
13	YC110-83	The carburetor YouHu stents	PATTE DE RECUPERATEUR ESSENCE	1	SM12-16
14	YC110-84	The engine YouHu stents	PATTE DE RECUPERATEUR HUILE	1	SM12-16
14	YC110-86	The engine YouHu stents	PATTE DE RECUPERATEUR HUILE	1	SM15014-16

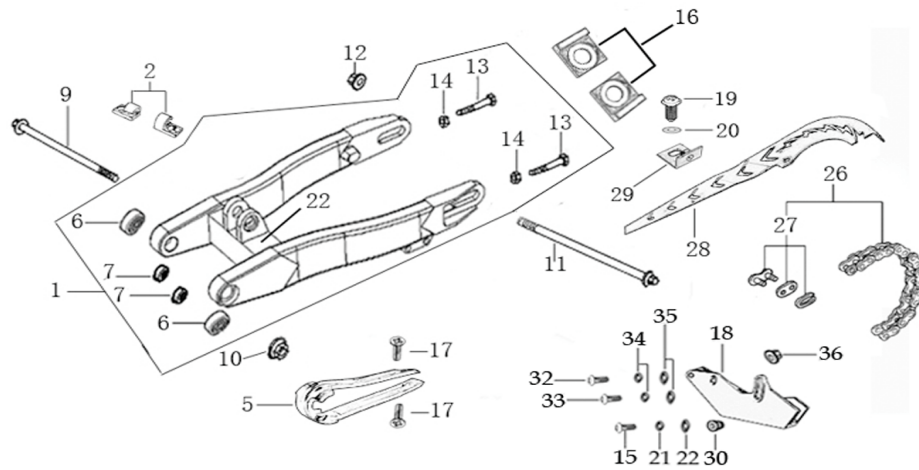
	GB5787-M6×12-W	Plus screw M6X12	vis M6X12	1	SM15014-16
	GB6177-M6-W	Hex. Flanged nut M6	écrou M6	1	SM15014-16
15	YC110-80	Gas tank	Bac Recuperateur essence	1	SM12-16
16	YC110-81	Oil tank	Bac Recuperateur Huile	1	SM12-16
	YC110-8001	Caps Oil tank	Bouchon Bac Recuperateur essence / huile	2	SM12-16
	YC110-8002	Oil tank	Bac Recuperateur essence / huile	2	SM12-16

#### Foot Peg assy



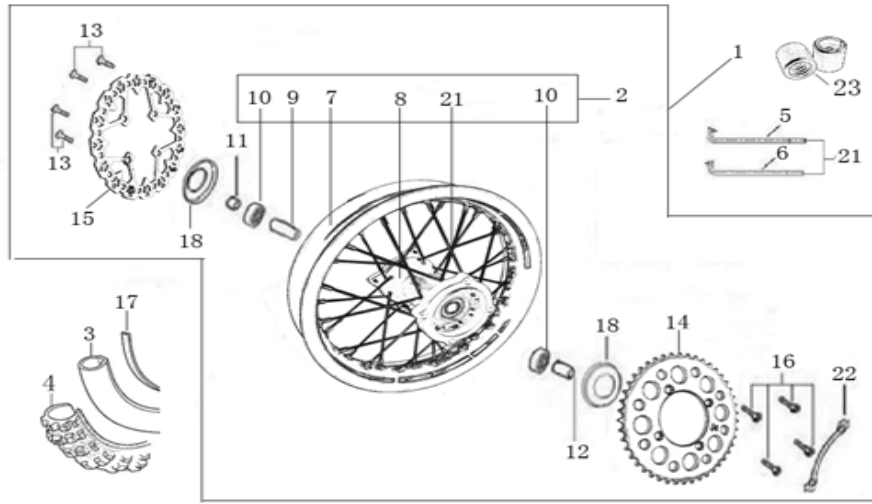
N	Ref.	Description	Français	Qty/ Bike	MODEL
2	YC110-0902-01	Right foot peg Steel START / PILOT 2013 GREY	Repose pied Acier droit START / PILOT 2013 GRIS	1	F88s13-16/F88se1516/F12513-16/F125s13-16/F125se1516/F88s13-15/P12513-16/P15013-16/SM13-16
3	YC110-0903-01	Left foot peg Steel START / PILOT 2013 GREY	Repose pied Acier gauche START / PILOT 2013 GRIS	1	F88s13-16/F88se1516/F12513-16/F125s13-16/F125se1516/F88s13-15/P12513-16/P15013-16/SM13-16
4	YC110-196	Kick stand 280mm	bequille 280mm	1	F12513-16/F125s13-16/F125se1516/P88s13-15/P12513-16/P15013-16/SM13-16
5	YC110-202-01	YCF Engine skid plate Steel START125 / PILOT /SM150 MATTE BLACK	Sabot moteur Acier YCF START125 / PILOT /SM150 NOIR MAT	1	F12513-16 / P12513-16/P15013-16/ SM15013-16
6	YC110-09-01	Spring for right steel foot peg Φ1.5×Φ16.5×10mm	ressort repose pied droit acier Φ1.5×Φ16.5×10mm	1	ALL BIKES2013-2016(BUTSP1/SP2/SP3)

7	YC110-09-02	Spring for left steel foot peg Φ1.5×Φ16.5×10mm	ressort repose pied gauche acier Φ1.5×Φ16.5×10mm	1	ALL BIKES2013-2016(BUTSP1/SP2/SP3)
8	YC110-19-01	spring for kick stand Φ2.5×Φ15×105	ressort bequille Φ2.5×Φ15×105	1	ALL BIKES2014-16(BUTSP1/SP2/SP3)
9	119.1-085043	shaft pin for steel footpegs φ8×43	axe repose pied acier φ8×43	2	ALL BIKES2014-16(BUTSP1/SP2/SP3)
10	GB97-Φ8-W	flat washer φ8×16×1	rondelle φ8×16×1	2	ALL BIKES2011-16
11	GB91-Φ2×25-W	Cotter pin 2.0×25	goupille 2.0×25	2	ALL BIKES2013-16
16	GB5787-M6×16-W	screw M6X16 for skid plate	vis sabot M6X16	2	ALL BIKES2012-2016
17	FB2-M10×35×1.5-G	Stepped screw M10X35 for kick stand	vis bequille M10X35	1	ALL BIKES2014-16(BUTSP1/SP2/SP3)
18	GB6170-M10-G	Hex. Nut M10	ecrou bequille M10	1	ALL BIKES2014-16(BUTSP1/SP2/SP3)
19	YC110-0902/09	Steel foot pegs set 2013	jeu repose pied Acier 2013	1	SM13-16
20	YC110-32	Pedal sheath around	TAMPON TEFLON REPOSE PIED	2	SM12-16
21	YC110-36	outer support of Pedal	PATTE AVANT DE REPOSE PIED	2	SM12-16
22	YC110-37	inside stents of Pedal	PATTE ARRIERE DE REPOSE PIED	2	SM12-16
24	GB93-Φ10-W	Standard spring washer φ10	rondelle φ10	1	ALL BIKES2014-16(BUTSP1/SP2/SP3)
25	GB818-M4×16-W	Plus screw M4X16	vis M4X16	8	SM12-16
26	GB97-Φ5-W	flat washer φ5	rondelle φ5	8	SM12-16
27	GB6170-M4-W	Nut M4	ecrou M4	8	SM12-16
<b>Swing Arm assy</b>					



N	Ref.	Description	Français	Qty/ Bike	MODEL
1	YC110-1001-05	swing arm mono Steel 420mm 2015	bras oscillant acier mono Acier 420mm 2015	1	P1251516/P1501516/ SM1501516
6	6200/28-12	Swing arm bearing $\phi 28 \times \phi 12 \times 8 \text{mm}$	roulement bras oscillant $\phi 28 \times \phi 12 \times 8 \text{mm}$	2	ALL BIKES2009-16
7	YC110-1001-013	Spacer for swing arm $\Phi 12 \times \Phi 20 \times 11.5$	entretoise $\Phi 12 \times \Phi 20 \times 11.5$	2	F88s12-16/ F88se1516/F12512-16/ F125s12-16/F125se1516/ P88s12-15/P12513-16/ P15013-16/SM12-16/SP116
13	GB5783-M8x40-W	Exterior hex. Bolt M8X40	vis tendeur chaine M8x40	2	ALL BIKES2012-16 (BUT50A)
14	FB6170-M8-W	Hex. Nut M8	ecrou tendeur chaine M8	2	ALL BIKES2012-16 (BUT50A)
16	YC110-11-08	Block axle SILVER	Tendeur chaine SILVER	2	F88s12-16/ F88se1516/F12512-16/ F125s12-16/F125se1516/ P88s13-15/P12513-16/ P15013-16/SM12-16/SP116
5	YC110-10-025	Chain slider YCF Aluminium swing arm 420mm PU	patin chaine YCF long pour Bras oscillent Aluminium YCF 420mm PU	1	P1251516/P1501516/SP112-16/ SP212-16/SP312-16/ SM1501516
2	YC110-10-014-BK	Rear brake clip for BLACK	attache durite frein arriere NOIR	1	ALL BIKES2012-15 (BUTSP1/SP2/SP3)/ ALL BIKES2016 (BUTSP2/SP3)
17	GB819-M6x16-W	Plus screw M6X16	vis m6x16	5	ALL BIKES2015-16 (BUTSP2/SP3)
9	YC110-10-035	Swing arm shaft with self lock nut M12 L=240mm	axe bras oscillant $\phi 10$ avec ecrou M12 L=240mm	1	P88s13-15/P12513-16/ P15013-16/SM15013-16
10	GB6187-M12-W	Self locking nut M12	ecrou bras oscillant M12	1	ALL BIKES2012-2016 (BUT50A)
24	FB13-20x13x120	Central spacer steel swing arm PILOT 2013	Entretoise centrale de bras oscillent acier PILOT 2013	1	P88s13-15/P12513-16/ P15013-16/SM15013-16

11	YC110-11-076	Rear wheel axle L=215mm with holes and Self locking nut M14 for supermoto	axe roue arriere supermoto percee avec ecrou L=215mm avec ecrou M14	1	SM16
12	GB6187-M14-W	Self locking nut M14	ecrou axe roue arriere M14	1	ALL BIKES2012-16(BUT50A)
18	YC110-1004	YCF chain guide assy for High class range BLACK	guide chaine YCF pour haut de gamme NOIR	1	P1251516/P1501516/SP112-16/SP212-16/SP312-16/SM1501516
15	GB70.2-M5×16	Plus screw M5X16	vis M5X16	1	P1251516/P1501516/SP112-16/SP212-16/SP312-16/SM1501516
21	GB93-Φ5-W	Standard spring washer φ5	rondelle φ5	1	P1251516/P1501516/SP112-16/SP212-16/SP312-16/SM1501516
22	GB97-Φ5-W	Flat washer φ5	rondelle φ5	1	P1251516/P1501516/SP112-16/SP212-16/SP312-16/SM1501516
30	GB6100-M6-CW	nut M6×25mm	Vis M6×25mm	5	ALL BIKES2015-16(BUTSP2/SP3)
32	GB70-M6×20	Stud screw M6X20	vis M6X20	1	P1251516/P1501516/SP112-16/SP212-16/SP312-16/SM1501516
33	GB70-M6×25	Stud screw M6X25	vis M6X25	1	P1251516/P1501516/SP112-16/SP212-16/SP312-16/SM1501516
34	GB93-Φ6-W	Standard spring washer φ6	rondelle φ6	2	P1251516/P1501516/SP112-16/SP212-16/SP312-16/SM1501516
35	GB97-Φ6-W	Flat washer φ6	rondelle φ6	2	P1251516/P1501516/SP112-16/SP212-16/SP312-16/SM1501516
36	GB6177-M6-W	Hex. Nut M6	ecrou tendeur chaine M6	1	ALL BIKES2013-15(BUT50A)/ALL BIKES2016(BUT50A/SP)
29	YC110-0600-02	Chain box protection support	Support Protection chaine plastique	1	ALL BIKES2012-2016(BUT50A)
29	YC110-0600-021	Chain box protection support	Support Protection chaine plastique	1	ALL BIKES2012-2016(BUT50A)
19	GB818-M6×12-W	Plus screw M6x12	vis M6x12	3	ALL BIKES2012-16(BUT50A)
20	GB97-Φ6	Flat washer φ6	rondelle φ6	3	ALL BIKES2012-16
26	420H-110T	Chain 420H-110T, normal	chaine 420 110 maillons standart	1	P1251516/P1501516/SM1501516
27	AR-420	Chain link	Attache rapide chaine	1	All BIKES
28	YC110-0600-01	Chain box protection	Protection chaine plastique	1	ALL BIKES2012-2015(BUT50A)/ ALL BIKES2016(BUT50A/F88s/F88se)
<b>Rear Wheel Assy</b>					

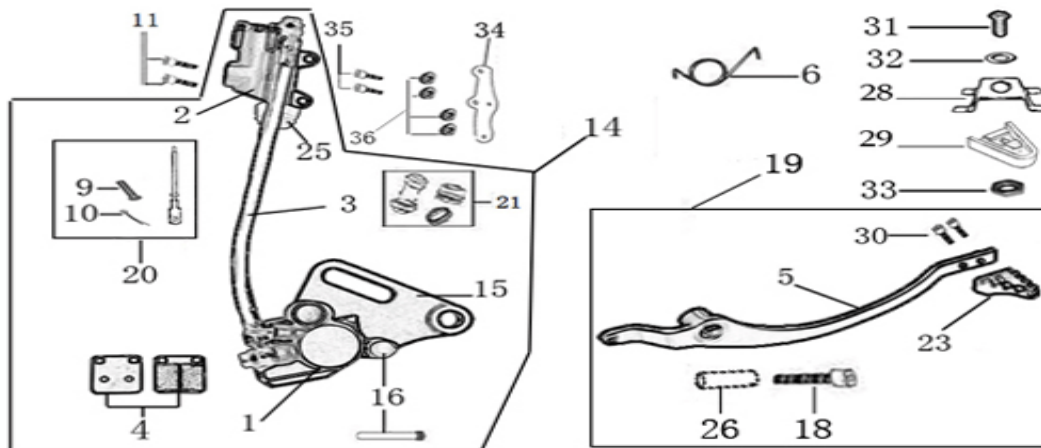


N	Ref.	Description	Français	Qty/ Bike	MODEL
1	YC110-1101-33	Complete STEEL Rear wheel 2.15x12' with disk. Casting hub	roue arriere complète ACIER 2.15x12' moyeux injecte avec disque	1	SM16
2	YC110-1102-31	Complete STEEL Rear wheel 2.15x12' without disk. Casting hub	roue arriere complète ACIER 2.15x12' moyeux injecte sans disque	1	SM12-16
3	CHAMBRE12	Tube for Rear tire 3.00-12' GL	chambre air 12' standard GL	1	SM12-16
	FB6170-M8-Cr	Tire valve nut M8	Ecrou M8 pour Chambre a air	1	ALL BIKES
4	120/80-12	YCF Rear tyre 120/80-12	pneu arriere 120/80-12 YCF	1	SM1516
7	YC110-1101-014	STEEL Rim 2.15x12'	cerceau roue 2.15x12' ACIER	1	SM12-16
8	YC110-1122-02	Rear wheel hub Casting with oil seal	moyeux arriere injectée avec joint spy	1	ALL BIKES2012-16 (BUT50A/SP)
10	96140-6202-2Z	Ball bearing 6202-2Z $\Phi 35 \times \Phi 15 \times 11$	roulement roue 6202-2Z $\Phi 35 \times \Phi 15 \times 11$	2	ALL BIKES2012-2015 (BUT50A) /ALL BIKES2016 (BUT50A/SP 2/SP3)
11	YC110-11-041	Rear wheel spacer right $\Phi 15 \times \Phi 22 \times 29$ mm	entretoise roue arriere droite $\Phi 15 \times \Phi 22 \times 29$ mm	1	F88s12-16/F88se1516/F12512-16/F125s12-16/F125se1516/F88s12-15/P12513-16/P15013-16/SM12-16/SP116
12	YC110-11-052	Rear wheel spacer left $\Phi 15 \times \Phi 22 \times 38$ mm	entretoise roue arriere gauche $\Phi 15 \times \Phi 22 \times 38$ mm	1	F88s12-16/F88se1516/F12512-16/F125s12-16/F125se1516/F88s12-15/P12513-16/P15013-16/SM12-16/SP116
13	GB70.2-M8x16	Screw for disk M8X16	vis disque frein M8X16	4	ALL BIKES2016 (BUT50A)



14	YC110-11-06/45	YCF Driven sprocket 420-45T	couronne acier 45T YCF	1	50A16/F12512-16/F125s12-16/F125se1516/P12513-16/P15013-16/SM12-16
15	YC110-1115-01	Rear Brake disc $\phi$ 200mm 2016	Disque frein arrière $\phi$ 200 mm 2016	1	ALL BIKES 2016(BUT50A)
16	GB5783-M8x25-W	Exterior Hex.Bolt M8X25	vis M8x25	4	F88s13-16/F88se1516/F12513-16/F125s13-16/F125se1516/P88s13-15/P12513-16/P15013-16/SM13-16
17	YC110-11-01	tire lining 12"	fond jante 12'	1	F88s12-15/SM12-16
18	YC110-0611	oil seal $\Phi$ 22x $\Phi$ 35x5	joint spy roue $\Phi$ 22x $\Phi$ 35x5	2	ALL BIKES2013-16(BUT50A)
21	JR12-13.5	set of spoke 12' (125mmx32)	jeu rayon arrière 12' (125mmx32)	1	SP213-16/SP313-16/SM13-16
22	YC110-11-03	Sprocket Locking piece	block couronne	2	ALL BIKES2013-16 (BUTSP1/SP2/SP3)
23	YC110-30	Teflon SM	Tampon teflon pour axe avant / arriere SM	2	SM10-16
	GB5787-M6x25-W	Hex. Bolt with Flanged M6X25	vis M6x25	2	SM10-16

**REAR BRAKE**

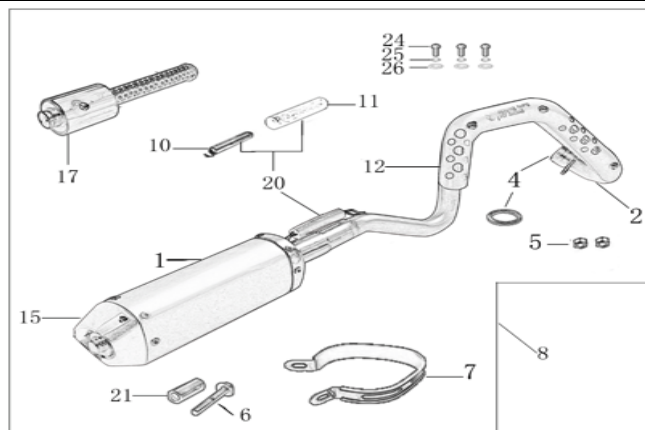


N	Ref.	Description	Français	Qty/ Bike	MODEL
1	YC110-1201-04	Rear Caliper 1 pistons w/t abestos	étrier frein arrière 1 piston sans amiante	1	ALL BIKES2012-2015(BUT50A) / ALL BIKES2016(BUT50A/SP2/SP3)
2	YC110-1201024	Rear reservoir $\phi$ 10mm (with stick L=45mm)	maitre cylindre frein arrière avec embout durite $\phi$ 10mm	1	P12516/P15016/SM15016

3	YC110-1201048	Oil steel tube L=465mm $\Phi$ 10/ $\Phi$ 10 PILOT 2016	durite frein arriere L=465mm $\Phi$ 10/ $\Phi$ 10 PILOT 2016	1	P12516/P15016/SM15016/SP116
4	YC110-1204	Friction pad for 1 piston brake w/t abestos with copper substrate	plaquette frein arriere 1 piston SANS AMIANTE	2	ALL BIKES2012-2015 (BUT50A/F88s/F88se) / ALL BIKES2016 (BUT50A/F88s/F88se/SP2/SP3)
5	YC110-1205-06	Steel brake pedal PILOT88s	pédale de frein PILOT88s	1	P88s13-15/P12513-16/P15013-16/SM15013-16
6	YC110-21-01	Spring for Steel brake pedal' $\Phi$ 3 $\times$ $\Phi$ 32 $\times$ 7mm	ressort pour pédale de frein Acier $\Phi$ 3 $\times$ $\Phi$ 32 $\times$ 7mm	1	ALL BIKES2013-14(BUT50A)/ALL BIKES2015-2016(BUT50A/SP1/SP2/SP3)
9	119.1-07016	Pin shaft 7 $\times$ 16mm	axe 7 $\times$ 16mm	1	ALL BIKES2012-16 (BUT50A)
10	GB91- $\Phi$ 1.6 $\times$ 16-W	Split pin 1.6 $\times$ 16mm	goupille 1.6 $\times$ 16mm	1	ALL BIKES2012-16 (BUT50A)
11	GB70-M6 $\times$ 20	Hex. Bolt M6 $\times$ 20	vis M6 $\times$ 20	2	ALL BIKES2013-16(BUT50A)
14	YC110-12012-24	Rear brake aasy 1 piston W/T ABESTOS $\Phi$ 10/ $\Phi$ 10 L=465mm 2016	Kit frein arriere 1 piston avec gaine plastic SANS AMIANTE $\Phi$ 10/ $\Phi$ 10 L=465mm 2016	1	P12516/P15016/SM15016
15	YC110-1201-01	Rear brake bracket T=5MM	patte fixation étrier frein arriere T=5MM	1	ALL BIKES2012-15(BUT50A)/ALL BIKES2016(BUT50A/SP2/SP3)
16	YC110-1255	Rear Brake pads Screw L=38mm	Vis plaquette AR L=38mm	2	ALL BIKES2012-15(BUT50A)/ALL BIKES2016(BUT50A/SP2/SP3)
18	GB70.1-M10 $\times$ 35-W	Nut for brake pedal M10X35	vis pour pédale frein M10X35	1	P88s13-16/P12513-16/P15013-16/SM15013-16/SP113-16/SP213-16/SP313-16
19	YC110-217-01	Steel brake pedal PILOT / SM150 2013	Pédale de frein Acier PILOT / SM150 2013	1	P88s13-15/P12513-16/P15013-16/SM15013-16
21	YC110-120110	rubber for rear caliper	jeu de caoutgouc d'etrier frein arriere	1	ALL BIKES2012-2015 (BUT50A) / ALL BIKES2016 (BUT50A/SP2/SP3)
23	YC110-21-10	Steel brake pedal end cap	embout pédale de frein Acier	1	P88s12-16/F88se1516/F12512-16/F125s12-16/F125se1516/P88s12-15/P12513-16/P15013-16/SM12-16
25	YC110-12025-01	Rubber for REAR RESERVOIR PUSH STICK 2016	Caoutchouc tige maitre cylindre frein arrier 2016	1	P12516/P15016/SP116/SP216/SP316/SM15016
26	FB13-10 $\times$ 14 $\times$ 17-CW	bushing $\Phi$ 10 $\times$ $\Phi$ 14 $\times$ 17mm	entretoise $\Phi$ 10 $\times$ $\Phi$ 14 $\times$ 17mm	1	P88s13-15/P12513-16/P15013-16/SM15013-16
28	YC110-35	rubber ixing steel plate for brake pedal	plaque support tampon teflon pédale de frein	1	SM12-16
29	YC110-31	rubber for brake pedal	tampon téflon pédale frein	1	SM12-16
30	GB70-M6 $\times$ 16-Cr	Hex. Bolt M6 $\times$ 16	vis M6 $\times$ 16	2	F88s13-16/F88se1516/F12513-16/F125s13-16/F125se1516/P88s13-15/P12513-16/P15013-16/SM13-16

31	GB818-M6×16-W	Plus screw M6X16	vis M6X16	1	SM12-16
32	GB97-Φ6-W	flat washer φ6	rondelle φ6	1	SM12-16
33	GB6170-M6-W	Nut M8	ecrou M8	1	SM12-16
34	YC110-1215-03	Mount for rear break reservoir "extern"PILOT/SP 2016	fixation maitre cylindre frein arriere "externe" PILOT/SP 2016	1	P12516/P15016/SM15016 /SP116/SP216/SP316
35	GB70-M6×16	Hex. Bolt M6x16	vis M6x16	2	P88s13-15/P12513- 16/P15013-16/SM15013- 16/SP113-16/SP213- 16/SP313-16
36	GB93-Φ5	Standard spring washer φ5	rondelle φ5	4	P88s13-15/P12513- 16/P15013-16/SM15013- 16

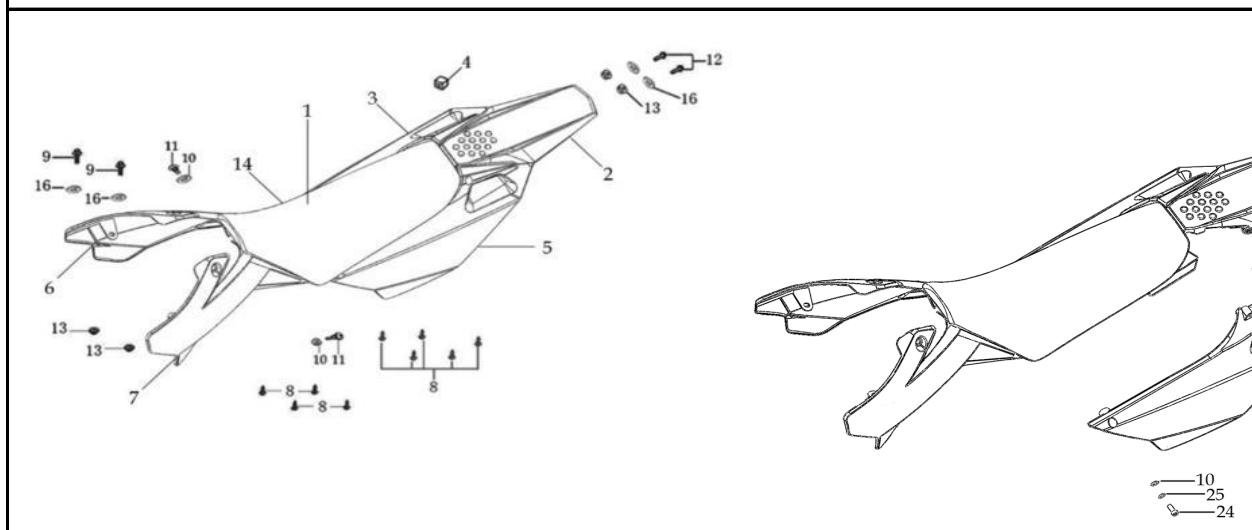
#### Exhaust system



N	Ref.	Description	Français	Qty/ Bike	MODEL
1	YC110-13016-GY	YCF Muffler 94db START L=295mm (1 springs) 2015 GREY	silencieux YCF 94db 2015 GRISE	1	F88s1516/F88se1516/F1251516/F125s1516/F125se1516/F125s1516/P125s1516/P125se1516/P125s1516/P125se1516/P1501516/SM1501516
2	YC110-1302-10	Exhaust pipe with protection plate Φ28 mm PILOT 2015	collecteur avec plaque Φ28 mm PILOT 2015	1	P88s15/P1251516/P1501516/SM1501516
4	18291/152FMH	Exhaust pipe washer φ32×φ25.5×4	joint pot φ32×φ25.5×4	1	ALL BIKES2012-2016 (BUT50A)
5	GB6170-M6-W	Hex flanged self locking nut M6	écrou M6	2	ALL BIKES
6	GB5787-M8×35-W	Hex. Bolt with flanged M8x35	vis M8x35	1	50A13-16/P12513-16/P15013-16/SM15013-16
7	YC110-13-04	Hoop for muffler YCF START 2011(with FB13-Φ10×Φ14×23-W 1EA+GB5787-M8×40-W 1EA)	Attache silencieux YCF START 2011	1	5011/F88s12-16/F88se1516/F12512-16/F125s12-16/F125se1516/F88s12-15/P12513-16/P15012-16/SP112-16/SM12-16
8	YC110-136-03-GY	PILOT / SM150 Muffler& Exhaust pipe assy YCF 94db (1 spring)	Echappement complet YCF 94db PILOT / SM150 (1 ressort)	1	P88s15/P1251516/P1501516/SM1501516
10	YC110-13-201	muffler spring Φ6.5×Φ9×50mm	ressort pot Φ6.5×Φ9×50mm	1	ALL BIKES2012-14(BUT50A)/ALL BIKES2015-16 (BUT50A/SP)

11	YC110-138	rubber for muffler spring	caoutchouc ressort pot	1	ALL BIKES2012-16(BUT50A)
12	YC110-1312-02	Protection for exaust pipe PILOT / SM150 2013	Grille pot PILOT / SM150	1	P88s13-15/P12513-16/P15013-16/SM15013-16
15	YC110-13-32	Muffler end cap YCF	Emout silencieux YCF	1	5011/F88s12-16/F88se1516/F12512-16/F125s12-16/F125se1516/P88s12-15/P12513-16/P15013-16/SM12-16/SP113-16
17	YC110-13-301	Noise reducer (spark arrestor) YCF START	Bride de pot YCF START	1	F88s12-16/F88se1516/F12512-16/F125s12-16/F125se1516/P88s12-15/P12513-16/P15013-16/SM12-16/SP112-16
20	YC110-13-21	muffler spring with rubber	ressort pot avec le caoutchouc	1	ALL BIKES2012-14(BUT50A)/ALL BIKES2015-16 (BUT50A/SP)
24	GB70.2-M6×10-Cr	Plus screw M6×10	vis M6×10	3	ALL BIKES2013-16
25	GB93-Φ6-W	Standard spring washer φ6	rondelle φ6	3	SP112-16/SP212-16/SP312-16
26	GB97-Φ6-W	flat washer φ6	rondelle φ6	3	ALL BIKES2012-16

#### Seat & Plastic kit

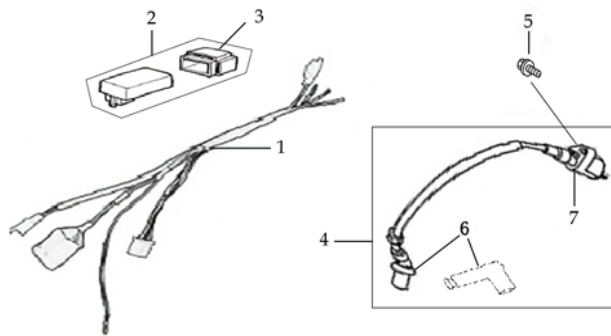


N	Ref.	Description	Français	Qty/ Bike	MODEL
1	YC110-1401-09	YCF Seat assy L=510mm 2016	Sells SP 2016	1	P12516/P15016/SM15016/SP116/SP216/SP316
2	YC110-14-018BK	YCF Rear fender 2016 BLACK	Garde boue arrière YCF 2016 avec Picots NOIR	1	P12516/P15016/SM15016/SP116/SP216/SP316
3	YC110-14-028BK	YCF right side plastic assy 2016 BLACK	Plaque latérale droite YCF 2016 NOIRE	1	P12516/P15016/SM15016/SP116/SP216/SP316
17	YC110-1428-01BK	YCF Handle for right side plastic 2016 BLACK	Paire de Poignées Droite pour Plaque Laterales YCF 2016	1	P12516/P15016/SM15016/SP116/SP216/SP316

19	YC110-1419-01-BK	YCF right side plastic 2016 BLACK	Plaque latérale droite YCF 2016 NOIRE	1	P12516/P15016/SM15016/SP116/SP216/SP316
5	YC110-14-048BK	YCF left side plastic assy 2016 BLACK	Plaque laterale gauche YCF 2016 NOIR	1	P12516/P15016/SM15016/SP116/SP216/SP316
18	YC110-1429-01BK	YCF Handle for left side plastic 2016 BLACK	Paire de Poignees Gauche pour Plaque Laterales YCF 2016	1	P12516/P15016/SM15016/SP116/SP216/SP316
20	YC110-1420-01-BK	YCF left side plastic 2016 BLACK	Plaque laterale gauche YCF 2016 NOIR	1	P12516/P15016/SM15016/SP116/SP216/SP316
21	YC110-1404-01	Cushion for side plastic $\Phi 8.2 \times \Phi 20.2 \times 9$ mm 2016	caoutchouc plaque laterale $\Phi 8.2 \times \Phi 20.2 \times 9$ mm 2016	2	P12516/P15016/SM15016/SP116/SP216/SP316
4	YC110-14-03	Cushion for right side plastic	caoutchouc plaque laterale droite	1	ALL BIKES
22	GB70.2-M5x12-Cr	Plus screw M5X12	vis M5X12	2	P12516/P15016/SM15016/SP116/SP216/SP316
23	GB70-M6x12-Cr	Hex. Bolt M6x12	vis M6x12	2	P12516/P15016/SM15016/SP116/SP216/SP316
24	GB70-M6x16-Cr	Hex. Bolt M6x16	vis M6x16	2	P12516/P15016/SM15016/SP116/SP216/SP316
25	GB95- $\Phi 6$ -W	flat washer $\Phi 6.6 \times \Phi 12$	rondelle $\Phi 6.6 \times \Phi 12$	4	P12516/P15016/SM15016/SP116/SP216/SP316
10	YC110-02-13	Rubber washer $\Phi 6 \times \Phi 14 \times 3$ mm	joint caoutchouc $\Phi 6 \times \Phi 14 \times 3$ mm	4	ALL BIKES2012-16
6	YC110-14-052BK	YCF Right shroud BLACK	Ouie radiateur droite YCF NOIRE	1	ALL BIKES2015-16(BUT50A/50E)
7	YC110-14-062BK	YCF Left side shroud BLACK	Ouie radiateur gauche YCF NOIRE	1	ALL BIKES2015-16(BUT50A/50E)
8	GB845-ST4.8x16-G	Screw for plastic kit ST4.8x16	vis plastique ST4.8x16	8	ALL BIKES2012-16
8	GB845-ST4.8x20-G	Screw for plastic kit ST4.8x20	vis plastique ST4.8x20	1	F88s13-15/P12513-16/P15013-16/SM15013-16/SP113-16/SP213-16/SP313-16
9	GB5787-M6x20-W	hex. Bolt with flanged M6x20	vis M6x20	2	ALL BIKES2012-16
10	YC110-02-13	Rubber washer $\Phi 6 \times \Phi 14 \times 3$ mm	joint caoutchouc $\Phi 6 \times \Phi 14 \times 3$ mm	2	ALL BIKES2012-16
11	FB5787-M5x12-W	hex. Bolt with flanged M5x12	vis M5x12	2	ALL BIKES2012-16
11	GB96- $\Phi 5$ -W	flat washer $\Phi 5 \times \Phi 12$	rondelle $\Phi 5 \times \Phi 12$	2	ALL BIKES2015-16
12	GB5787-M6x20-B	hex. Bolt with flanged M6x20 BLACK	vis M6x20 NOIR	2	ALL BIKES2012-16
13	GB6177-M6-W	Hex. Flanged nut M6	écrou M6	2	ALL BIKES2012-16
14	YC110-14025	YCF seat cover 2016	Housse selle YCF 2016	1	P12516/P15016/SM15016/SP116/SP216/SP316

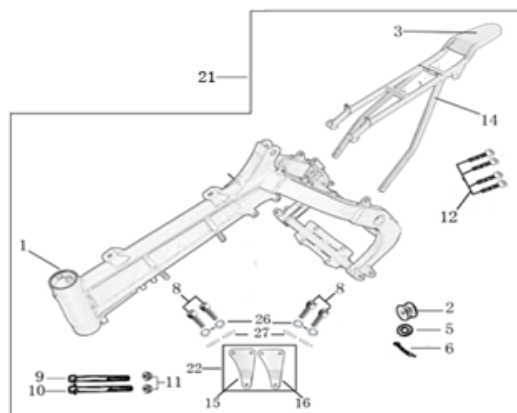
16	YC110-03-01	Rubber washer $\Phi 6 \times \Phi 18 \times 4 \text{mm}$	joint caoutchouc $\Phi 6 \times \Phi 18 \times 4 \text{mm}$	4	ALL BIKES2012-16
16	GB96- $\Phi 6$	flat washer $\phi 6$	rondelle $\phi 6$	4	ALL BIKES2012-16

**ELECTRIC**



N	Ref.	Description	Français	Qty/ Bike	MODEL
1	YC110-1501	Wire harness 125CC	Faisceaux électrique 125CC	1	F12512-16/F125s12-16/P12513-16/P15013-16/SP112-16/SP212-16/SM12-16
2	YC110-1503	CDI Ignitor assy.125cc	CDI 125cc	1	FP1112/F12512-16/F125s12-16/F125se1516/P12513-16/P15013-16/SM12-16/SP112-16/SP212-16
3	YC110-1501-03	Ignitor rubber	caoutchouc cdi	1	ALL BIKES2012-16 (BUT50A/SP3)
4	YC110-1504-02	Ignitor coil L=240mm	bobine haute tension L=240mm	1	F12512-16/F125s12-16/F125se1516/P88s12-15/P12513-16/P15013-16/SM12-16/SP114-16/SP214-16
5	GB5787-M6x20	Hex. Bolt with flanged M6x20	vis M6x20	1	ALL BIKES2013-16(BUT50A/SP3)
6	YC110-1505	anti interference red	anti parasite rouge	1	ALL BIKES2012-2016 (BUT50A/SP3)
7	YC110-1504	Ignitor coil	bobine haute tension	1	ALL BIKES2012-2016 (BUT50A/SP3)

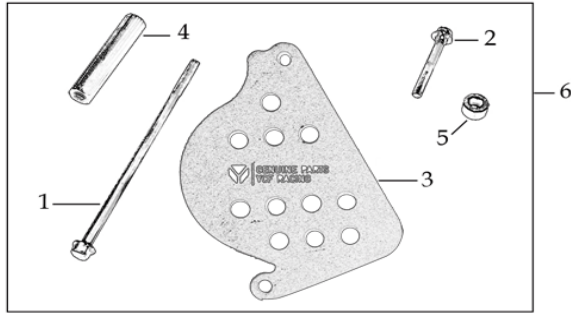
**Frame**



N	Ref.	Description	Français	Qty/ Bike	MODEL
---	------	-------------	----------	--------------	-------

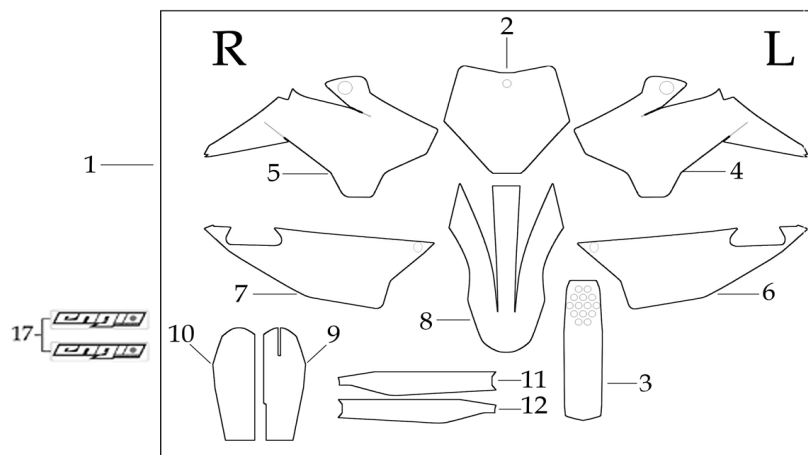
1	YC110-176-06-WH	PILOT F150 / SM150 Chromely Frame (for fork 735mm) 2014 WHITE	Cadre chromolly PILOT F150 / SM150 (pour fourche 735mm) 2014 BLANC	1	P1251516/P15014-16/SM15014-16
2	YC110-2201	YCF Chain tensioner component	roulette chaine YCF	1	ALL BIKES2011-2016 (BUT50A)
3	YC110-0700-11	Tail cover sponge	Mousse Boucle arriere	1	ALL BIKES2014-16(BUT50A/SP3)
5	GB97-Φ10-W	Flat washer φ10x17x2	rondelle φ10x17x2	1	ALL BIKES2014-16 (BUT50A)
6	GB91-Φ2×25-W	cotter pin φ2.0×25	goupille φ2.0×25	1	ALL BIKES2013-16
8	GB70-M8×20	Hex. Bolt with flanger M8x20	vis boucle arriere M8x20	2	P88s13-15/P12513-16/P15013-16/SP113-16/SP213-16/SP313-16/SM15013-16
8	GB70-M8×14	Hex. Bolt with flanger M8x14	vis boucle arriere M8x14	2	P88s13-15/P12513-16/P15013-16/SM15013-16
9	GB5787-M8×110-W	Hex. Bolt with flanger face M8X110	vis m8x110	1	F88s13-16/F88se1516/F12513-16/F125s13-16/F125se1516/P88s13-15/P12513-16/P1513-16/P15013-16/SM13-16
9	GB5787-M8×100-W	Hex. Bolt with flanger M8x100	vis M8x100	1	F88s13-16/F88se1516/P88s13-15/P12513-16/P15013-16/SM15013-16
10	GB6187-M8-W	Self locking nut M8	ecrou M8	2	ALL BIKES
12	GB70-M8×25	Hex. Bolt with flanger M8x25	vis boucle arriere M8x25	4	F12513-16/F125s13-16/F125se1516/P88s13-15/P12513-16/P15013-16/SM13-16
14	YC110-1614-07	STEEL rear frame part P150/SM150 2016 BLACK	Boucle arriere de cadre ACIER P150/SM150 2016 NOIR	1	P12516/P15016/SM15016
	YC110-1404-01	Rubber for Subframe	Caoutchouc pour Boucle Arriere	2	P12516/P15016/SM15016/SP116/SP216/SP316
15	YC110-1615-02-BK	frame engine pads left PILOT 150/SM150 BLACK 2014	patte de cadre gauche PILOT 150/SM150 2014 NOIRE	1	P1251516/P15014-16/SM15014-16
16	YC110-1616-02-BK	frame engine pads right P150/SM150 2014 BLACK	patte de cadre droite PILOT P150/SM150 2014 NOIRE	1	P1251516/P15014-16/SM15014-16
21	YC110-181-06-WH	complète frame PILOT F150 / SM F150 WHITE / Black pads 2016	cadre complet PILOT F150 / SM F150 BLANC / Pattes Noires 2016	1	P12516/P15016/SM15016
22	YC110-1622-02-BK	set of engine pads PILOT 150 /SM150 2014 BLACK	jeu de patte de cadre PILOT 150/ SM150 2014 NOIRE	1	P1251516/P15014-16/SM15014-16
26	GB93-Φ8-W	washer φ8	rondelle φ8	4	P88s13-15/P12513-16/P15013-16/SP113-16/SP213-16/SP313-16/SM15013-16
27	GB97-Φ8-W	Flat washer Φ8	rondelle Φ8	4	P88s13-15/P12513-16/P15013-16/SP113-16/SP213-16/SP313-16/SM15013-16

**FRONT SPROCKET PROTECTION**



N	Ref.	Description	Français	Qty/ Bike	MODEL
1	GB5787-M6×120-Cr	Hex. Bolt with flanger M6×120 Chrome	vis M6×120	1	ALL BIKES2012-16 (BUT50A/F88se/F125se/SP3)
2	GB5787-M6×40-Cr	Hex. Bolt with flanger M6×40 Chrome	vis M6×40	1	ALL BIKES2012-16 (BUT50A/F88se/F125se/SP3)
3	YC110-24-074-BK	Aluminium chain protection 2013 PILOT / FACTORY BLACK	Protection PSB Aluminium 2013 PILOT / FACTORY NOIR	1	P88s13-15/P12513-16/P15013-16/SP113-16/SP213-16/SM15013-16
4	FB13-7×12×55-W	bushing $\Phi 7 \times \Phi 12 \times 55$	entretoise $\Phi 7 \times \Phi 12 \times 55$	1	ALL BIKES2012-16 (BUT50A/F88se/F125se/SP3)
5	FB13-7×12×7-W	bushing $\Phi 7 \times \Phi 12 \times 7$	entretoise $\Phi 7 \times \Phi 12 \times 7$	1	ALL BIKES2012-16 (BUT50A/F88se/F125se/SP3)
6	YC110-253BK	Complete Aluminium chain protection 2013 PILOT / FACTORY 2013 BLACK	Protection complète PSB Aluminium 2013 PILOT / FACTORY 2013 NOIRE	1	P88s13-15/P12513-16/P15013-16/SP113-16/SP213-16/SM15013-16

**GRAPHICS**



N	Ref.	Description	Français	Qty/ Bike	MODEL
1	KDSM1502016	Complete graphic kit SM150 2016	Kit deco complet SM150 2016	1	SM15016



2	YC110-33-0113	Front plate graphic SM150 2016	Sticker Plaque avant SM150 2016	1	SM15016
3	YC110-33-0213	Rear mudguard graphic SM150 2016	Sticker GB Arriere SM150 2016	1	SM15016
4	YC110-33-0313	Left shrouder graphic SM150 2016	Sticker Ouie gauche radiateur SM150 2016	1	SM15016
5	YC110-33-0413	Right shrouder graphic SM150 2016	Sticker Ouie droite radiateur SM150 2016	1	SM15016
6	YC110-33-0513	Left side plate graphic SM150 2016	Sticker Plaque laterales gauche SM150 2016	1	SM15016
7	YC110-33-0613	Right side plate graphic SM150 2016	Sticker Plaque laterales droite SM150 2016	1	SM15016
8	YC110-33-0712	Front fender Front fender graphic SM 2016	Sticker GB Avant SM 2016	1	SM16
9	YC110-33-0811	Front left shock protection graphic SM150/SP3190 2016	Sticker Protection gauche fourche SM150/SP3190 2016	1	SM15016/SP319016/
10	YC110-33-0911	Front right shock protection graphic SM150/SP3190 2016	Sticker Protection droit fourche SM150/SP3190 2016	1	SM15016/SP319016/
	YC110-1909	Sticker FACTORY Shock Absorber	Autocollant FACTORY Amortisseur	1	ALL BIKES2013-16 (BUT50A/SP3)
	YC110-1910	GAS TANK STICKER	STICKER RESERVOIR	1	ALL BIKES2013-16(BUT50A)
	YC110-1901	Sticker Chain	Autocollant Chaine	1	ALL BIKES2013-16
	YC110-1902	Sticker Tire	Autocollant Pression Pneu	1	ALL BIKES2013-16
	YC110-1903	Sticker Warning OIL Level	Autocollant Attention Niveau Huile	1	ALL BIKES2013-16
	YC110-1904	Sticker Rear Mudguard 70x57mm	Autocollant garde boue arriere 70x57mm	1	ALL BIKES2013-16
	YC110-1905	Sticker CE	Autocollant CE	1	ALL BIKES2013-16
	YC110-1906	Warning sticker	Sticker Attention	1	ALL BIKES2013-16
	YC110-1907	Warning Sticker Transport	Sticker Caisse Avertissement Transport	1	ALL BIKES2013-16

	YC110-1908	Warning Sticker Shosk Absorber	Sticker Avertissement Amortisseur	1	ALL BIKES2013-16
--	------------	--------------------------------	-----------------------------------	---	------------------

### ENGINES

	MOTEUR150-5	ENGINE 150-5 YX	MOTEUR YX DTE150-5	1	SP113-16/SM15013-16
	17311-5	Inlet Pipe,Pro P150 2015	PIPE ADMISSION P150 2015	1	P15016 / SM15016
	17322/152FMH	carburettor paper gasket $\Phi$ 28	joint papier carburateur $\Phi$ 28	1	ALL BIKES2015-16 (BUT50A/SP3190)
	17332/152FMH01	Intake Gasket	JT PAPIER PIPE ADMISSION	1	ALL BIKES2015-16 (BUT50A/SP3190)
	F00C039	carburettor isolating gasket $\Phi$ 27.5	joint plastique carburateur $\Phi$ 27.5	1	ALL BIKES2015-16 (BUT50A/SP3190)
	11411/152FMH	Crankcase Cover, LH	CARTER ALLUMAGE	1	ALL BIKES2015-16 (BUT50A/SP3190)
	YC140-27600-SI	STEEL KICK YCF 2015 BIG HOLE	KICK ACIER 2015 GROS DIAMETRE SILVER	1	P1501516/SM1501516/SP11516/SP21516/SP31516
	24700/152FMH	Gearshift Pedal	SELECTEUR	1	F88se1516/F12513-16/F125se1516/P12513-16/P15013-16/SM15013-16/SP113-16/SP213-16/SP313-16

### CARBU

	YC110-38424	Carburetor RSP/SM150/C/CP/FP 2012 with main jet 107.5 and slow jet 15	Carburateur RSP/SM150/C/CP/FP 2012 GICLEUR 107.5 GICLEUR 15	1	P15013-16/SM15013-16/SP113-16/SP213-16/SP315013-15
	YC110-3847-01	Carburetor spring $\Phi$ 17 $\times$ 70mm	Ressort Carbu	1	F12513-16/F125s13-16/F125se1516/P12513-16/P15013-16/SP113-16/SP213-16/SP315013-15/SM13-16

### CARTONS - CAISSES MOTOS

	YC110-CARTON-CP	BIKE BOX CLASSIC 1520 $\times$ 380 $\times$ 840mm	CARTON EMBALLAGE MOTO CLASSIC	1	CP12/FP12/P1251516/P1501516/SM1501516/SP11316/SP213-16/SP313-16
	YC110-FOAMBOX	Foam box 2014 420 $\times$ 340 $\times$ 160mm	Cale PS	1	ALL BKIES2014-16
	YC110-FILM	Protective film for seat 600 $\times$ 600 $\times$ 0.02mm	Protection plastique pour Selle	1	ALL BKIES2014-16

### CATALOGUES - FICHES MOTOS - FICHES STICKER

	YC110-0700-01	Accessory tools	Trousse a outils	1	ALL BIKES
	YC110-0700-0201	Owner manual 2015	Manuel Utilisation 2015	1	ALL BIKES2013-16
	YC110-0700-0401	Vin Plate 2015	Plaque Vin 2015	1	ALL BIKES2013-16
	YC110-0700-03	A4 sheet assy	Fiche A4	1	ALL BIKES

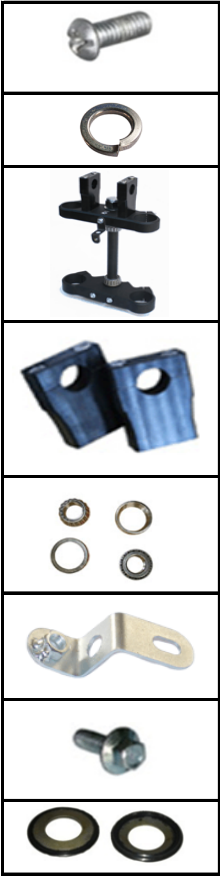
2016



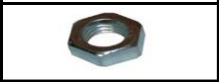
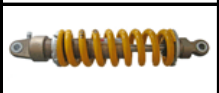






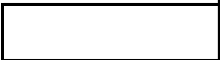
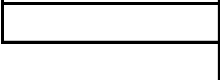
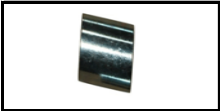




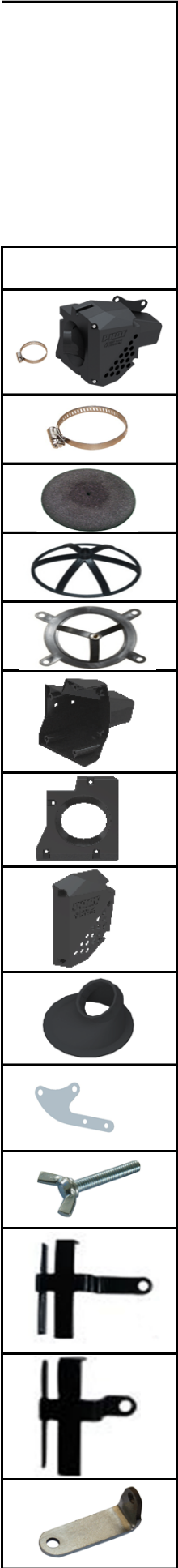








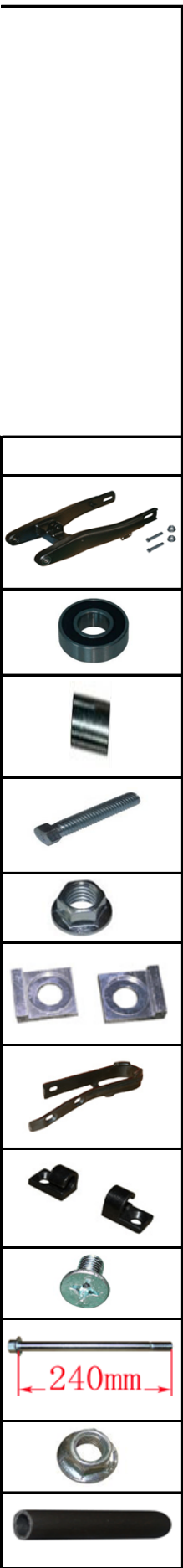












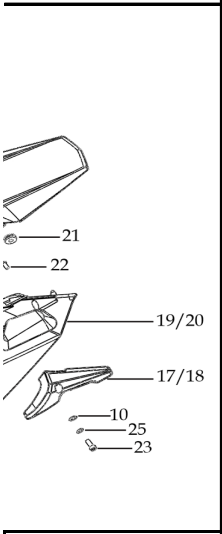


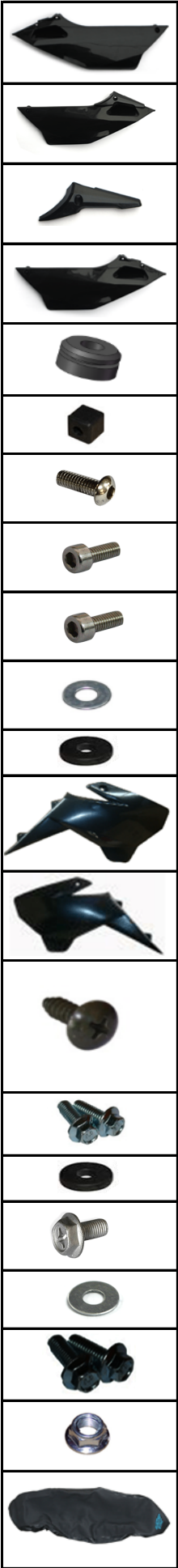




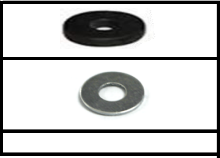










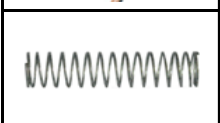
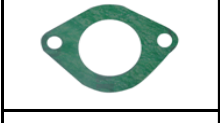
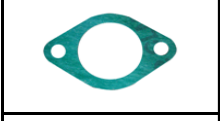








**WARNING - AVERTISSEMENT**  
WARNING:  
THE SHOCK ASSEMBLY IS NOT LOCKED  
ATTENTION:  
LA VIS DE L'AMORTISSEUR N'EST PAS SERRÉE  
6342000





NAME / BRAND: **VCF** 100% POLYURETHANE  
MODEL / TYPE: 100% POLYURETHANE  
SERIAL NUMBER: 100% POLYURETHANE  
MFG. YEAR: 100% POLYURETHANE **CE**

