



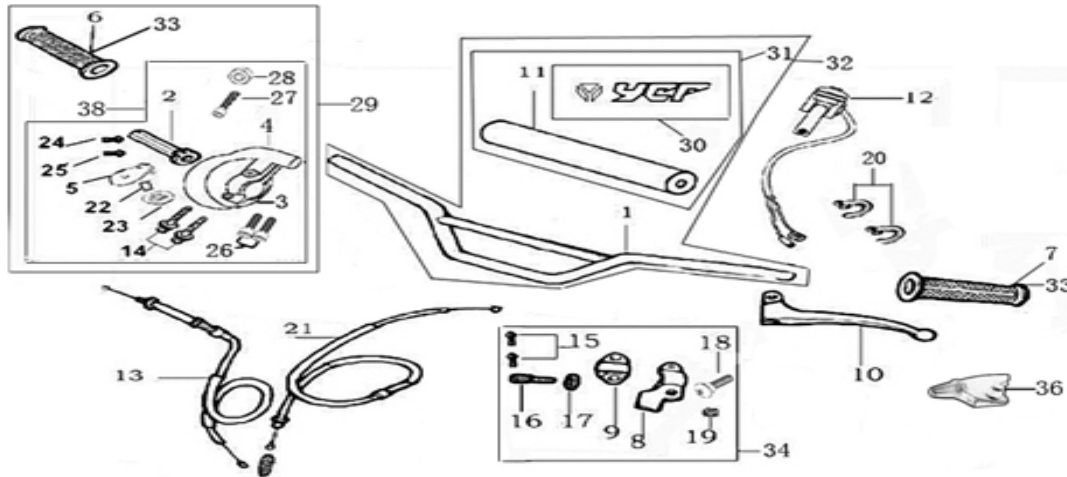
YCF-Riding.com

START F125

LITE



Handle bar assembly

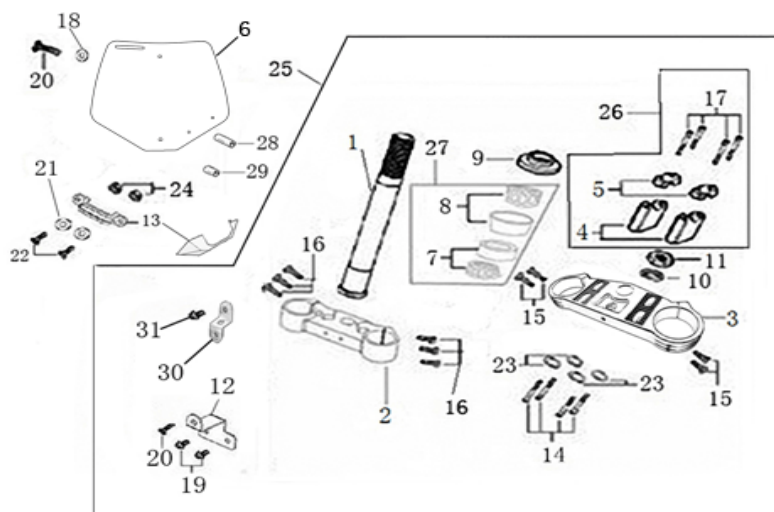


N°	Ref.	Description	Français	Qty/ Bike	MODEL
1	YC110-0101	Handle Bar START Chromelly L=740mm	Guidon chromolly START L=740mm	1	F88s12-16/F88se16/F125L16/F12512-16/F125s12-16/F125se16/ SM125s12-16 / P88s13-16/P12513-16/P15013-16
2	YC110-01021-01	YCF Throttle Body 2012 BLACK	plastique poignée de gaz YCF 2012 NOIR	1	ALL BIKES 2012-16
3	YC110-01021-04	YCF Lower Throttle Body Housing 2012	dessous poignée gaz YCF 2012	1	50A12-16/F88s12-16/F88se16/F125L16/F12512-16/F125s12-16/F125se16/P88s12-15/P12514-16/SM125s14-16
4	YC110-01021-03	Upper Throttle Body Housing YCF 2012	dessus poignée gaz YCF 2012	1	ALL BIKES 2012-2016
5	YC110-01021-02	Upper Throttle Body Housing Cover YCF 2012	plastique du dessus poignée gaz YCF 2012	1	ALL BIKES 2012-2016
6	YC110-01-01-GY	YCF Right Grip GREY	poignée caoutchouc droite YCF GRISE	1	ALL BIKES2012-2016
7	YC110-01-02-GY	YCF Left Grip GREY	poignée caoutchouc gauche YCF GRISE	1	ALL BIKES2012-2016
8	YC110-0108-05	Clutch upper bracket 2014 SILVER	cocotte basse embrayage 2014 SILVER	1	F125L16/F12514-16/P12514-16/P15014-16/SM15014-16/SP114-16/SP214-16/SP314-16

9	YC110-0109-05	Clutch lower bracket 2014 SILVER	demi cocotte embrayage 2014 SILVER	1	F125L16/F12514-16/P12514-16/P15014-16/SM15014-16/SP114-16/SP214-16/SP314-16
	FB13-8×10×8-Cu	Clutch lever bushing $\Phi 8 \times \Phi 10 \times 8.1$ mm copper	entretoise levier embrayage $\Phi 8 \times \Phi 10 \times 8.1$ mm	1	F125L16/F12514-16/P12514-16/P15014-16/SM15014-16/SP114-16/SP214-16/SP314-16
10	YC110-0103-03	Clutch lever 2014 (with FB13- $\Phi 8 \times \Phi 10 \times 6$ -Cu 1EA+FB13- $\Phi 8 \times \Phi 10 \times 8$ -Cu 1EA)	levier embrayage 2014	1	F125L16/F12514-16/P12514-16/P15014-16/SM15014-16/SP114-16/SP214-16/SP314-16
11	YC110-0110-01	Bar pad for Chromolly Handlebar L=250 mm	Mousse guidon pour guidon Chromolly L=250 mm	1	F88s12-16/F88se1516/F125L16/F12512-16/F125s12-16/F125se1516/P88s13-15/P12513-16/P15012-16/SM125s12-16
12	YC110-0105-01	Kill Switch ON/OFF L=580mm	Coupe circuit on off L=580mm	1	ALL BIKES2012-16 (BUT50A/SPIII)
13	YC110-0106-10	Throttle Cable L=770mm A+B=130	Cable gaz L=770mm A+B=130	1	F125L16
14	GB5787-M6×22-G	Hex. Bolt with Flanged Face M6X22	vis M6X22	2	ALL BIKES2012-16(BUT50A)
15	GB5787-M6×20-G	Hex. Bolt with Flanged Face M6X20	vis M6X20	2	F125L16/F12512-16/P12514-16/P15014-16/SM15012-16/SP112-16/SP212-16/SP312-16
16	YC110-0103-04	Clutch Adjust bolt M7×18mm	Tendeur cocotte embrayage M7×18mm	1	F125L16/F12512-16/P12514-16/P15014-16/SM15012-16/SP112-16/SP212-16/SP312-16
17	YC110-0117	Clutch Tight Nut M7	ecrou cocotte embrayage M7	1	F125L16/F12512-16/P12514-16/P15014-16/SM15012-16/SP112-16/SP212-16/SP312-16
18	27-06022B	Clutch Stepped bolt M6X22	vis cloche embrayage M6X22	1	F125L16/F12512-16/P12514-16/P15014-16/SM15012-16/SP112-16/SP212-16/SP312-16
19	6183-06000B	Clutch Self-lock Nut M6	ecrou cloche embrayage M6	1	F125L16/F12512-16/P12514-16/P15014-16/SM15012-16/SP112-16/SP212-16/SP312-16
20	YC110-01-03-BK	Tape 150mm BLACK	colier maintien cable 150mm NOIR	2	ALL BIKES
20	YC110-01-03-WH	Tape 150mm WHITE	colier maintien cable 150mm BLANC	2	ALL BIKES
20	YC110-01-05-BK	Tape 350mm BLACK	colier maintien cable 350mm NOIR	5	ALL BIKES
21	YC110-0109-09	Clutch Cable Assy. L=830mm A+B=60mm	cable embrayage L=830mm A+B=60mm	1	F125L16
22	YC110-0102-08	YCF Throttle cable Bearing $\Phi 8 \times \Phi 16 \times 5$ mm	Roulement poignee gas YCF $\Phi 8 \times \Phi 16 \times 5$ mm	1	ALL BIKES2012-2016
23	YC110-0102-07	YCF Throttle cable guide pulley plastic $\Phi 12 \times \Phi 16 \times \Phi 28 \times 8$ mm	Roulette plastique Poignee Gas YCF $\Phi 12 \times \Phi 16 \times \Phi 28 \times 8$ mm	1	ALL BIKES2012-2016
24	GB819-M4×12	Plus screw M4×12	vis M4×12	1	ALL BIKES2012-2016
25	GB819-M4×20	Plus screw M4×20	vis M4×20	1	ALL BIKES2012-2016

26	GB70-M6×20-B	Hex. Bolt M6x20 BLACK	vis M6x20 NOIR	2	ALL BIKES2012-2016
27	GB70-M5×12	Hex. Bolt M5×12	vis M5×12	1	ALL BIKES2012-2016(BUT50A)
30	YC110-012021-BK	PVC for Bar Pad suitable Chromolly Handlebar 246mm×156mm 2013 BLACK	PVC mousse guidon Chromolly 246mm×156mm 2013 NOIR	1	F88s12-16/F88se1516/F125L16/F12512-16/F125s12-16/F125se1516/F88s13-15/P12513-16/P15012-16/SM125s12-16
31	YC110-0132BK	Complete Bar Pad for Chromolly Handlebar L=250mm 2013 BLACK	Mousse guidon complete pour guidon Chromolly L=250mm 2013 NOIR	1	F88s12-16/F88se1516/F125L16/F12512-16/F125s12-16/F125se1516/F88s13-15/P12513-16/P15012-16/SM125s12-16
32	GA02-BK	Chromelly Handle Bar with bar pad and pvc START / PILOT / SM125s 2013	Guidon chromolly complet avec Mousse et Pvc START / PILOT / SM125s 2013	1	F88s12-16/F88se1516/F125L16/F12512-16/F125s12-16/F125se1516/F88s13-15/P12513-16/P15012-16/SM125s12-16
33	PPC010-GY	YCF set of grip GREY	Paire de poignée caoutchouc YCF GRISE	1	ALL BIKES2012-2015
34	YC110-0126-01	Clutch bracket Assy. 2014 SILVER	Cocotte embrayage complete 2014 SILVER	1	F125L16/F12514-16/P12514-16/P15014-16/SM15014-16/SP114-16/SP214-16/SP314-16
35	YC110-0134-02	Cnc adjustable bracket with lever 2014 SILVER	Cocotte CNC réglage rapide avec levier embrayage 2014 SILVER	1	F125L16/F12514-16/P12514-16/P15014-16/SM15014-16/SP114-16/SP214-16/SP314-16
36	YC110-0103-10	rubber on clutch lever	caoutchouc levier embrayage	1	F125L16/F12514-16/P12514-16/P15014-16/SM15014-16/SP114-16/SP214-16/SP314-16
38	YC110-01021-N	YCF Throttle Assy. 2012 without grip (with YC110-0102-08 1EA)	Poignee gaz réglable YCF 2012 nue	1	ALL BIKES12-13(BUT50CC)/F88s14-16/F88se1516/F125L16/F12514-16/F125s14-16/F125se1516/P88s1415/P12514-16/SM125s14-16

Steering stem assembly

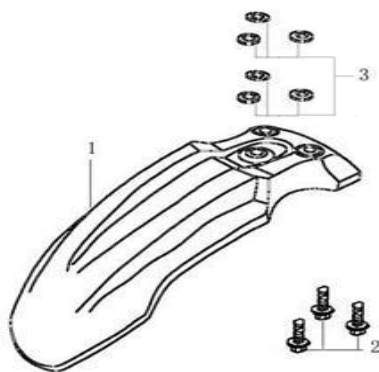


N	Ref.	Description	Français	Qty/ Bike	MODEL
1	YC50-0200-01	Steering stem 195 mm	tige colonne direction 195 mm	1	50A12-16/F125L16

2	YC110-0202-46-BK	Lower triple clamp 160 mm ϕ 33mm F125L 2016	té fourche inferieur 160 mm ϕ 33mm	1	F125L16
3	YC110-0201-46-BK	Top Triple Clamp160mm ϕ 33mm (not adjustable) F125L 2016	té fourche supérieur 160 mm ϕ 33mm (non ajustable)	1	F125L16
5	YC110-0202-07	Top Bar Mout CNC Φ 22.2 mm/height 18mm START Type BLACK	pontet guidon supérieur Φ 22.2 mm Type START NOIR	2	F125L16
4	YC110-0203-28	Lower Bar Mount CNC START type, not adjustable ϕ 22.2 / height 65 mm BLACK	Pontet guidon inférieur non ajustable type START ϕ 22.2 / hauteur 65 mm NOIR	2	F125L16
6	YC110-0212-02BK	YCF Front Number Plate BLACK	Plaque avant YCF NOIRE	1	P88s1314/SM12512/P12513/P15013/F125L16
7	297-46/23.5	Lower Taper roller bearing 46/23.5	roulement inférieur 46/23.5	1	ALL BIKES2012-16(BUT50A/F88s/F88se)
8	297-46/22	Top Taper roller bearing 46/22	roulement supérieur 46/22	1	ALL BIKES2012-16(BUT50A/F88s/F88se)
9	YC110-02-09	Top nut for steering ϕ 52	écrou crantellé colonne direction ϕ 52	1	ALL BIKES2012-2016
10	YC110-02-10	Washer for steering stem nut Φ 22.5 \times Φ 36 \times 0.7	joint colonne direction Φ 22.5 \times Φ 36 \times 0.7	3	ALL BIKES2012-2016
11	YC110-02-11	Nut for steering stem M22	écrou supérieur colnne direction M22	1	ALL BIKES2012-2016
12	YC110-0213-03	Number plate bracket long L=60mm H=53mm	support plaque avant L=60mm H=53mm	1	88P12/RS12/RSSA12/RS P12/SM12512/SM15012/F12513/F88s13-16/F88se1516/P88s13-15/F125L16
13	YC110-02-14-WH	Break Line Retainer White	guide durite sur plaque avant Blanc	1	ALL BIKES2012-2013/50A14-16/F88s14-16/F88se1516/P88s1415/F125L16
14	GB70-M8 \times 30	Stud screw M8X30	vis M8X30	4	ALL BIKES2012-16 (BUT50A)
15	GB70-M6 \times 25	Stud screw M6X25	vis M6X25	4	ALL BIKES2012-16 (BUT50A)
16	GB70-M6 \times 25	Stud screw M6X25	vis M6X25	4	F88s13-16/F88se1516/F125L16/F12513-16/F125s13-16/F125se1516/P88s13-15/P12513-16/P15013-16/SM13-16/SP13-16
17	GB70-M8 \times 25	Stud screw M8X25	vis M8X25	4	ALL BIKES2012-16 (BUT50A)
19	GB5787-M6 \times 16-W	Hex. Bolt with Flanged Face M6X16	vis M6X16	2	ALL BIKES2012-2016
20	GB9074.5-M6 \times 16-W	Plus screw M6X16 (for bottom front No plate)	vis m6x16 bas plaque No avant	1	50A14-16/F88s14-16/F88se1516/P88s1415/F125L16

20	GB9074.5-M6×25-W	Plus screw M6X25 (for top front No plate)	vis m6x25 haute plaque No avant	1	50A14-16/F88s14-16/F88se1516/P88s1415/F125L16
21	GB97-Φ4-W	flat washer φ4	rondelle φ4	2	ALL BIKES2012-16
22	GB818-M4×10-W	Plus screw M4×10	vis M4×10	2	ALL BIKES2012-16
23	GB93-Φ8-W	Spring washer Φ8mm	rondelle Φ8mm	4	ALL BIKES2012-2016
24	GB6170-M4-W	Nut M4	ecrou M4	2	50A14-16/F88s14-16/F88se1516/P88s1415/F125L16
25	YC110-02-047-BK	Complete Triple Clamp F125L 2016 MATT BLACK	Te Fourche Complet F125L 2016 NOIR MAT	1	F125L16
26	YC110-0203-14	Set of Bar mount not adjustable φ22.2mm/bottom 65mm BLACK F125L 2016	jeu pontet guidon non ajustable φ 22.2mm / pontet bas 65mm NOIR F125L 2016	1	F125L16
27	KRDIRECTION41-2	set of bearing for steering 41/24、41/22.5	kit rlt colonne direction 41/24、41/22.5	1	50A12-16/F88s13-16/F88se16/F125L16
28	FB13-9×10×17-W	Front Number plate spacer (Top) φ 8.5×10×17	entretoise Plaque numero avant (Haut) φ 8.5×10×17	1	ALL BIKES2013/50A14-16/F88s14-16/F88se1516/P88s1415/F125L16
29	FB13-9×10×7-W	Front Number plate spacer (Bottom) φ 8.5×10×7	entretoise Plaque numero avant (Bas) φ 8.5×10×7	1	F125L16
30	YC110-0600-02	Number plate bracket long TOP BLACK	support plaque avant NOIR	1	50A13-16/F88s13-16/F88se1516/F125L16
31	GB5787-M6×16-W	Hex. Bolt with Flanged Face M6X16	vis M6X16	1	ALL BIKES2012-2016

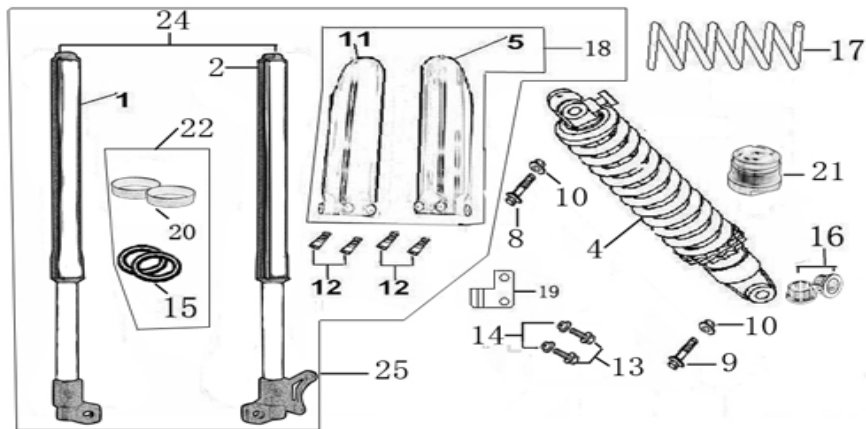
Front Fender



N	Ref.	Description	Français	Qty/ Bike	MODEL
1	YC110-032BK	YCF Front Fender with Holes 2013 BLACK	Gb avant YCF avec trous 2013 NOIR	1	F125L16/F12513/F125s13/SP113/SP213/SP313/SM125s13/
2	GB5787-M6×20-W	Hex. Bolt with flanged M6X20	vis M6X20	3	ALL BIKES

3	GB96-Φ6-W	Washer φ6×φ18mm	Rondelle φ6×φ18mm	3	ALL BIKES
3	YC110-03-01	Rubber washer Φ6×Φ18×4mm	caoutchouc Φ6×Φ18×4mm	6	ALL BIKES

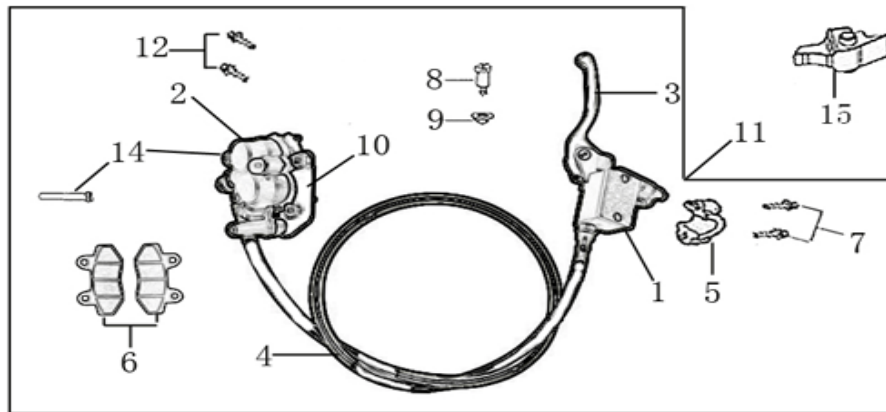
Front & Rear absorber



N	Ref.	Description	Français	Qty/ Bike	MODEL
1	YC110-0401-10	Front right fork (not adjustable) F125L 2016	Tube fourche droit F125L 2016	1	F125L16
2	YC110-0402-10	Front left fork (not adjustable) F125L 2016	Tube fourche gauche F125L 2016	1	F125L16
4	YC110-0404-70	Shock absorber L=275mm F125L 2016	Amortisseur L=275mm F125L 2016	1	F125L16
4	YC110-0422-01	Stick for Shock absorber L=220mm	Tube Acier mou maintient moto dans caisse L=220mm	1	F88s13-16/F125L16/F12513-16/F125s13-16/P88s13-15/P1251314/SM125s13-16
8	GB5787-M12×50-W	Hex.bolt with flanged face M12x1.25x50	vis M12x1.25x50	1	F88s13-16/F88se1516/F125L16/F12513-16/F125s13-16/F125se1516/SM125s13-16
9	GB5787-M12×45-W	Hex. Bolt with flanged M12X45	vis M12X45	1	F88s13-16/F88se1516/F125L16/F12513-16/F125s13-16/F125se1516/P88s13-15/P12513-16/P15013-16/SM13-16
10	GB6187-M12-W	Self-locking Nut M12	écrou M12	2	ALL BIKES2012-2016(BUT50A)
13	GB5787-M6×16-W	Plus screw M6X16	vis M6X16	2	ALL BIKES2012-2016
14	GB6177-M6-W	Hex. Flanged nut M6	écrou M6	2	ALL BIKES2013-15(BUT50A)/F88s16/F88se16/F125L16/F12516/F125s16/F125se16/SM125s16
15	YC110-0415-01	oil seal fork φ33×φ46×10.8mm	jt spy fourche diametre φ33×φ46×10.8mm	2	F125L16
16	YC110-0419	shock bottom spacer φ12mm (same for top/bottom) LB	entretoise amortisseur bas φ 12 mm pour bras mono LB	4	F88s13-16/F88se1516/F125L16/F12512-16/F125s12-16/F125se1516/SM125s12-16

19	YC110-0403-02	oil steel line retainer on left front fork	pas de durite sur protection fourche gauche	2	ALL BIKES2013-15(BUT50A)
	YC110-0421-01	oil steel line retainer on left front fork	pas de durite sur protection fourche gauche	1	ALL BIKES2013-15(BUT50A)
24	YC110-0400-11	Pair of fork (not adjustable) F125L 2016	Jeu de fourche F125L 2016	1	F125L16

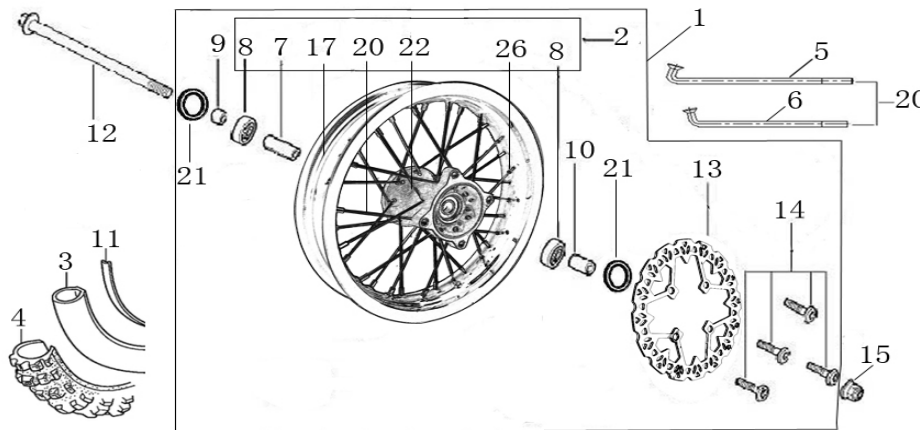
Front Brake Assy



N	Ref.	Description	Français	Qty/ Bike	MODEL
1	YC110-0501-0105	Front Brake Reservoir for 2 pump Φ 10	maitre cylindre frein avant pour étrier 2 pistons Φ 10	1	F125L16
2	YC110-0501-0209	Front Brake caliper for 2 pump w/t abestos Φ 10	étrier frein avant double pistons sans amiante Φ 10	1	F125L16
3	YC110-0501-014	Front brake lever 2014 With notch	LEVIER FREIN 2014	1	ALL BIKES2014-15(BUT50A)/ ALL BIKES2016(BUT50A/SP2/SP3)
4	YC110-0501-0312	Front brake steel line L=1080mm M10/ Φ 10 BLACK 2016	durite frein avant L=1080mm M10/ Φ 10 NOIR 2016	1	F125L16/F12516/F125s16/F125se16
5	YC110-0501-022	Brake perch bracket for double pump	demi cocotte frein avant pour frein double pistons	1	ALL BIKES2012-16(BUT50A)
6	YC110-0501-0417	Front Brake pads for double pump brake	jeu plaquette frein avant pour frein 2 pistons	2	F125L16
7	GB5787-M6 \times 22-G	Hex.bolt with flanged M6X22	vis M6X22	2	ALL BIKES2012-16(BUT50A)
8	HB06-M6 \times 25-G	Hex.bolt with flanged M6X25	vis M6X25	1	ALL BIKES2012-16(BUT50A)
9	GB6177-M6-G	Self-locking nut M6	écrou M6	1	ALL BIKES2012-16(BUT50A)

10	YC110-0501-030	Bracket for front brake 2 pumps	patte frein avant etrier 2 pistons	1	ALL BIKES2012-15 (BUT50A/F88s/F88se) /F125L16/F12516/F125s16/F125se16/P12516/P15016/SP116/SM16
11	YC110-0501-018	Front brake assy 2 pumps F125L 2016	kit frein avant 2 pistons avec gaine plastic F125L 2016	1	F125L16
12	GB70-M6×30-W	Stud screw M6X30	vis M6X30	2	ALL BIKES2012-16 (BUT50A)
14	YC110-1255-01	caliper screw for front brake L=53mm Army green	vis plaquette frein avant L=53mm	2	F125L16
15	YC110-0502-01	rubber for brake lever	caoutchouc levier frein avant	1	ALL BIKES2014-15(BUT50A) /ALL BIKES2016(BUT50A/SP2/SP3)

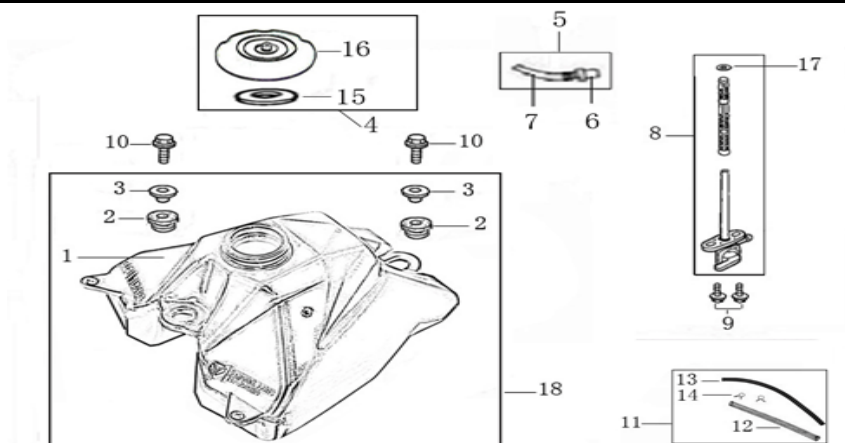
Front Wheel Assy



N	Ref.	Description	Français	Qty/ Bike	MODEL
1	YC110-06013	Complete STEEL Front wheel 1.4x14' with disk. Casting hub	roue avant complète ACIER 1.4x14' moyeux injecte avec disque	1	F125L16/F12512-15/F125s12-15/F125se15/P12513-15/P15012-15/SP112-15
2	YC110-0602-51	Complete STEEL Front wheel 1.4x14' without disk. Casting hub	roue avant complète ACIER 1.4x14' moyeux injecte sans disque	1	F125L16/F12512-16/F125s12-16/F125se16/P12513-16/P15013-16/SP112-15
3	CHAMBRE14	Tube for front tire 60/100-14' GL	chambre air 14' GL	1	F125L16/F12512-16/F125s12-16/F125se1516/P12513-16/P15013-16/SP113-16/SP213-16/SP313-16
	FB6170-M8-Cr	Tire valve nut M8	Ecrou M8 pour Chambre air	1	ALL BIKES
4	60/100/14	Front tyre 60/100/14' GUANGLI	pneu 60/100/14' GUANGLI	1	F125L16/F12512-16/F125s12-16/F125se1516/P12513-16/P15013-16/SP112-16
7	YC110-0601-02	Front axle bushing $\Phi 16 \times \Phi 22 \times 44$	entretoise central roue avant $\Phi 16 \times \Phi 22 \times 44$	1	ALL BIKES2013-15(BUT50A)/ALL BIKES2016(BUT50A/SP2/SP3)

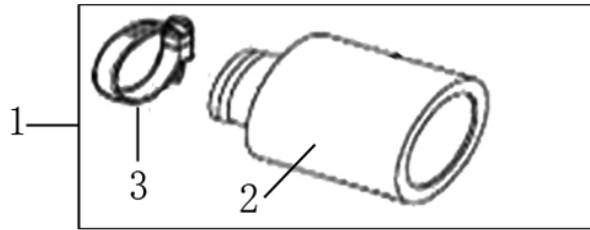
8	96140-6202-2Z	Ball bearing 6202-2Z $\Phi 35 \times \Phi 15 \times 11$	roulement roue 6202-2Z $\Phi 35 \times \Phi 15 \times 11$	2	ALL BIKES2012-2015 (BUT50A) / ALL BIKES2016 (BUT50A/SP2/SP3)
9	YC110-06-042	Front wheel spacer right $\phi 15 \times \Phi 22 \times 23 \text{mm}$	entretoise roue avant droite $\phi 15 \times \Phi 22 \times 23 \text{mm}$	1	ALL BIKES2012-2014 (BUT50A)/F125L16
10	YC110-06-052	Front wheel spacer left $\phi 15 \times \Phi 22 \times 33 \text{mm}$	entretoise roue avant gauche $\phi 15 \times \Phi 22 \times 33 \text{mm}$	1	ALL BIKES2012-2015 (BUT50A)/ALL BIKES2016(BUT50A/SP2/SP3)
11	YC110-06-01	tire lining for 1.4x14'	fond jante av 14'	1	F125L16/F12512-16/F125s12-16/F125se1516/P12513-16/P15013-16/SP112-16/SP212-16/SP312-16
12	YC110-06-061	Front Axle 215 mm with Self-locking nut M14 for Marzocchi style fork	axe de roue avant L=215 mm marzochci avec ecrou M14	1	ALLBIKES2013-16(BUT50A/SM)
13	YC110-0501-24	YCF front disk $\phi 220 \text{ mm}$	disque frein avant YCF $\phi 220 \text{ mm}$	1	ALL BIKES2013-15(BUT50A)/F125L16
14	GB70.2-M8x16	Screw for disk M8X16	vis disque frein M8X16	4	ALL BIKES2016 (BUT50A)
15	GB6187-M14-W	Self-locking nut M14	écrou roue avant M14	1	ALL BIKES2016 (BUT50A)
17	YC110-0601-01	STEEL Rim for Front wheel 1.4x14'	cerceau roue av 1,4x14' ACIER	1	F125L16/F12512-16/F125s12-16/F125se1516/P12513-16/P15013-16/SP112-16
20	JR14-14.5	set of front spoke 14' (147mmx32)	Jeu rayon avant 14' (147mmx32)	1	F125L16/F12512-16/F125s12-16/F125se1516/P12512-16/P15013-16/SP112-16/SP212-16/SP312-16
21	YC110-0611	OIL SEAL $\Phi 23 \times \Phi 35 \times 5$	joint spy roue $\Phi 23 \times \Phi 35 \times 5$	2	ALL BIKES2013-16(BUT50A)
22	YC110-0622-02	Front hub casting with oil seal	moyeux avant injectée avec joint spy	1	ALL BIKES2012-15 (BUT50A/SP1/SP11)/ALL BIKES 2016(BUT50A/SP)

Fuel Tank



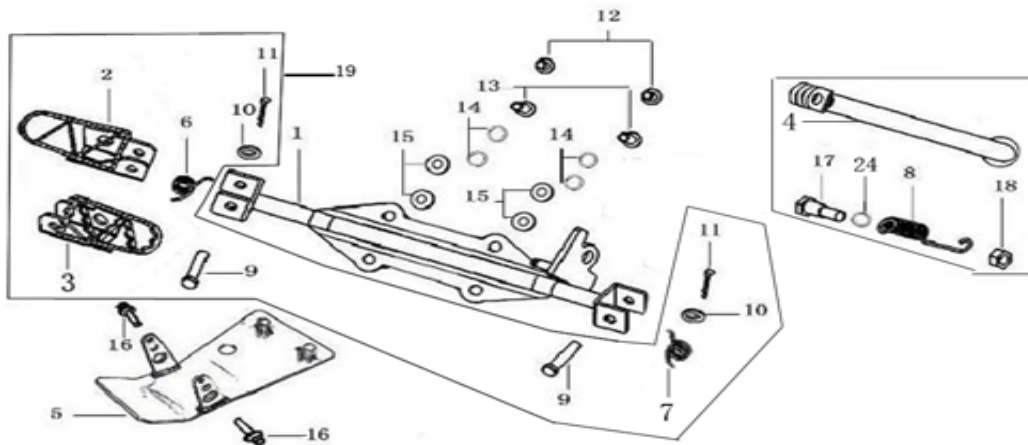
N	Ref.	Description	Français	Qty/ Bike	MODEL
---	------	-------------	----------	--------------	-------

1	YC110-0701-01	YCF Fuel tank with YC110-1910 1EA (suitable for pre 2013 bikes)	Reservoir YCF (Adaptable pour motos avant 2013)	1	ALL BIKES2013-16 (BUT50A)
2	YC110-07-01	Cushion for fuel tank	caoutchouc pour reservoir	2	ALL BIKES2011-16
3	YC110-07-02	Washer for fuel tank $\Phi 12 \times \Phi 30 \times 11$ mm	entretoise pour reservoir $\Phi 12 \times \Phi 30 \times 11$ mm	2	ALL BIKES2011-16
4	YC110-0702-01	YCF Tank cap plastic 2013	Bouchon reservoir plastique YCF 2013	1	ALL BIKES2013-16
5	YC125-0704-BK	Fuel tank valve BLACK	Valve prise air NOIR	1	ALL BIKES
6	YC110-0704-BK	Cap of Fuel tank valve BLACK	Capuchon Valve prise air NOIR	1	ALL BIKES
7	YC110-0705-BK	Fuel tank valve Hose L=40mm BLACK	Durite caoutchouc Vale prise air L=40mm NOIRE	1	ALL BIKES
8	YC110-0703	Fuel cock assy.	robinet essence	1	ALL BIKES
9	GB5787-M6×16-W	Hex. Bolt with flanged M6X16	vis M6X16	2	ALL BIKES2012-2016
10	GB5787-M8×25-B	Hex. Bolt with flanged M8X25 BLACK	vis M8X25 NOIR	2	50A13-16/F88s13-16/F88se1516/F125L16/F12513-16/F125s13-16/F125se1516/SM125s13-16
11	YC110-0706	fuel tank rubber line + spring $\Phi 4.5 \times \Phi 8.5 \times 210$ mm	durite reservoir avec ressort $\Phi 4.5 \times \Phi 8.5 \times 210$ mm	1	ALL BIKES
12	YC110-07061	fuel tank lspring L=180mm	ressort durite reservoir L=180mm	1	ALL BIKES
13	YC110-07062	fuel tank rubber line $\Phi 4.5 \times \Phi 8.5 \times 210$	durite reservoir $\Phi 4.5 \times \Phi 8.5 \times 210$	1	ALL BIKES
14	YC110-07063	Holding ring	collier FILTRE	2	ALL BIKES
15	YC110-0720-02	Rubber mat for tank cap plastic $\Phi 14 \times \Phi 52 \times 2$ mm Oil proof	Caoutchouc bouchon reservoir YCF $\Phi 14 \times \Phi 52 \times 2$ mm	1	ALL BIKES2013-16
17	YC110-0717	O-RING, $\Phi 11 \times 3$ mm For Fuel tank	Joint Thorique $\Phi 11 \times 3$ mm pour Reservoir	1	ALL BIKES2013-16 (BUT50A)
18	YC110-0718	YCF Complete fuel tank suitable for pre 2013 bikes (with YC110-07-01 2EA+YC110-07-02 2EA+YC110-1910 1EA)	Reservoir complet YCF 2013 (Adaptable pour motos avant 2013)	1	ALL BIKES2013-16 (BUT50A)
Air Filter					



N	Ref.	Description	Français	Qty/ Bike	MODEL
1	YC110-0802-01-RD	Air filter assy Φ 38mm 2014 (with YC110-0805 1EA)	filtre air Φ 38mm Complet 2014	1	F125L16/F12514-16/F125s14-16/F125se1516/P1251415/P1501415/SM125s14-16/SM1501415
2	YC110-0801-01-RD	Air filter Φ 38mm YCF LOGO 2014 RED	YCF filtre seul Φ 38mm 2014 ROUGE	1	F125L16/F12514-16/F125s14-16/F125se1516/P1251415/P1501415/SM125s14-16/SM1501415
3	YC110-0805	Holding ring ϕ 27- ϕ 51mm	collier Filtre ϕ 27- ϕ 51mm	1	ALL BIKES2012-2016 (BUT50A)

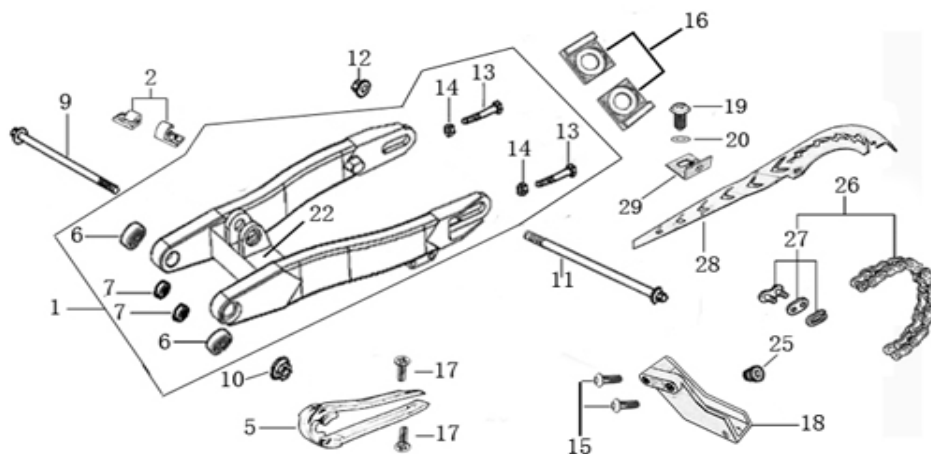
Foot Peg assy



N	Ref.	Description	Français	Qty/ Bike	MODEL
1	YC88-0901-01	Foot pegs bar START F88s GREY	barre repose pied Grise START F88s GRISE 2013	1	F88s13-16/F88se1516/F125L16
2	YC110-0902-01	Right foot peg Steel START / PILOT 2013 GREY	Repose pied Acier droit START / PILOT 2013 GRIS	1	F88s13-16/F88se1516/F125L16/F12513-16/F125s13-16/F125se1516/P88s13-15/P12513-16/P15013-16/SM13-16
3	YC110-0903-01	Left foot peg Steel START / PILOT 2013 GREY	Repose pied Acier gauche START / PILOT 2013 GRIS	1	F88s13-16/F88se1516/F125L16/F12513-16/F125s13-16/F125se1516/P88s13-15/P12513-16/P15013-16/SM13-16
4	YC110-196	Kick stand 280mm	bequille 280mm	1	F125L16/F12513-16/F125s13-16/F125se1516/P88s13-15/P12513-16/P15013-16/SM13-16
5	YC110-202-01	YCF Engine skid plate Steel START125 / PILOT /SM150 MATTE BLACK	Sabot moteur Acier YCF START125 / PILOT /SM150 NOIR MAT	1	F125L16/F12513-15/P12513-15/P15013-15/SM15013-15
6	YC110-09-01	Spring for right steel foot peg Φ 1.5 \times Φ 16.5 \times 10mm	ressort repose pied droit acier Φ 1.5 \times Φ 16.5 \times 10mm	1	ALL BIKES2013-2016(BUTSP1/SP2/SP3)

7	YC110-09-02	Spring for left steel foot peg Φ1.5×Φ16.5×10mm	ressort repose pied gauche acier Φ1.5×Φ16.5×10mm	1	ALL BIKES2013- 2016(BUTSP1/SP2/SP3)
8	YC110-19-01	spring for kick stand Φ2.5×Φ15×105	ressort bequille Φ2.5×Φ15×105	1	ALL BIKES2014- 16(BUTSP1/SP2/SP3)
9	GB882-Φ8×43-W	shaft pin for steel footpegs φ8×43	axe repose pied acier φ8×43	2	ALL BIKES2014- 16(BUTSP1/SP2/SP3)
10	GB97-Φ8-W	flat washer φ8×16×1	rondelle φ8×16×1	2	ALL BIKES2011-16
11	GB91-Φ2×25-W	Cotter pin 2.0×25	goupille 2.0×25	2	ALL BIKES2013-16
12	GB5787-M8×25-W	screw M8X25	vis M8x25	4	F88s13- 16/F88se1516/F125L16/F 12513-16/F125s13- 16/F125se1516/SM125s13- 16
14	GB93-Φ8-W	Foot pegs bar washer φ8	rondelle φ8	4	F88s13- 16/F88se1516/F125L16/F 12513-16/F125s13- 16/F125se1516/SM125s13- 16
15	GB97-Φ8-W	flat washer φ8×16×1	rondelle φ8×16×1	4	F88s13- 16/F88se1516/F125L16/F 12513-16/F125s13- 16/F125se1516/SM125s13- 16
16	GB5787-M6×16-W	screw M6X16 for skid plate	vis sabot M6X16	2	ALL BIKES2012-2016
17	FB02-M10×1.5×30I	Stepped screw M10X35 for kick stand	vis bequille M10X35	1	ALL BIKES2014- 16(BUTSP1/SP2/SP3)
18	GB6170-M10-G	Hex. Nut M10	ecrou bequille M10	1	ALL BIKES2014- 16(BUTSP1/SP2/SP3)
19	YC110-0902/10	Steel foot pegs set START / PILOT 2013 GREY	Jeu repose pied Acier START / PILOT 2013 GRIS	1	F88s13- 16/F88se1516/F125L16/F 12513-16/F125s13- 16/F125se1516/P88s13- 15/P12513-16/P15013- 16/SM13-16
24	GB93-Φ10-W	Standard spring washer φ10	rondelle φ10	1	ALL BIKES2014- 16(BUTSP1/SP2/SP3)

Swing Arm assy

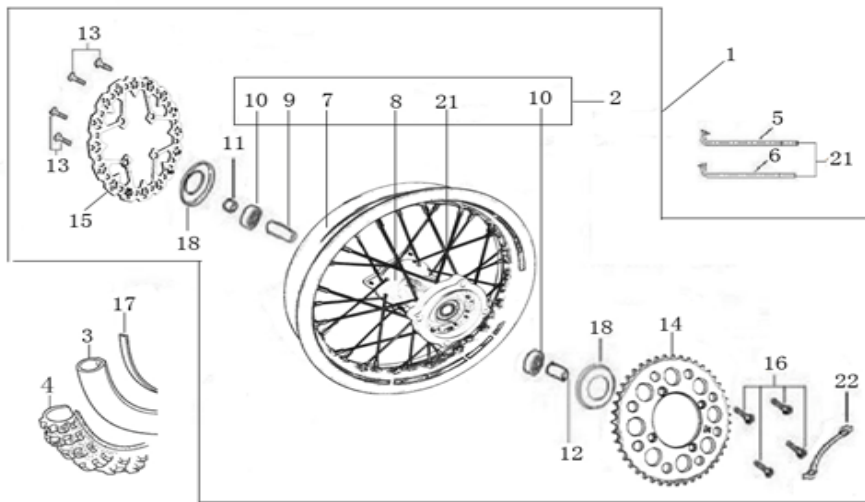


N	Ref.	Description	Français	Qty/ Bike	MODEL
---	------	-------------	----------	--------------	-------

1	YC110-10014	swing arm mono Steel 390mm 2014	bras oscillant acier mono Acier 390mm 2014	1	F88s1415/F88se15/F125L16/F12514-16/F125s14-16/F125se1516/F88s1415/P12514/P15014/SM125s1416/SM15014
2	YC110-10-014-BK	Rear brake clip for BLACK	attache durite frein arriere NOIR	1	ALL BIKES2012-15(BUTSP1/SP2/SP3)/ALL BIKES2016 (BUTSP2/SP3)
5	YC110-10-023	YCF Chain slider for Steel swing arm 390mm	patin chaine court YCF pour bras Acier 390mm	1	F88s12-16/F88se1516/F125L16/F12512-16/F125s12-16/F125se1516/F88s12-15/P1251314/P1501314/SM125s13-16/SM1501314
6	6001/28-12-08	Swing arm bearing $\phi 28 \times \phi 12 \times 8 \text{mm}$	roulement bras oscillant $\phi 28 \times \phi 12 \times 8 \text{mm}$	2	ALL BIKES2009-16
7	YC110-1001-013	Spacer for swing arm $\Phi 12 \times \Phi 20 \times 11.5$	entretoise $\Phi 12 \times \Phi 20 \times 11.5$	2	F88s12-16/F88se1516/F125L16/F12512-16/F125s12-16/F125se1516/F88s12-15/P12513-16/P15013-16/SM12-16/SP116
9	YC110-10-034	Swing arm shaft with self lock nut M12 L=192mm	axe bras oscillant $\phi 10$ avec ecrou M12 L=192mm	1	F88s13-16/F88se1516/F125L16/F12513-16/F125s13-16/F125se1516/SM125s1316
10	GB6187-M12-W	Self locking nut M12	ecrou bras oscillant M12	1	ALL BIKES2012-2016(BUT50A)
11	YC110-11-074	Rear wheel axle L=215mm with Self locking nut M14	axe roue arriere avec ecrou L=215mm avec ecrou M14	1	F88s13-16/F88se1516/F125L16/F12513-16/F125s13-16/F125se1516/F88s13-15/P12513-16/P15013-16/SP116
12	GB6187-M14-W	Self locking nut M14	ecrou axe roue arriere M14	1	ALL BIKES2012-16(BUT50A)
13	GB5783-M8x40-W	Exterior hex. Bolt M8X40	vis tendeur chaine M8x40	2	ALL BIKES2012-16 (BUT50A)
14	FB6170-M8-W	Hex. Nut M8	ecrou tendeur chaine M8	2	ALL BIKES2012-16(BUT50A)
15	GB70.2-M8x25-Cr	Stud screw M8X25	vis M8x25	2	5011/F88s12-16/F88se1516/F125L16
16	YC110-11-08	Block axle SILVER	Tendeur chaine SILVER	2	F88s12-16/F88se1516/F125L16/F12512-16/F125s12-16/F125se1516/F88s13-15/P12513-16/P15013-16/SM12-16/SP116
17	GB819-M6x16-W	Plus screw M6X16	vis m6x16	4	ALL BIKES2015-16(BUTSP2/SP3)
	GB6100-M6-CW	nut M6x25mm	Vis M6x25mm	4	ALL BIKES2015-16(BUTSP2/SP3)
18	YC88-1004	chain guide assy WHITE	guide chaine BLANC	1	5011/F88s12-1516/F88se1516/F125L16
19	GB818-M6x12-W	Plus screw M6x12	vis M6x12	3	ALL BIKES2012-16(BUT50A)
20	GB97- $\Phi 6$	Flat washer $\phi 6$	rondelle $\phi 6$	3	ALL BIKES2012-16

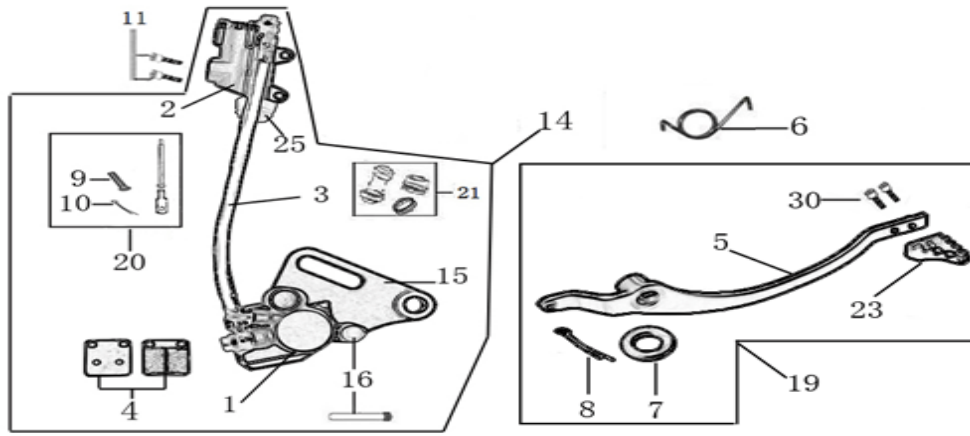
26	420H-104T	Chain 420H-104T, normal	chaîne 420 104 maillons standart	1	F125L16/F12512-16/F125s12-16/F125se1516/P1251314/P1501314/SM125s12-16/SM15012-14
27	AR-420	Chain link	Attache rapide chaîne	1	ALL BIKES
28	YC110-0600-01	Chain box protection	Protection chaîne plastique	1	ALL BIKES2012-2015(BUT50A)/ALL BIKES2016(BUT50A/F88s/F88se)
29	YC110-0600-02	Chain box protection support	Support Protection chaîne plastique	1	ALL BIKES2012-2016(BUT50A)
29	YC110-0600-021	Chain box protection support	Support Protection chaîne plastique	1	ALL BIKES2012-2016(BUT50A)

Rear Wheel Assy



N	Ref.	Description	Français	Qty/ Bike	MODEL
1	YC110-11012	Complete STEEL Rear wheel 1.85x12' with disk. Casting hub	Roue arriere complète ACIER 1.85x12' moyeux injecte avec disque	1	F125L16/F12512-15/F125s12-15/F125se15/P12513-15/P15013-15
2	YC110-1102-21	Complete STEEL Rear wheel 1.85x12' without disk. Casting hub	roue arriere complète ACIER 1.85x12' moyeux injecte sans disque	1	F125L16/F12512-16/F125s12-16/F125se1516/P12513-16/P15013-16
3	CHAMBRE12	Tube for Rear tire 3.00-12' GL	chambre air 12' standard GL	1	ALL BIKES2012-2016(BUT50A/F88s/F88se/P88s)
	FB6170-M8-Cr	Tire valve nut M8	Ecrou M8 Chambre a air	1	ALL BIKES
4	300/12	Rear tyre 80/100-12' GUANGLI	pneu arrière 80/100/12 GUANGLI	1	F125L16/F12512-16/F125s12-16/F125se16/P12513-16/P15013-16/SP112-16
7	YC110-1101-012	STEEL Rim 1.85x12'	cerceau roue 1,85x12' ACIER	1	F125L16/F12512-16/F125s12-16/F125se1516/P12513-16/P15013-16/SP112-16

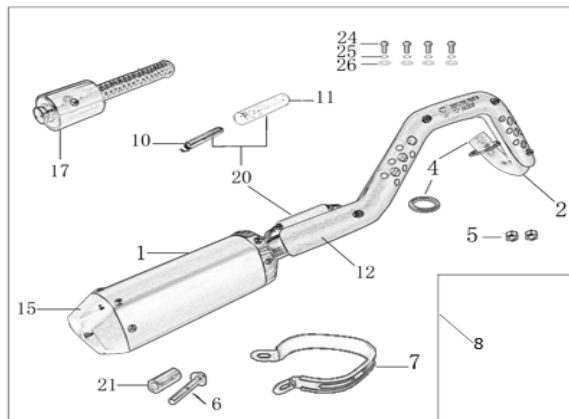
8	YC110-1122-02	Rear wheel hub Casting with oil seal	moyeux arrière injectée avec joint spy	1	ALL BIKES2012-16 (BUT50A/SP)
10	96140-6202-2Z	Ball bearing 6202-2Z $\Phi 35 \times \Phi 15 \times 11$	roulement roue 6202-2Z $\Phi 35 \times \Phi 15 \times 11$	2	ALL BIKES2012-2015 (BUT50A) / ALL BIKES2016 (BUT50A/SP2/SP3)
11	YC110-11-041	Rear wheel spacer right $\Phi 15 \times \Phi 22 \times 29$ mm	entretoise roue arriere droite $\Phi 15 \times \Phi 22 \times 29$ mm	1	F88s12-16/F88se1516/F125L16/F12512-16/F125s12-16/F125se1516/P88s12-15/P12513-16/P15013-16/SM12-16/SP116
12	YC110-11-052	Rear wheel spacer left $\Phi 15 \times \Phi 22 \times 38$ mm	entretoise roue arriere gauche $\Phi 15 \times \Phi 22 \times 38$ mm	1	F88s12-16/F88se1516/F125L16/F12512-16/F125s12-16/F125se1516/P88s12-15/P12513-16/P15013-16/SM12-16/SP116
13	GB70.2-M8×16	Screw for disk M8X16	vis disque frein M8X16	4	ALL BIKES2016 (BUT50A)
14	YC110-11-06/45	YCF Driven sprocket 420-45T	couronne acier 45T YCF	1	50A16/F125L16/F12512-16/F125s12-16/F125se1516/P12513-16/P15013-16/SM12-16
15	YC110-12-04	YCF Rear Brake disc $\phi 200$ mm	Disque frein arrière $\phi 200$ mm YCF	1	ALL BIKES2013-15(BUT50A)/F125L16
16	GB5783-M8×25-W	Exterior Hex.Bolt M8X25	vis M8x25	4	F88s13-16/F88se1516/F125L16/F12513-16/F125s13-16/F125se1516/P88s13-15/P12513-16/P15013-16/SM13-16
17	YC110-11-01	tire lining 12"	fond jante 12'	1	ALL BIKES2012-2015(BUT50A/F88s/F88se/P88s)/ALL BIKES2016(BUT50A/F88s/F88se)
18	YC110-0611	OIL SEAL $\Phi 23 \times \Phi 35 \times 5$	joint spy roue $\Phi 23 \times \Phi 35 \times 5$	2	ALL BIKES2013-16(BUT50A)
21	JR12-12.7	set of spoke 12' (125mm×16+128mm×16)	jeu rayon arrière 12' (125mm×16+128mm×16)	1	F125L16/F12513-16/F125s13-16/F125se1516/P12513-16/P15013-16/SP113-16
22	YC110-11-03	Sprocket Locking piece	block couronne	2	ALL BIKES2013-16 (BUTSP1/SP2/SP3)
REAR BRAKE					



N	Ref.	Description	Français	Qty/ Bike	MODEL
1	YC110-1201-10	Rear Caliper 1 pistons Φ 10	étrier frein arrière 1 piston sans amiante Φ 10	1	F125L16
2	YC110-1201026	Rear reservoir Φ 10	maître cylindre frein arrière avec embout durite Φ 10	1	F125L16
3	YC110-1201038	Oil steel tube L=410mm Φ 10/10	durite frein arrière L=410mm Φ 10/10	1	F125L16
4	YC110-120104	Friction pad for 1 piston brake	plaquette frein arrière 1 piston	2	F88s12-16/F88se1516/F125L16
5	YC110-1205-03	Steel brake pedal START F88s	pédale de frein START F88s	1	F88s12-16/F88se1516/F125L16
6	YC110-21-01	Spring for Steel brake pedal' Φ 3 \times Φ 32 \times 7mm	ressort pour pédale de frein Acier Φ 3 \times Φ 32 \times 7mm	1	ALL BIKES2013-14(BUT50A)/ALL BIKES2015-2016(BUT50A/SP1/SP2/SP3)
7	FB20-15 \times 25 \times 2-W	Flat washer Φ 14.5 \times Φ 25 \times 2	rondelle Φ 14.5 \times Φ 25 \times 2	1	F88s13-16/F88se1516/F125L16/F12513-16/F125s13-16/F125se1516/SM125s13-16
8	GB91- Φ 2.5 \times 30-W	Slit Pin Φ 2.5 \times 30mm	goupille Φ 2.5 \times 30mm	1	F88s13-16/F88se1516/F125L16/F12513-16/F125s13-16/F125se1516/SM125s13-16
9	119.1-07016	Pin shaft 7 \times 16mm	axe 7 \times 16mm	1	ALL BIKES2012-16 (BUT50A)
10	GB91- Φ 1.6 \times 16-W	Split pin 1.6 \times 16mm	goupille 1.6 \times 16mm	1	ALL BIKES2012-16 (BUT50A)
11	GB70-M6 \times 20	Hex. Bolt M6 \times 20	vis M6 \times 20	2	ALL BIKES2013-16(BUT50A)
14	YC110-12012-29	Rear brake aasy 1 piston L=410mm Φ 10/10 F125L 2016	Kit frein arriere 1 piston avec gaine plastic L=410mm Φ 10/10 F125L 2016	1	F125L16
15	YC110-1201-01	Rear brake bracket T=5MM	patte fixation étrier frein arriere T=5MM	1	ALL BIKES2012-15(BUT50A)/ALL BIKES2016(BUT50A/SP2/SP3)

16	YC110-1255	Rear Brake pads Screw L=38mm	Vis plaquette AR L=38mm	2	ALL BIKES2012-15(BUT50A)/ALL BIKES2016(BUT50A/SP2/SP3)
19	YC110-213	Steel Brake pedal	pédale de frein Acier	1	5011/F88s12-16/F88se1516/F125L16
20	YC110-12021	Rear reservoir push stick L=115mm	Tige poussoir maitre cylindre L=115mm	1	F88s13-16/F88se1516/F125L16/F12513-16/F125s13-16/F125se1516/SM125s13-16
21	YC110-120110	rubber for rear caliper	jeu de caoutchouc d'etrier frein arriere	1	ALL BIKES2012-2015 (BUT50A) /F88s16/F88se16/F125L16/F12516/F125s16/F125se16/SM125s16
23	YC110-21-10	Steel brake pedal end cap	embout pédale de frein Acier	1	F88s12-16/F88se1516/F125L16/F12512-16/F125s12-16/F125se1516/P88s12-15/P12513-16/P15013-16/SM12-16
25	YC110-12025	Rubber for REAR RESERVOIR PUSH STICK	Caoutchouc tige maitre cylindre frein arrier	1	ALL BIKES2012-2015 (BUT50A) /F88s16/F88se16/F125L16/F12516/F125s16/F125se16/SM125s16
30	GB70-M6×16-Cr	Hex. Bolt M6x16	vis M6x16	2	F88s13-16/F88se1516/F125L16/F12513-16/F125s13-16/F125se1516/P88s13-15/P12513-16/P15013-16/SM13-16

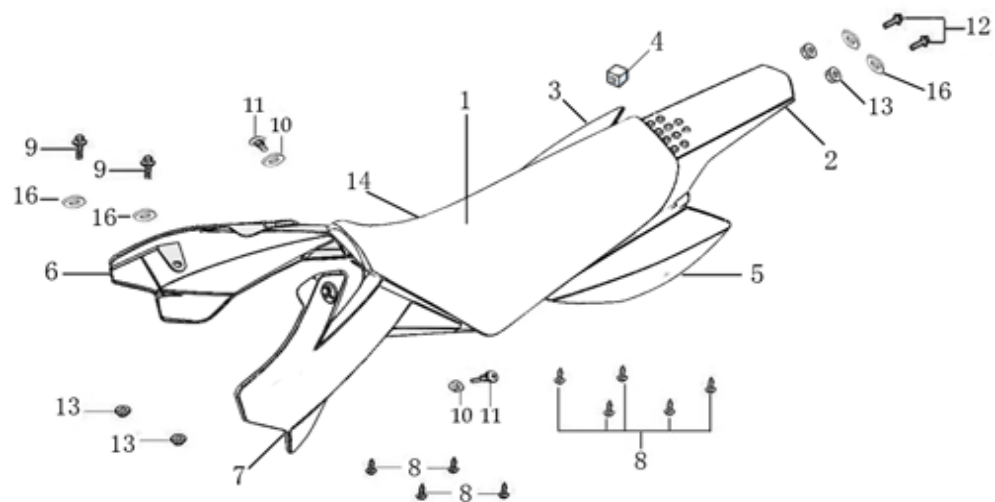
Exhaust system



N	Ref.	Description	Français	Qty/ Bike	MODEL
1	YC110-13016-GY	YCF Muffler 94db START L=295mm (1 springs) 2015 GREY	silencieux YCF 94db 2015 GRISE	1	F88s1516/F88se1516/F125L16/F1251516/F125s1516/F125se1516/P88s15/P1251516/P1501516/SM1516
2	YC110-13022-02	Exhaust pipe with protection plate Φ 28 mm START 2013	collecteur avec plaque Φ 28 mm START 2013	1	F88s13-16/F88se1516/F125L16/F12513-16/F125s13-16/F125se1516/SM125s13-16
4	18291/152FMH	Exhaust pipe washer ϕ 32 \times ϕ 25.5 \times 4	joint pot ϕ 32 \times ϕ 25.5 \times 4	1	ALL BIKES2012-2016 (BUT50A)
5	GB6170-M6-W	Hex flanged self locking nut M6	écrou M6	2	ALL BIKES
6	GB5787-M8×40-W	Hex. Bolt with flanged M8x40	vis M8x40	1	F88s13-16/F88se1516/F125L16/F12513-16/F125s13-16/F125se1516/SM125s13-16/SP113-16/SP213-16/SP313-16

7	YC110-13-04	Hoop for muffler YCF START 2011(with FB13- Φ 10 \times Φ 14 \times 23-W 1EA+GB5787-M8 \times 40-W 1EA)	Attache silencieux YCF START 2011	1	5011/F88s12-16/F88se1516/F125L16/F12512-16/F125s12-16/F125se1516/F88s12-15/P12513-16/P15012-16/SP112-16/SM12-16
8	YC110-136-GY	START Muffler& Exhaust pipe assy YCF 94db (1 spring)	Echappement complet YCF 94db START (1 ressort)	1	F88s1516/F88se1516/F125L16/F1251516/F125s1516/F125se1516/SM125s1516
10	YC110-13-201	muffler spring Φ 6.5 \times Φ 9 \times 50mm	ressort pot Φ 6.5 \times Φ 9 \times 50mm	1	ALL BIKES2012-14(BUT50A)/ALL BIKES2015-16 (BUT50A/SP)
11	YC110-138	rubber for muffler spring	caoutchouc ressort pot	1	ALL BIKES2012-16(BUT50A)
12	YC110-1312	Protection for exaust pipe START SM125s 2013	Grille pot START SM125s	1	F88s13-16/F88se1516/F125L16/F12513-16/F125s13-16/F125se1516/SM125s13-16
15	YC110-13-32	Muffler end cap YCF	Emout silencieux YCF	1	5011/F88s12-16/F88se1516/F125L16/F12512-16/F125s12-16/F125se1516/F88s12-15/P12513-16/P15013-16/SM12-16/SP113-16
17	YC110-13-301	Noise reducer (spark arrestor) YCF START	Bride de pot YCF START	1	F88s12-16/F88se1516/F125L16/F12512-16/F125s12-16/F125se1516/F88s12-15/P12513-16/P15013-16/SM12-16/SP112-16
20	YC110-13-21	muffler spring with rubber	ressort pot avec le caoutchouc	1	ALL BIKES2012-14(BUT50A)/ALL BIKES2015-16 (BUT50A/SP)
21	FB13-10 \times 14 \times 23-W	Muffler Hoop spacer ϕ 10 \times ϕ 14 \times 23mm	Entretoise attache silencieux ϕ 10 \times ϕ 14 \times 23mm	1	F88s13-16/F88se16/F125L16/F12513-16/F125s13-16/F125se1516/SM125s13-16
24	GB70.2-M6 \times 10-Cr	Plus screw M6 \times 10	vis M6 \times 10	4	ALL BIKES2013-16
25	GB93- Φ 6-W	Standard spring washer ϕ 6	rondelle ϕ 6	4	ALL BIKES2013-16
26	GB97- Φ 6-W	flat washer ϕ 6	rondelle ϕ 6	4	ALL BIKES2012-16

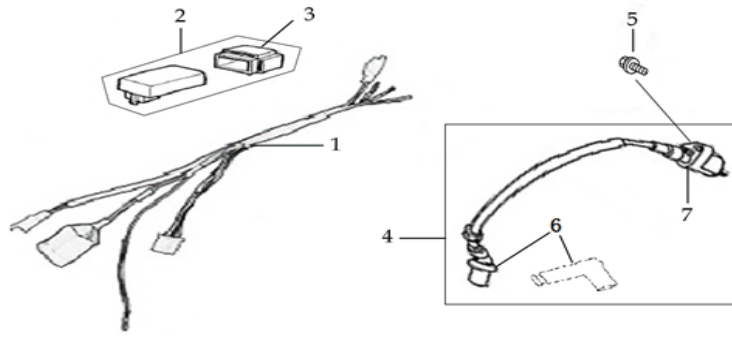
Seat & Plastic kit



N	Ref.	Description	Français	Qty/ Bike	MODEL
---	------	-------------	----------	--------------	-------

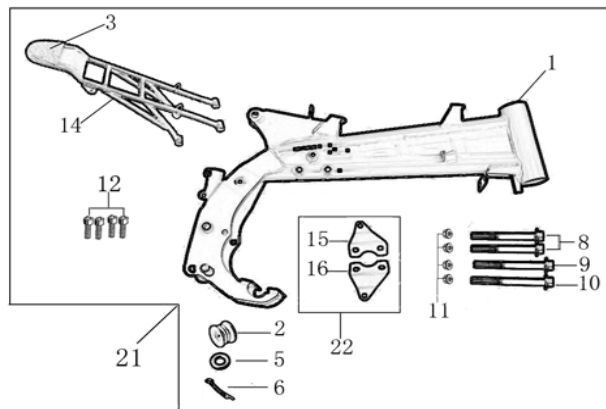
1	YC110-1401	CRF 50 Seat assy L=480mm	selle CRF 50	1	F125L16/F88s12-15/F88se15/F12512-15/F125s12-15/F125se15/P88s12-15/P1251314/SM125s12-15
2	YC110-14-012BK	YCF Rear fender 2013 BLACK	Garde boue arrière YCF 2013 avec Picots NOIR	1	F88s1314/F125L16/F1251314/F125s1314/SPII1314/SPII1314/SM125s1314/
3	YC110-14-022BK	YCF right side plastic BLACK	Plaque latérale droite YCF NOIRE	1	SM12512/P88s1314/F125L16/P1251314/P1501314
4	YC110-14-03	Cushion for right side plastic	caoutchouc plaque laterale droite	1	ALL BIKES
5	YC110-14-042BK	YCF left side plastic BLACK	Plaque laterale gauche YCF NOIRE	1	SM12512/P88s1314/F125L16/P1251314/P1501314
6	YC110-14-052BK	YCF Right shroud BLACK	Ouie radiateur droite YCF NOIRE	1	ALL BIKES2015-16(BUT50A/50E)
7	YC110-14-062BK	YCF Left side shroud BLACK	Ouie radiateur gauche YCF NOIRE	1	ALL BIKES2015-16(BUT50A/50E)
8	GB845-ST4.8x16-G	Screw for plastic kit ST4.8x16	vis plastique ST4.8x16	9	ALL BIKES2012-16
9	GB5787-M6x20-W	hex. Bolt with flanged M6x20	vis M6x20	2	ALL BIKES
10	YC110-02-13	Rubber washer $\Phi 6 \times \Phi 14 \times 3$ mm	joint caoutchouc $\Phi 6 \times \Phi 14 \times 3$ mm	2	ALL BIKES2012-16
11	FB5787-M5x12-W	hex. Bolt with flanged M5x12	vis M5x12	2	ALL BIKES2012-16
11	GB96- $\Phi 5$ -W	flat washer $\Phi 5 \times \Phi 12$	rondelle $\Phi 5 \times \Phi 12$	2	ALL BIKES2015-16
12	GB5787-M6x20-B	hex. Bolt with flanged M6x20 BLACK	vis M6x20 NOIR	2	ALL BIKES2012-16
13	GB6177-M6-W	Hex. Flanged nut M6	écrou M6	2	ALL BIKES2012-16
14	YC110-14021	START seat cover	Housse selle START	1	F88s12-15/F88se15/f125116/F12512-15/F125s12-15/F125se15/P88s12-15/P1251314/SM125s12-15
16	YC110-03-01	Rubber washer $\Phi 6 \times \Phi 18 \times 4$ mm	joint caoutchouc $\Phi 6 \times \Phi 18 \times 4$ mm	4	ALL BIKES2012-16
16	GB96- $\Phi 6$	flat washer $\phi 6$	rondelle $\phi 6$	4	ALL BIKES2012-16

ELECTRIC



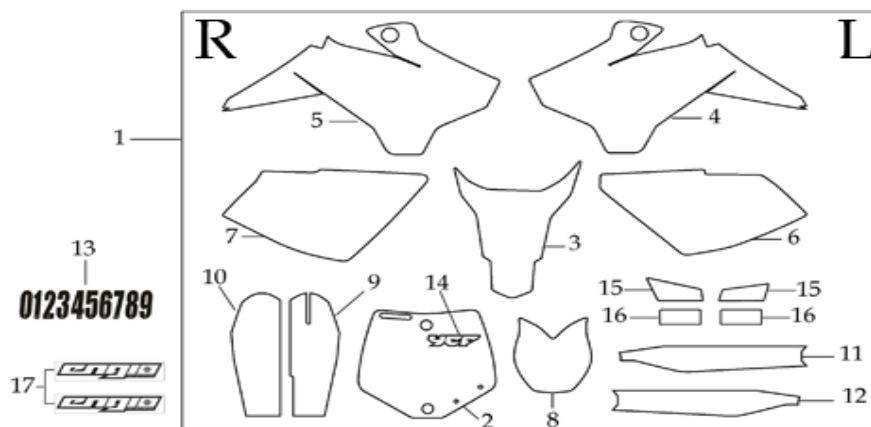
N	Ref.	Description	Français	Qty/ Bike	MODEL
1	YC110-1501	Wire harness 125CC	Faisceaux électrique 125CC	1	F125L16/F12512-16/F125s12-16/P12513-15/P15013-16/SP112-16/SP212-16/SM12-16
2	YC110-1503	CDI Ignitor assy.125cc	CDI 125cc	1	F125L16/F12512-16/F125s12-16/F125se1516/P12513-15/P15013-16/SM12-16/SP112-16/SP212-16
3	YC110-1501-03	Ignitor rubber	caoutchouc cdi	1	ALL BIKES2012-16 (BUT50A/SP3)
4	YC110-1504-05	Ignitor coil L=160mm	bobine haute tension L=160mm	1	F88s13-16/F88se1516/F125L16
5	GB5787-M6x20	Hex. Bolt with flanged M6x20	vis M6x20	1	ALL BIKES2013-16(BUT50A/SP3)
6	YC110-1505	anti interference red	anti parasite rouge	1	ALL BIKES2012-2016 (BUT50A/SP3)
7	YC110-1504	Ignitor coil	bobine haute tension	1	ALL BIKES2012-2016 (BUT50A/SP3)

Frame



N	Ref.	Description	Français	Qty/ Bike	MODEL
1	YC88-172-WH	START F88s Frame mono swing arm WHITE	Cadre chromolly START F88s bras mono BLANC	1	881012/F88s12-15/F125L16
2	YC110-2201	YCF Chain tensioner component	roulette chaine YCF	1	ALL BIKES2011-2016 (BUT50A)

3	YC110-0700-11	Tail cover sponge	Mousse Boucle arriere	1	ALL BIKES2014-16(BUT50A/SP3)
5	GB97-Φ10-W	Flat washer φ10x17x2	rondelle φ10x17x2	1	ALL BIKES2014-16 (BUT50A)
6	GB91-Φ2×25-W	cotter pin φ2.0×25	goupille φ2.0×25	1	ALL BIKES2013-16
8	GB5787-M8×70-W	Hex. Bolt with flanger M8x70	vis M8x70	2	F125L16/F12513-16/F125s13-16/F125se1516/SM125s13-16
9	GB5787-M8×110-W	Hex. Bolt with flanger face M8X110	vis m8x110	1	F88s13-16/F88se1516/F125L16/F12513-16/F125s13-16/F125se1516/P88s13-15/P12513-16/P1513-16/P15013-16/SM13-16
9	GB5787-M8×105-W	Hex. Bolt with flanger M8x105	vis M8x105	1	F125L16/F12513-16/F125s13-16/F125se1516/SM125s13-16/SP13-16/SP213-16/SP313-16
10	GB6187-M8-W	Self locking nut M8	ecrou M8	2	ALL BIKES
12	GB70-M8×20	Hex. Bolt M8X20	vis M8x20	2	F88s13-16/F88se1516/F125L16/F12513-16/F125s13-16/F125se1516/SP13-16/SP213-16/SP313-16/SM125s13-16
12	GB70-M8×25	Hex. Bolt with flanger M8x25	vis boucle arriere M8x25	2	F125L16/F12513-16/F125s13-16/F125se1516/P88s13-15/P12513-16/P15013-16/SM13-16
14	YC88-16-020	START F88s rear frame part BLACK	Boucle arrière START F88s NOIRE	1	F88s12-16/F125L16
15	YC88-16-030-BK	frame engine pads left START F88s BLACK	patte de cadre gauche START F88s NOIRE	1	F88s12-16/F125L16
16	YC88-16-040-BK	frame engine pads right START F88s BLACK	patte de cadre droite START F88s NOIRE	1	F88s13-16/F88se1516/F125L16
21	YC88-161-WH	complète frame mono swing arm START F88s WHITE	cadre complet bras mono START F88s BLANC	1	F88s13-15/F125L16
22	YC110-16-063-BK	set of engine pads START F88s BLACK	jeu de patte de cadre START F88s NOIRE	1	8811/F88s13-16/F125L16
	YC88-172-01	Cradle Aluminum alloy	plaque renfort aluminium 88	1	F88s12-16/F88se1516/F125L16
	GB70.2-M8×25	screw M8x25	vis M8x25	4	F88s1516/F88se1516/F125L16
GRAPHICS					



N	Ref.	Description	Français	Qty/ Bike	MODEL
1	KDF125L2016	F125 LITE complete graphic kit 2016	Kit deco complet F125 LITE 2016	1	F125L16
2	YC110-33-012	START F125 LITE Front plate graphic 2016	Sticker Plaque avant START F125 LITE 2016	1	F125L16
3	YC110-33-022	Rear mudguard graphic F125 LITE 2016	Sticker GB Arriere F125 LITE 2016	1	F125L16
4	YC110-33-032	Left shrouder graphic F125 LITE 2016	Sticker Ouie gauche radiateur F125 LITE 2016	1	F125L16
5	YC110-33-042	Right shrouder graphic F125 LITE 2016	Sticker Ouie droite radiateur F125 LITE 2016	1	F125L16
	YC110-1909	Sticker FACTORY Shock Absorber	Autocollant FACTORY Amortisseur	1	ALL BIKES2013-16 (BUT50A/SP3)
	YC110-1910	GAS TANK STICKER	STICKER RESERVOIR	1	ALL BIKES2013-16(BUT50A)
	YC110-1901	Sticker Chain	Autocollant Chaine	1	ALL BIKES2013-16
	YC110-1902	Sticker Tire	Autocollant Pression Pneu	1	ALL BIKES2013-16
	YC110-1903	Sticker Warning OIL Level	Autocollant Attention Niveau Huile	1	ALL BIKES2013-16
	YC110-1904	Sticker Rear Mudguard 70×57mm	Autocollant garde boue arriere 70×57mm	1	ALL BIKES2013-16
	YC110-1905	Sticker CE	Autocollant CE	1	ALL BIKES2013-16

YC110-1906	Warning sticker	Sticker Attention	1	ALL BIKES2013-16
YC110-1907	Warning Sticker Transport	Sticker Caisse Avertissement Transport	1	ALL BIKES2013-16
YC110-1908	Warning Sticker Shosk Absorber	Sticker Avertissement Amortisseur	1	ALL BIKES2013-16

ENGINES

MOTEUR120-2	ENGINE YX120-2	MOTEUR YX120-2	1	F125L16
17311/152FMIFA56-2	Inlet Pipe,Pro R-START 125 2012	PIPE ADMISSION R-START 125 2012	1	F125L16/F12513-16/F125s13-16/F125se1516/P12513-16/P15013-16/SM13-16
17332	carburettor paper gasket Φ 28	joint papier carburateur Φ 28	1	ALL BIKES2015-16 (BUT50A/SP3190)
17332/152FMH01	Intake Gasket	JT PAPIER PIPE ADMISSION	1	ALL BIKES2015-16 (BUT50A/SP3190)
F00C039	carburettor isolating gasket Φ 27.5	joint plastique carburateur Φ 27.5	1	ALL BIKES2015-16 (BUT50A/SP3190)
RCSC-BK	Right crankcase small Cover 88/125 2014 BLACK	DEMI CARTER EMBRAYAGE NOIR 88/125	1	F88s14-16/F88se1516/F125L16/F12514-16/F125s14-16/F125se1516/P88s1415/P12514-16/SM125s14-16
43451/152FMH	STARTER KICK SMALL HOLE	KICK PETIT DIAMETRE	1	F88s13-16/F88se1516/F125L16/F12513-16/F125s13-16/F125se1516/SM125s13-16
24700/152FMH	Gearshift Pedal	SELECTEUR	1	F125L16/F12513-16/P12513-16/P15013-16/SM15013-16/SP13-16/SP213-16/SP313-16

KIT CARBU

MOLKT24	Carburetor MOLKT24 with main jet 88 and slow jet 35	Carburateur MOLKT24 GICLEUR 88 GICLEUR 35	1	F125L16
---------	---	---	---	---------

CARTONS - CAISSES MOTOS

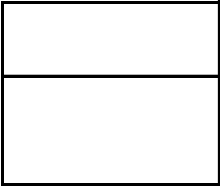
YC110-CARTON-RS	BIKE BOX R START 1470×380×820mm	CARTON EMBALLAGE MOTO R START	1	F88s13-16/F125L16/F12512-16/F125s12-16/P88s13-15/P12513-14/SM125s13-15
YC110-FOAMBOX	Foam box 2014 420×340×160mm	Cale PS	1	ALL BKIES2014-16

	YC110-FILM	Protective film for seat 600×600×0.02mm	Protection plastique Selle	1	ALL BKIES2014-16
CATALOGUES - FICHES MOTOS - FICHES STICKER					
	YC110-0700-01	Accessory tools	Trousse a outils	1	ALL BIKES
	YC110-0700-0201	Owner manual 2015	Manuel Utilisation 2015	1	ALL BIKES2013-16
	YC110-0700-0401	Vin Plate 2015	Plaque Vin 2015	1	ALL BIKES2013-16
	YC110-0700-03	A4 sheet assy	Fiche A4	1	ALL BIKES

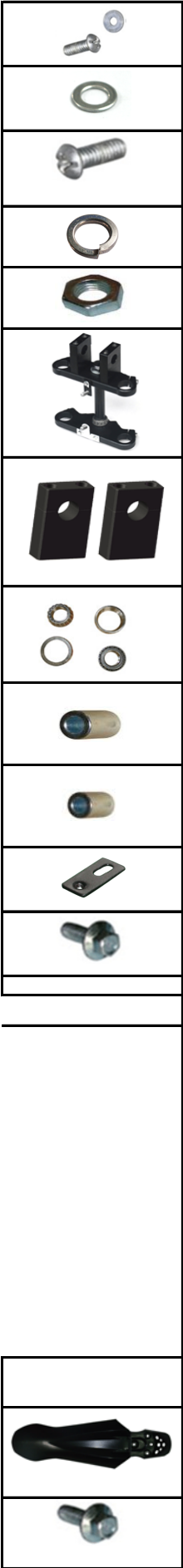
2016

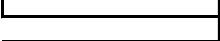












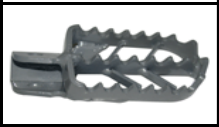
T=2.5mm



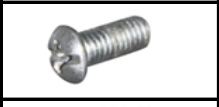
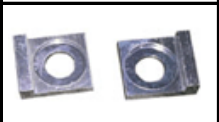
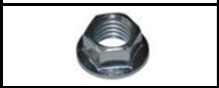
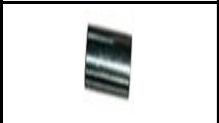




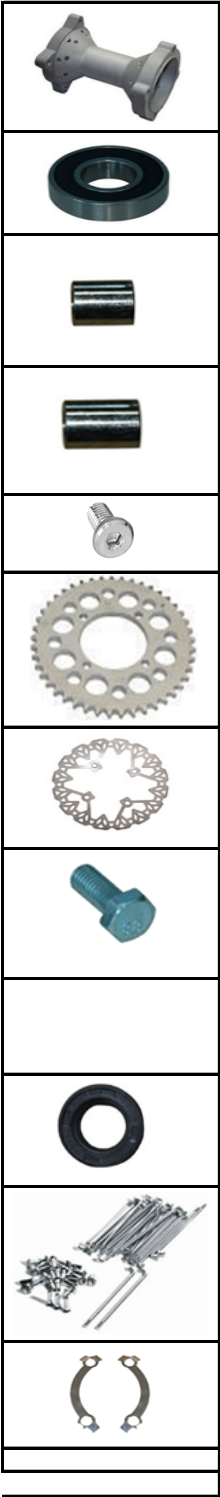






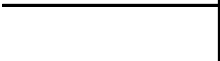
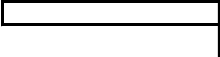
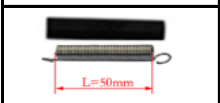
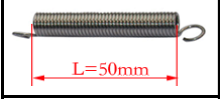








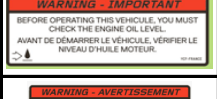
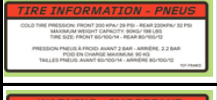














NE PAS OUBLIER DE FAIRE LES RESERVES D'USAGES AUPRES DU TRANSPORTEUR A RECEPTION DES COLIS SUR LE BON DE LIVRAISON.
PLEASE CHECK THE CONDITION OF CRATE AT RECEIPT OF GOODS. ANY DAMAGE SHOULD BE NOTED ON THE CONNOTE WITH THE FREIGHT CARRIER.

WARNING - AVERTISSEMENT
WARNING:
THE SHOCK ABSORBER IS NOT LOCKED.
ATTENTION:
LA VIS DE L'AMORTISSEUR N'EST PAS SERRES.
0.000000



