

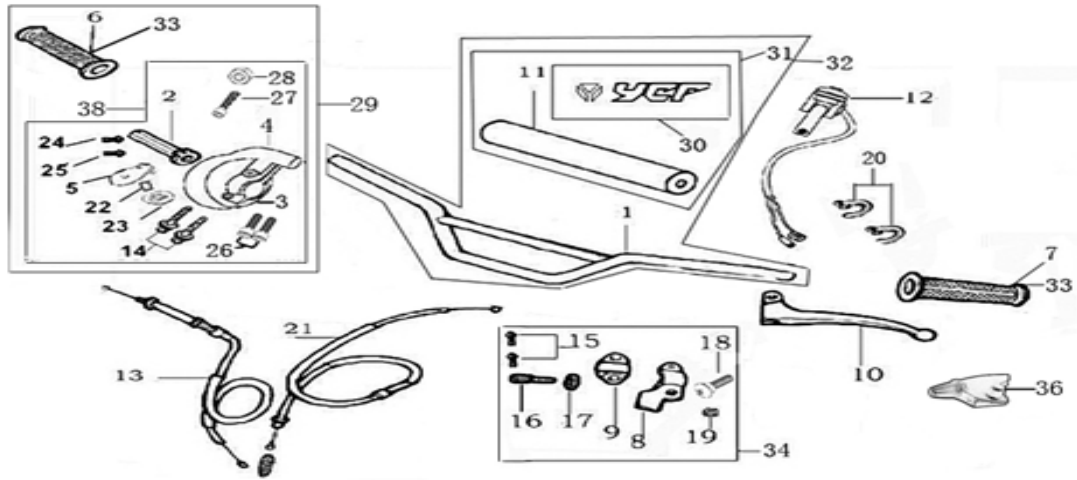


YCF-Riding.com

# START F125



Handle bar assembly

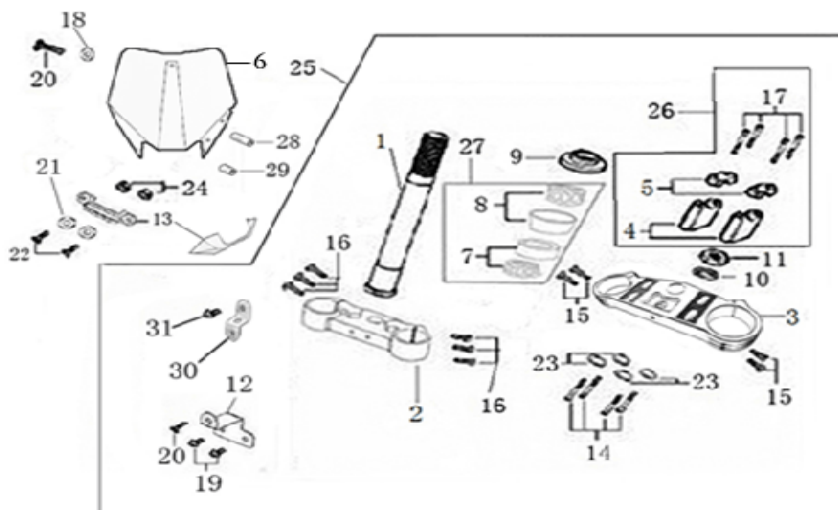


N°	Ref.	Description	Français	Qty/ Bike	MODEL
1	YC110-0101	Handle Bar START Chromelly L=740mm	Guidon chromolly START L=740mm	1	F88s12-16/F88se16/F12512-16/F125s12-16/F125se16/SM125s12-16 / P88s13-16/P12513-16/P15013-16
2	YC110-01021-01	YCF Throttle Body 2012 BLACK	plastique poignée de gaz YCF 2012 NOIR	1	ALL BIKES 2012-2016
3	YC110-01021-04	YCF Lower Throttle Body Housing 2012	dessous poignée gaz YCF 2012	1	50A12-16/F88s12-16/F88se16/F12512-16/F125s12-16/F125se16/P88s12-15/P12514-16/SM125s14-16
4	YC110-01021-03	Upper Throttle Body Housing YCF 2012	dessus poignée gaz YCF 2012	1	ALL BIKES 2012-2016
5	YC110-01021-02	Upper Throttle Body Housing Cover YCF 2012	plastique du dessus poignée gaz YCF 2012	1	ALL BIKES 2012-2016
6	YC110-01-01-GY	YCF Right Grip GREY	poignée caoutchouc droite YCF GRISE	1	ALL BIKES2012-2016
7	YC110-01-02-GY	YCF Left Grip GREY	poignée caoutchouc gauche YCF GRISE	1	ALL BIKES2012-2016
8	YC110-0108-05	Clutch upper bracket 2014 SILVER	cocotte basse embrayage 2014 SILVER	1	F12514-16/P12514-16/P15014-16/SM15014-16/SP114-16/SP214-16/SP314-16

9	YC110-0109-05	Clutch lower bracket 2014 SILVER	demi cocotte embrayage 2014 SILVER	1	F12514-16/P12514-16/P15014-16/SM15014-16/SP114-16/SP214-16/SP314-16
	FB13-8×10×8-Cu	Clutch lever bushing $\Phi 8 \times \Phi 10 \times 8.1$ mm copper	entretoise levier embrayage $\Phi 8 \times \Phi 10 \times 8.1$ mm	1	F12514-16/P12514-16/P15014-16/SM15014-16/SP114-16/SP214-16/SP314-16
10	YC110-0103-03	Clutch lever 2014 (with FB13- $\Phi 8 \times \Phi 10 \times 6$ -Cu 1EA+FB13- $\Phi 8 \times \Phi 10 \times 8$ -Cu 1EA)	levier embrayage 2014	1	RS12/RSP12/SM15012/C12/CP12/F12513-16/P12513-16/P15013-16/SM15013-16/SP113-16/SP213-16/SP314-16
11	YC110-0110-01	Bar pad for Chromolly Handlebar L=250 mm	Mousse guidon pour guidon Chromolly L=250 mm	1	F88s12-16/F88se1516/P12512-16/F125s12-16/F125se1516/P88s13-15/P12513-16/P15012-16/SM125s12-16
12	YC110-0105-01	Kill Switch ON/OFF L=580mm	Coupe circuit on off L=580mm	1	ALL BIKES2012-16 (BUT50A/SPIII)
13	YC110-0106	Throttle Cable L=840mm A+B=125	Cable gaz L=840mm A+B=125	1	ALL BIKES2012-2016(BUT50/F88s/F88se)
14	GB5787-M6×22-G	Hex. Bolt with Flanged Face M6X22	vis M6X22	2	ALL BIKES2012-16(BUT50A)
15	GB5787-M6×20-G	Hex. Bolt with Flanged Face M6X20	vis M6X20	2	F12512-16/P12514-16/P15014-16/SM15012-16/SP112-16/SP212-16/SP312-16
16	YC110-0103-04	Clutch Adjust bolt M7×18mm	Tendeur cocotte embrayage M7×18mm	1	F12512-16/P12513-16/P15013-16/SM15013-16/SP113-16/SP213-16/SP313-16
17	YC110-0117	Clutch Tight Nut M7	ecrou cocotte embrayage M7	1	F12512-16/P12513-16/P15013-16/SM15013-16/SP113-16/SP213-16/SP313-16
18	27-06022B	Clutch Stepped bolt M6X22	vis cloche embrayage M6X22	1	F12512-16/P12513-16/P15013-16/SM15013-16/SP113-16/SP213-16/SP313-16
19	6183-06000B	Clutch Self-lock Nut M6	ecrou cloche embrayage M6	1	F12512-16/P12513-16/P15013-16/SM15013-16/SP113-16/SP213-16/SP313-16
20	YC110-01-03-BK	Tape 150mm BLACK	colier maintien cable 150mm NOIR	2	ALL BIKES
20	YC110-01-03-WH	Tape 150mm WHITE	colier maintien cable 150mm BLANC	2	ALL BIKES
20	YC110-01-05-BK	Tape 350mm BLACK	colier maintien cable 350mm NOIR	5	ALL BIKES
21	YC110-0109-03	Clutch Cable Assy. L=930mm A+B=60mm	cable embrayage L=930mm A+B=60mm	1	F12513-16/P12513-16
22	YC110-0102-08	YCF Throttle cable Bearing $\Phi 8 \times \Phi 16 \times 5$ mm	Roulement poignee gas YCF $\Phi 8 \times \Phi 16 \times 5$ mm	1	ALL BIKES2012-2016
23	YC110-0102-07	YCF Throttle cable guide pulley plastic $\Phi 12 \times \Phi 16 \times \Phi 28 \times 8$ mm	Roulette plastique Poignee Gas YCF $\Phi 12 \times \Phi 16 \times \Phi 28 \times 8$ mm	1	ALL BIKES2012-2016
24	GB819-M4×12	Plus screw M4×12	vis M4×12	1	ALL BIKES2012-2016
25	GB819-M4×20	Plus screw M4×20	vis M4×20	1	ALL BIKES2012-2016

26	GB70-M6x20-B	Hex. Bolt M6x20 BLACK	vis M6x20 NOIR	2	ALL BIKES2012-2016
27	GB70-M5x12	Hex. Bolt M5x12	vis M5x12	1	ALL BIKES2012-2016(BUT50A)
30	YC110-012021-BK	PVC for Bar Pad suitable Chromolly Handlebar 246mmx156mm 2013 BLACK	PVC mousse guidon Chromolly 246mmx156mm 2013 NOIR	1	F88s12-16/F88se1516/F12512-16/F125s12-16/F125se1516/F88s13-15/P12513-16/P15012-16/SM125s12-16
31	YC110-0132BK	Complete Bar Pad for Chromolly Handlebar L=250mm 2013 BLACK	Mousse guidon complete pour guidon Chromolly L=250mm 2013 NOIR	1	F88s12-16/F88se1516/F12512-16/F125s12-16/F125se1516/F88s13-15/P12513-16/P15012-16/SM125s12-16
32	GA02-BK	Chromelly Handle Bar with bar pad and pvc START / PILOT / SM125s 2013	Guidon chromolly complet avec Mousse et Pvc START / PILOT / SM125s 2013	1	F88s12-16/F88se1516/F12512-16/F125s12-16/F125se1516/F88s13-15/P12513-16/P15012-16/SM125s12-16
33	PPC010-GY	YCF set of grip GREY	Paire de poignée caoutchouc YCF GRISE	1	ALL BIKES2012-2016
34	YC110-0126-01	Clutch bracket Assy. 2014 SILVER	Cocotte embrayage complete 2014 SILVER	1	F12514-16/P12514-16/P15014-16/SM15014-16/SP114-16/SP214-16/SP314-16
35	YC110-0134-02	Cnc adjustable bracket with lever 2014 SILVER	Cocotte CNC réglage rapide avec levier embrayage 2014 SILVER	1	F12514-16/P12514-16/P15014-16/SM15014-16/SP114-16/SP214-16/SP314-16
36	YC110-0103-10	rubber on clutch lever	caoutchouc levier embrayage	1	F12514-16/P12514-16/P15014-16/SM15014-16/SP114-16/SP214-16/SP314-16
38	YC110-01021-N	YCF Throttle Assy. 2012 without grip (with YC110-0102-08 1EA)	Poignee gaz réglable YCF 2012 nue	1	ALL BIKES12-13(BUT50CC)/F88s14-16/F88se1516/F12514-16/F125s14-16/F125se1516/P88s1415/P12514-16/SM125s14-16

#### Steering stem assembly

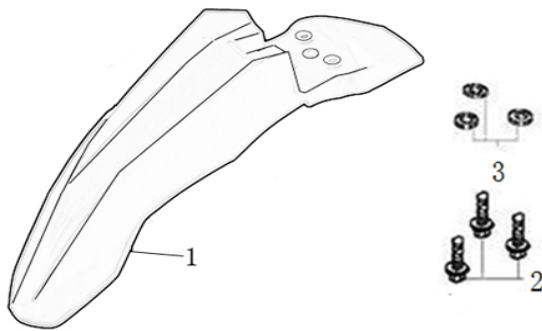


N	Ref.	Description	Français	Qty/ Bike	MODEL
1	YC110-0201-03	Steering stem 233 mm	tige colonne direction 233 mm	1	ALL BIKES2012-16(BUT50A/F88s/F88se)

2	YC110-0202-39-BK	Lower triple clamp 160 mm $\phi$ 48mm 2014 MATT BLACK	té fourche inferieur 160 mm $\phi$ 48mm NOIR MAT	1	F88s14-16/F88se1516/F12514-16/F125s14-16/F125se1516/SM125s14-16/SM1501516/SP114
3	YC110-0201-39-BK	Top Triple Clamp160mm $\phi$ 45mm 2014 (not adjustable)MATT BLACK	té fourche supérieur 160 mm $\phi$ 45mm (non ajustable) 2014 NOIR MAT	1	F88s14-16/F88se1516/F12514-16/F125s14-16/F125se1516/SM125s14-16/SM1501516/SP114
4	YC110-0203-23	Lower Bar Mount CNC START type, not adjustable $\phi$ 22.2 / height 55 mm BLACK	Pontet guidon inférieur non ajustable type START $\phi$ 22.2 / hauteur 55 mm NOIR	2	ALL BIKES2012-2016(BUT50A/SP1/SP2/SP3)
5	YC110-0202-04	Top Bar Mout CNC $\Phi$ 22.2 mm/height 18mm START Type BLACK	pontet guidon supérieur $\Phi$ 22.2 mm Type START NOIR	2	ALL BIKES2013-15/ALL BIKES2016(BUTSP3)
6	YC110-0212-07GR	Front Number Plate 2014 GREEN	PLAQUE AVANT 2014 VERT	1	P12515/SPII15/SM125s1516/F12516/P15016/SP216
7	297-46/23.5	Lower Taper roller bearing 46/23.5	roulement inférieur 46/23.5	1	ALL BIKES2012-16(BUT50A/F88s/F88se)
8	297-46/22	Top Taper roller bearing 46/22	roulement supérieur 46/22	1	ALL BIKES2012-16(BUT50A/F88s/F88se)
9	YC110-02-09	Top nut for steering $\phi$ 52	écrou crantellé colonne direction $\phi$ 52	1	ALL BIKES2012-2016
10	YC110-02-10	Washer for steering stem nut $\Phi$ 22.5 $\times$ $\Phi$ 36 $\times$ 0.7	joint colonne direction $\Phi$ 22.5 $\times$ $\Phi$ 36 $\times$ 0.7	3	ALL BIKES2012-2016
11	YC110-02-11	Nut for steering stem M22	écrou supérieur colnne direction M22	1	ALL BIKES2012-2016
13	YC110-0214-01-WH	Break Line Retainer 2014 White (with GB9074.5-M4 $\times$ 10-W 1EA )	guide durite sur plaque avant 2014 Blanc	1	ALL BIKES2014-2016(BUT50A/F88s/F88se/F88s)
14	GB70-M8 $\times$ 30	Stud screw M8X30	vis M8X30	4	ALL BIKES2012-16 (BUT50A)
15	GB70-M6 $\times$ 25	Stud screw M6X25	vis M6X25	4	ALL BIKES2012-16 (BUT50A)
16	GB70-M6 $\times$ 25	Stud screw M6X25	vis M6X25	4	F88s13-16/F88se1516/F12513-16/F125s13-16/F125se1516/F88s13-15/P12513-16/P15013-16/SM13-16/SP13-16
17	GB70-M8 $\times$ 25	Stud screw M8X25	vis M8X25	4	ALL BIKES2012-16 (BUT50A)
18	GB97- $\Phi$ 6-W	flat washer $\phi$ 6	rondelle $\phi$ 6	1	ALL BIKES2012-16
19	GB5787-M6 $\times$ 16-W	Hex. Bolt with Flanged Face M6X16	vis M6X16	2	ALL BIKES2012-2016
20	GB9074.5-M6 $\times$ 12-W	Plus screw M6X12 (for bottom front No plate)	vis m6x12 bas plaque No avant	1	ALL BIKES2014-2016(BUT50A/F88s/F88se/F88s)

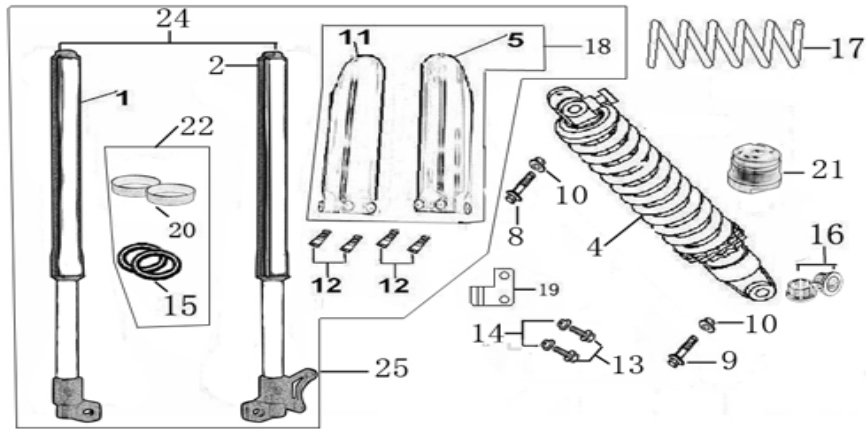
21	GB97-Φ4-W	flat washer φ4	rondelle φ4	1	ALL BIKES2012-16
22	GB818-M4×10-W	Plus screw M4×10	vis M4×10	1	ALL BIKES2012-16
23	GB93-Φ8-W	Spring washer Φ8mm	rondelle Φ8mm	4	ALL BIKES2012-2016
25	YC110-02-041-BK	Complete Triple Clamp (TOP45 / BOTTOM 48) START Type 2014 MATT BLACK	Te Fourche Complet (TE SUP. 45 / TE INF.48 Type START 2014 NOIR MAT	1	F12514-16/F125s14-16/F125se1516/SM125s14-16/SM1501516
26	YC110-0203-05	Set of Bar mount not adjustable φ22.2mm/bottom 55mm START Type BLACK (with GB70-M8×25 4EA+GB70-M8×30 4EA+GB93-Φ8-W 4EA)	jeu pontet guidon non ajustable φ 22.2mm / pontet bas 55mm Type START NOIR	1	ALL BIKES2012-2016(BUT50A/SP1/SP2/SP3)
27	KRDIRECTION46	set of bearing for steering 46/23.5、 46/22	kit rlt colonne direction 46/23.5、 46/22	1	ALL BIKES2012-16(BUT50CC/F88s/F88se)
30	YC110-0213-08	Number plate bracket 2014	support plaque avant 2014	1	ALL BIKES2014-2016(BUT50A/F88s/F88se /P88s)
31	GB5787-M6×16-W	Hex. Bolt M6X16	vis M6×16	1	ALL BIKES2012-2016
32	YC110-02-20	Washer for steering stem nut	joint colonne direction	1	ALL BIKES2015-2016 (But50A/F88s/F88se)

#### Front Fender



N	Ref.	Description	Français	Qty/ Bike	MODEL
1	YC110-032-01GR	YCF Front Fender 2014 GREEN	GARDE BOUE AVANT 2014 VERT	1	P12515/SPII1516/SM125s1516/F12516/P15016
2	GB5787-M6×20-W	Hex. Bolt with flanged M6X20	vis M6X20	3	ALL BIKES
	GB96-Φ6-W	Washer φ6×φ18mm	Rondelle φ6×φ18mm	3	ALL BIKES
3	YC110-03-01	Rubber washer Φ6×Φ18×4mm	caoutchouc Φ6×Φ18×4mm	3	ALL BIKES

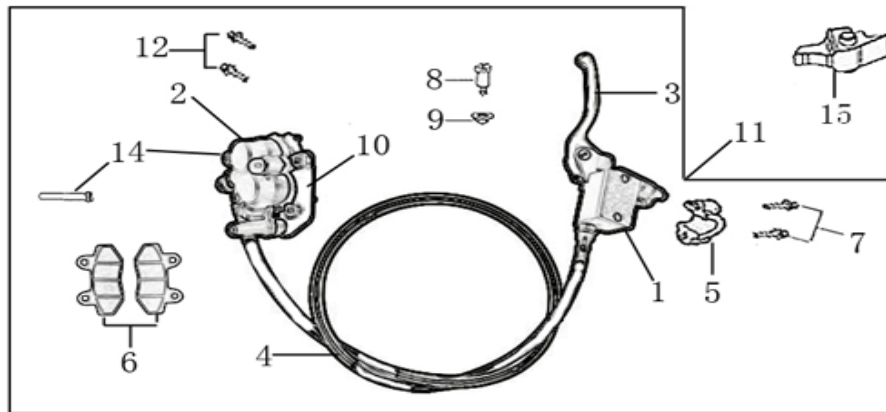
#### Front & Rear absorber



N	Ref.	Description	Français	Qty/ Bike	MODEL
1	YC110-0401-01	Front right fork 660mm (not adjustable) GREY	Tube fourche droit 660mm GRIS	1	F12513-16/F125s13-16/F125se1516/P88s13-16/P1251314/SM125s13-16
2	YC110-0402-19	Front left fork 660mm (not adjustable) GREY	Tube fourche gauche 660mm GRIS	1	F12516/F125s16/F125se16/P12516/SM125s16
4	YC110-0404-14	Shock absorber START 270mmx850lbs YELLOW	Amortisseur START 270 x 850lbs JAUNE	1	F12513-16/F125s13-16/F125se1516/SM125s13-16
4	YC110-0422-01	Stick for Shock absorber L=220mm	Tube Acier mou maintient moto dans caisse L=220mm	1	F88s13-16/F12513-16/F125s13-16/P88s13-15/P1251314/SM125s13-16
5	YC110-04-017	YCF Left front fork protection 660mm WHITE	Protection fourche YCF gauche 660mm BLANC	1	F12513-16/F125s13-16/F125se1516/P88s13-15/P1251314/SM125s13-16
8	GB5787-M12x50-W	Hex.bolt with flanged face M12x1.25x50	vis M12x1.25x50	1	F88s13-16/F88se1516/F12513-16/F125s13-16/F125se1516/SM125s13-16
9	GB5787-M12x45-W	Hex. Bolt with flanged M12X45	vis M12X45	1	F88s13-16/F88se1516/F12513-16/F125s13-16/F125se1516/P88s13-15/P12513-16/P15013-16/SM13-16
10	GB6187-M12-W	Self-locking Nut M12	écrou M12	2	ALL BIKES2012-2016(BUT50A)
11	YC110-04-026	YCF Right front fork protection 660 mm WHITE	Protection fourche droite YCF 660 mm BLANC	1	F12513-16/F125s13-16/F125se1516/P88s13-15/P1251314/SM125s13-16
13	GB5787-M6x16-W	Plus screw M6X16	vis M6X16	2	ALL BIKES2012-2016
14	GB6177-M6-W	Hex. Flanged nut M6	écrou M6	2	ALL BIKES2013-15(BUT50A)/F88s16/F88se16/F12516/F125s16/F125se16/SM125s16
16	YC110-0419	shock bottom spacer φ12mm (same for top/bottom) LB	entretoise amortisseur bas φ 12 mm pour bras mono LB	4	F88s13-16/F88se1516/F12512-16/F125s12-16/F125se1516/SM125s12-16
18	YC110-0418-01WH	Set of fork protection 660 mm YCF WHITE	Jeu protection fourche 660 mm YCF BLANC	1	F12513-16/F125s13-16/F125se1516/P88s13-15/P1251314/SM125s13-16

19	YC110-0403-02	oil steel line retainer on left front fork	passse durite sur protection fourche gauche	2	ALL BIKES2013-15(BUT50A)/F88s16/F88se16/F12516/F125s16/F125se16/SM125s16
	YC110-0421-01	oil steel line retainer on left front fork	passse durite sur protection fourche gauche	1	ALL BIKES2013-15(BUT50A)/F88s16/F88se16/F12516/F125s16/F125se16/SM125s16
24	YC110-0400-19	Pair of fork 660mm (not adjustable) GREY 2016	Jeu de fourche 660mm GRIS 2016	1	F12516/F125s16/F125se16/SM125s16

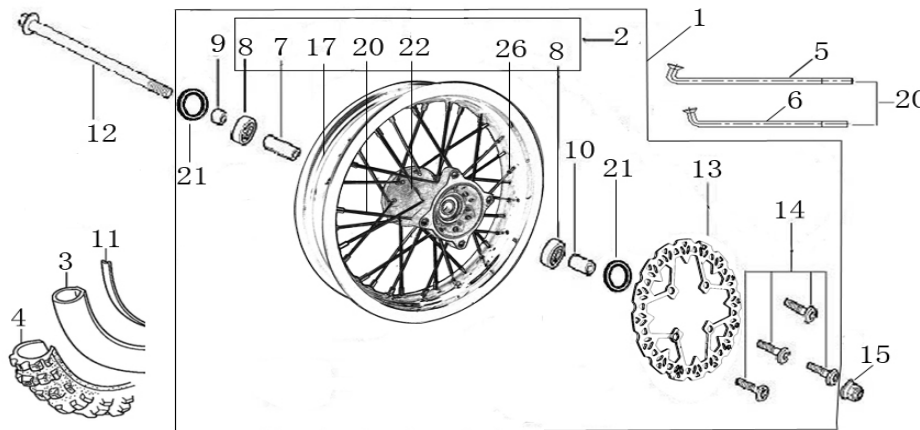
**Front Brake Assy**



N	Ref.	Description	Français	Qty/ Bike	MODEL
1	YC110-0501-0102	Front Brake Reservoir for 2 pump	maitre cylindre frein avant pour étrier 2 pistons	1	ALL BIKES2012-15(BUT50A)/F88s16/F88se16/F12516/F125s16/F125se16/SM125s16
2	YC110-0501-0205	Front Brake caliper for 2 pump w/t abestos	étrier frein avant double pistons sans amiante	1	ALL BIKES2012-15 (BUT50A/F88s/F88se) /F12516/F125s16/F125se16/P12516/P15016/SP116/SM16
3	YC110-0501-014	Front brake lever 2014 With notch	LEVIER FREIN 2014	1	ALL BIKES2014-15(BUT50A)/ALL BIKES2016(BUT50A/SP2/SP3)
4	YC110-0501-0312	Front brake steel line L=1080mm M10/Φ10 BLACK 2016	durite frein avant L=1080mm M10/Φ10 NOIR 2016	1	F12516/F125s16/F125se16/P12516/SM125s16
5	YC110-0501-022	Brake perch bracket for double pump	demi cocotte frein avant pour frein double pistons	1	ALL BIKES2012-16(BUT50A)
6	YC110-0501-0403	Front Brake pads for double pump brake with copper substrate	jeu plaquette frein avant pour frein 2 pistons SANS AMIANTE	2	ALL BIKES2012-15 (BUT50A/F88s/F88se) /F12516/F125s16/F125se16/P12516/P15016/SP116/SM16
7	GB5787-M6×22-G	Hex.bolt with flanged M6X22	vis M6X22	2	ALL BIKES2012-16(BUT50A)
8	HB06-M6×25-G	Hex.bolt with flanged M6X25	vis M6X25	1	ALL BIKES2012-16(BUT50A)
9	GB6177-M6-G	Self-locking nut M6	écrou M6	1	ALL BIKES2012-16(BUT50A)

10	YC110-0501-030	Bracket for front brake 2 pumps	patte frein avant etrier 2 pistons	1	ALL BIKES2012-15 (BUT50A/F88s/F88se) /F12516/F125s16/F125se16/P12516/P15016/SP116/SM16
11	YC110-0501-18	Front brake assy 2 pumps L= 1080mm Φ10/10 w/t abestos 2016	kit frein avant 2 pistons avec gaine plastic L=1080mm Φ10/10 sans amiante 2016	1	F12516/F125s16/F125se16/SM125s16
12	GB70-M6×30-W	Stud screw M6X30	vis M6X30	2	ALL BIKES2012-16 (BUT50A)
14	YC110-0555	caliper screw for front brake L=50mm Army green	vis plaquette frein avant L=50mm	2	ALL BIKES2012-15 (BUT50A/F88s/F88se) /F12516/F125s16/F125se16/P12516/P15016/SP116/SM16
15	YC110-0502-01	rubber for brake lever	caoutchouc levier frein avant	1	ALL BIKES2014-15(BUT50A) /ALL BIKES2016(BUT50A/SP2/SP3)

### Front Wheel Assy

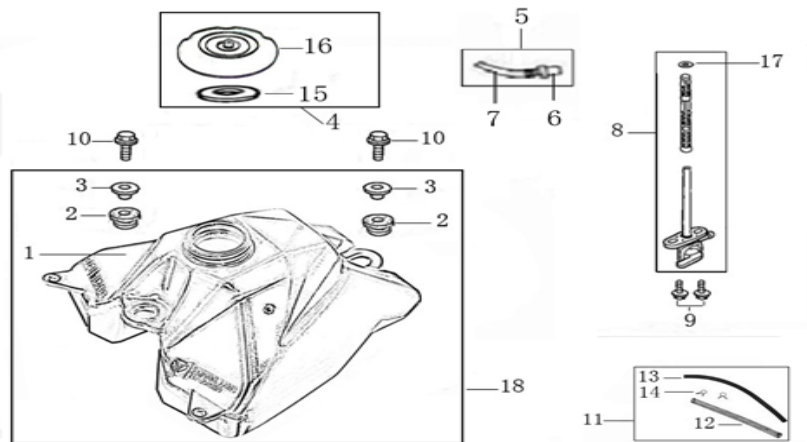


N	Ref.	Description	Français	Qty/ Bike	MODEL
1	YC110-0601-5D	Complete STEEL Front wheel 1.4x14' with disk 2016. Casting hub	roue avant complète ACIER 1.4x14' moyeux injecte avec disque	1	F12516/F125s16/F125se16/P12516/P15016
2	YC110-0602-51	Complete STEEL Front wheel 1.4x14' without disk. Casting hub	roue avant complète ACIER 1.4x14' moyeux injecte sans disque	1	F12512-16/F125s12-16/F125se16/P12513-16/P15013-16/SP112-15
3	CHAMBRE14	Tube for front tire 60/100-14' GL	chambre air 14' GL	1	F12512-16/F125s12-16/F125se1516/P12513-16/P15013-16/SP113-16/SP213-16/SP313-16
	FB6170-M8-Cr	Tire valve nut M8	Ecrou M8 pour Chambre a air	1	ALL BIKES
4	60/100/14	Front tyre 60/100/14' GUANGLI	pneu 60/100/14' GUANGLI	1	F12512-16/F125s12-16/F125se1516/P12513-16/P15013-16/SP112-16
7	YC110-0601-02	Front axle bushing Φ16×Φ22×44	entretoise central roue avant Φ16×Φ22×44	1	ALL BIKES2013-15(BUT50A)/ALL BIKES2016(BUT50A/SP2/SP3)
8	96140-6202-2Z	Ball bearing 6202-2Z Φ35×Φ15×11	roulement roue 6202-2Z Φ35×Φ15×11	2	ALL BIKES2012-2015 (BUT50A) /ALL BIKES2016 (BUT50A/SP2/SP3)



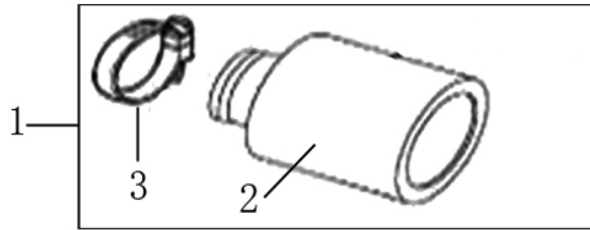
9	YC110-06-047	Front wheel spacer right $\phi 15 \times \Phi 22 \times 23$ mm with STEP 2015	entretoise roue avant droite $\phi 15 \times \Phi 22 \times 23$ mm	1	ALL BIKES2015(BUT50A)/ALL BIKES2016 (BUT50A/SP2/SP3)
10	YC110-06-052	Front wheel spacer left $\phi 15 \times \Phi 22 \times 33$ mm	entretoise roue avant gauche $\phi 15 \times \Phi 22 \times 33$ mm	1	ALL BIKES2012-2015 (BUT50A)/ALL BIKES2016(BUT50A/SP2/SP3)
11	YC110-06-01	tire lining for 1.4x14'	fond jante av 14'	1	F12512-16/F125s12-16/F125se1516/P12513-16/P15013-16/SP112-16/SP212-16/SP312-16
12	YC110-06-061	Front Axle 215 mm with Self-locking nut M14 for Marzocchi style fork	axe de roue avant L=215 mm marzochci avec ecrou M14	1	ALLBIKES2013-16(BUT50A/SM)
13	YC110-0513-02	Front disk $\phi 220$ mm 2016	disque frein avant $\phi 220$ mm 2016	1	ALL BIKES 2016(BUT50A/F88s/F88se)
14	GB70.2-M8x16	Screw for disk M8X16	vis disque frein M8X16	4	ALL BIKES2016 (BUT50A)
15	GB6187-M14-W	Self-locking nut M14	écrou roue avant M14	1	ALL BIKES2012-16(BUT50A)
17	YC110-0601-01	STEEL Rim for Front wheel 1.4x14'	cerceau roue av 1,4x14' ACIER	1	F12512-16/F125s12-16/F125se1516/P12513-16/P15013-16/SP112-16
20	JR14-14.5	set of front spoke 14' (147mmx32)	Jeu rayon avant 14' (147mmx32)	1	F12512-16/F125s12-16/F125se1516/P12512-16/P15013-16/SP112-16/SP212-16/SP312-16
21	YC110-0611	OIL SEAL $\phi 22 \times 35 \times 5$	joint spy roue $\phi 22 \times 35 \times 5$	2	ALL BIKES2013-16(BUT50A)
22	YC110-0622-02	Front hub casting with oil seal	moyeux avant injectée avec joint spy	1	ALL BIKES2012-15 (BUT50A/SPII/SPIII) /ALL BIKES 2016(BUT50A/SP)

#### Fuel Tank



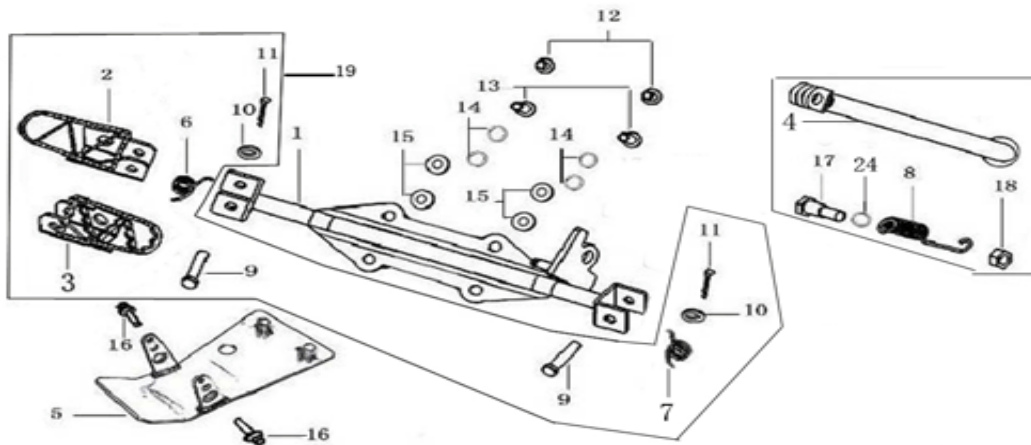
N	Ref.	Description	Français	Qty/ Bike	MODEL
---	------	-------------	----------	--------------	-------

1	YC110-0701-01	YCF Fuel tank with YC110-1910 1EA (suitable for pre 2013 bikes)	Reservoir YCF (Adaptable pour motos avant 2013)	1	ALL BIKES2013-16 (BUT50A)
2	YC110-07-01	Cushion for fuel tank	caoutchouc pour reservoir	2	ALL BIKES2011-16
3	YC110-07-02	Washer for fuel tank $\Phi 12 \times \Phi 30 \times 11$ mm	entretoise pour reservoir $\Phi 12 \times \Phi 30 \times 11$ mm	2	ALL BIKES2011-16
4	YC110-0702-01	YCF Tank cap plastic 2013	Bouchon reservoir plastique YCF 2013	1	ALL BIKES2013-16
5	YC125-0704-BK	Fuel tank valve BLACK	Valve prise air NOIR	1	ALL BIKES
6	YC110-0704-BK	Cap of Fuel tank valve BLACK	Capuchon Valve prise air NOIR	1	ALL BIKES
7	YC110-0705-BK	Fuel tank valve Hose L=40mm BLACK	Durite caoutchouc Vale prise air L=40mm NOIRE	1	ALL BIKES
8	YC110-0703	Fuel cock assy.	robinet essence	1	ALL BIKES
9	GB5787-M6×16-W	Hex. Bolt with flanged M6X16	vis M6X16	2	ALL BIKES2012-2016
10	GB5787-M8×25-B	Hex. Bolt with flanged M8X25 BLACK	vis M8X25 NOIR	2	50A13-16/F88s13-16/F88se1516/F12513-16/F125s13-16/F125se1516/SM125s13-16
11	YC110-0706	fuel tank rubber line + spring $\Phi 4.5 \times \Phi 8.5 \times 210$ mm	durite reservoir avec ressort $\Phi 4.5 \times \Phi 8.5 \times 210$ mm	1	ALL BIKES
12	YC110-07061	fuel tank lspring L=180mm	ressort durite reservoir L=180mm	1	ALL BIKES
13	YC110-07062	fuel tank rubber line $\Phi 4.5 \times \Phi 8.5 \times 210$	durite reservoir $\Phi 4.5 \times \Phi 8.5 \times 210$	1	ALL BIKES
14	YC110-07063	Holding ring	collier FILTRE	2	ALL BIKES
15	YC110-0720-02	Rubber mat for tank cap plastic $\Phi 14 \times \Phi 52 \times 2$ mm Oil proof	Caoutchouc bouchon reservoir YCF $\Phi 14 \times \Phi 52 \times 2$ mm	1	ALL BIKES2013-16
17	YC110-0717	O-RING, $\Phi 11 \times 3$ mm For Fuel tank	Joint Thorique $\Phi 11 \times 3$ mm pour Reservoir	1	ALL BIKES2013-16 (BUT50A)
18	YC110-0718	YCF Complete fuel tank suitable for pre 2013 bikes (with YC110-07-01 2EA+YC110-07-02 2EA+YC110-1910 1EA)	Reservoir complet YCF 2013 (Adaptable pour motos avant 2013)	1	ALL BIKES2013-16 (BUT50A)
<b>Air Filter</b>					



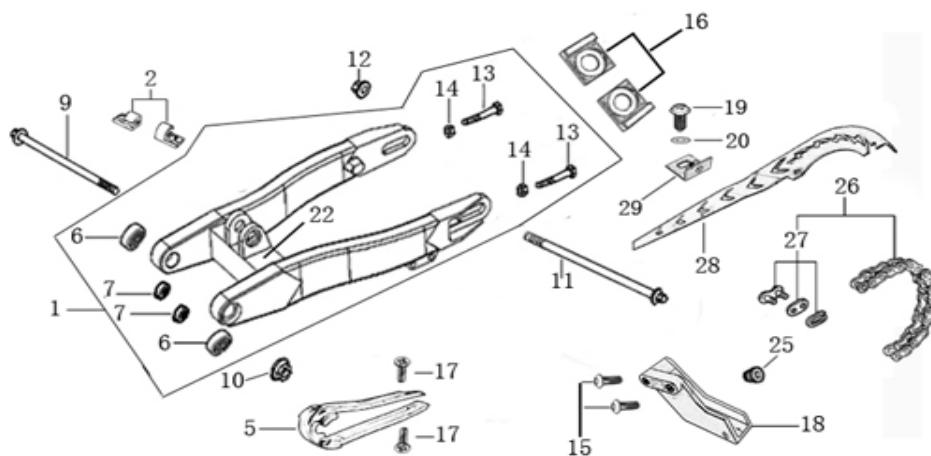
N	Ref.	Description	Français	Qty/ Bike	MODEL
1	YC110-0802-01-RD	Air filter assy $\Phi$ 38mm 2014 (with YC110-0805 1EA)	filtre air $\Phi$ 38mm Complet 2014	1	F12514-16/F125s14-16/F125se1516/P1251415 /P1501415/SM125s14-16/SM1501415
2	YC110-0801-01-RD	Air filter $\Phi$ 38mm YCF LOGO 2014 RED	YCF filtre seul $\Phi$ 38mm 2014 ROUGE	1	F12514-16/F125s14-16/F125se1516/P1251415 /P1501415/SM125s14-16/SM1501415
3	YC110-0805	Holding ring $\phi$ 27- $\phi$ 51mm	collier Filtre $\phi$ 27- $\phi$ 51mm	1	ALL BIKES2012-2016 (BUT50A)

#### Foot Peg assy



N	Ref.	Description	Français	Qty/ Bike	MODEL
1	YC110-0901-01	Foot pegs bar START GREY	barre repose pied START GRISE 2013	1	F12513-16/F125s13-16/F125se1516/SM125s13-16
2	YC110-0902-01	Right foot peg Steel START / PILOT 2013 GREY	Repose pied Acier droit START / PILOT 2013 GRIS	1	F88s13-16/F88se1516/F12513-16/F125s13-16/F125se1516/P88s13-15/P12513-16/P15013-16/SM13-16
3	YC110-0903-01	Left foot peg Steel START / PILOT 2013 GREY	Repose pied Acier gauche START / PILOT 2013 GRIS	1	F88s13-16/F88se1516/F12513-16/F125s13-16/F125se1516/P88s13-15/P12513-116/P15013-16/SM13-16
4	YC110-196	Kick stand 280mm	bequille 280mm	1	F12513-16/F125s13-16/F125se1516/P88s13-15/P12513-16/P15013-16/SM13-16
5	YC110-202-01	YCF Engine skid plate Steel START125 / PILOT /SM150 MATTE BLACK	Sabot moteur Acier YCF START125 / PILOT /SM150 NOIR MAT	1	F12513-16 /P12513-16/P15013-16/SM15013-16

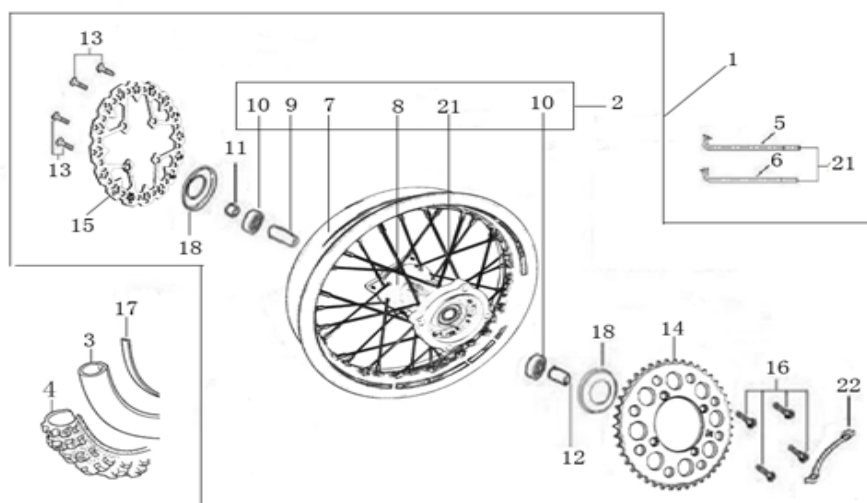
6	YC110-09-01	Spring for right steel foot peg Φ1.5×Φ16.5×10mm	ressort repose pied droit acier Φ1.5×Φ16.5×10mm	1	ALL BIKES2013-2016(BUTSP1/SP2/SP3)
7	YC110-09-02	Spring for left steel foot peg Φ1.5×Φ16.5×10mm	ressort repose pied gauche acier Φ1.5×Φ16.5×10mm	1	ALL BIKES2013-2016(BUTSP1/SP2/SP3)
8	YC110-19-01	spring for kick stand Φ2.5×Φ15×105	ressort bequille Φ2.5×Φ15×105	1	ALL BIKES2014-16(BUTSP1/SP2/SP3)
9	119.1-085043	shaft pin for steel footpegs φ8×43	axe repose pied acier φ8×43	2	ALL BIKES2014-16(BUTSP1/SP2/SP3)
10	GB97-Φ8-W	flat washer φ8×16×1	rondelle φ8×16×1	2	ALL BIKES2011-16
11	GB91-Φ2×25-W	Cotter pin 2.0×25	goupille 2.0×25	2	ALL BIKES2013-16
12	GB5787-M8×25-W	screw M8X25	vis M8x25	4	F88s13-16/F88se1516/F12513-16/F125s13-16/F125se1516/SM125s13-16
14	GB93-Φ8-W	Foot pegs bar washer φ8	rondelle φ8	4	F88s13-16/F88se1516/F12513-16/F125s13-16/F125se1516/SM125s13-16
15	GB97-Φ8-W	flat washer φ8×16×1	rondelle φ8×16×1	4	F88s13-16/F88se1516/F12513-16/F125s13-16/F125se1516/SM125s13-16
16	GB5787-M6×16-W	screw M6X16 for skid plate	vis sabot M6X16	2	ALL BIKES2012-16(BUT50A)
17	FB2-M10×35×1.5-G	Stepped screw M10X35 for kick stand	vis bequille M10X35	1	ALL BIKES2014-16(BUTSP1/SP2/SP3)
18	GB6170-M10-G	Hex. Nut M10	ecrou bequille M10	1	ALL BIKES2014-16(BUTSP1/SP2/SP3)
19	YC110-0902/10	Steel foot pegs set START / PILOT 2013 GREY	Jeu repose pied Acier START / PILOT 2013 GRIS	1	F88s13-16/F88se1516/F12513-16/F125s13-16/F125se1516/P88s13-15/P12513-16/P15013-16/SM13-16
24	GB93-Φ10-W	Standard spring washer φ10	rondelle φ10	1	ALL BIKES2014-16(BUTSP1/SP2/SP3)
<b>Swing Arm assy</b>					



N	Ref.	Description	Français	Qty/ Bike	MODEL
1	YC110-10014	swing arm mono Steel 390mm 2014	bras oscillant acier mono Acier 390mm 2014	1	F88s1415/F88se15/F12514-16/F125s14-16/F125se1516/P88s1415/P12514/P15014/SM125s1416/SM15014
2	YC110-10-014-BK	Rear brake clip for BLACK	attache durite frein arriere NOIR	1	ALL BIKES2012-15(BUTSP1/SP2/SP3)/ALL BIKES2016 (BUTSP2/SP3)
5	YC110-10-023	YCF Chain slider for Steel swing arm 390mm	patin chaine court YCF pour bras Acier 390mm	1	F88s12-16/F88se1516/F12512-16/F125s12-16/F125se1516/P88s12-15/P1251314/P1501314/SM125s13-16/SM1501314
6	6200/28-12	Swing arm bearing $\varnothing 28 \times \varnothing 12 \times 8 \text{mm}$	roulement bras oscillant $\varnothing 28 \times \varnothing 12 \times 8 \text{mm}$	2	ALL BIKES2009-16
7	YC110-1001-013	Spacer for swing arm $\Phi 12 \times \Phi 20 \times 11.5$	entretoise $\Phi 12 \times \Phi 20 \times 11.5$	2	F88s12-16/F88se1516/F12512-16/F125s12-16/F125se1516/P88s12-15/P12513-16/P15013-16/SM12-16/SP116
9	YC110-10-034	Swing arm shaft with self lock nut M12 L=192mm	axe bras oscillant $\varnothing 10$ avec ecrou M12 L=192mm	1	F88s13-16/F88se1516/F12513-16/F125s13-16/F125se1516/SM125s13-16
10	GB6187-M12-W	Self locking nut M12	ecrou bras oscillant M12	1	ALL BIKES2012-2016(BUT50A)
11	YC110-11-074	Rear wheel axle L=215mm with Self locking nut M14	axe roue arriere avec ecrou L=215mm avec ecrou M14	1	F88s13-16/F88se1516/F12513-16/F125s13-16/F125se1516/P88s13-15/P12513-16/P15013-16/SP116
12	GB6187-M14-W	Self locking nut M14	ecrou axe roue arriere M14	1	ALL BIKES2012-16(BUT50A)
13	GB5783-M8x40-W	Exterior hex. Bolt M8X40	vis tendeur chaine M8x40	2	ALL BIKES2012-16 (BUT50A)
14	FB6170-M8-W	Hex. Nut M8	ecrou tendeur chaine M8	2	ALL BIKES2012-16(BUT50A)
15	GB70.2-M8x16-Cr	Screw M8X16	vis M8X16	2	F12512-16/F125s12-16/F125se1516/P88s12-15/P1251314/P1501314/SM125s12-16/SM1501314

16	YC110-11-08	Block axle SILVER	Tendeur chaine SILVER	2	F88s12-16/F88se1516/F12512-16/F125s12-16/F125se1516/P88s13-15/P12513-16/P15013-16/SM12-16/SP116
17	GB819-M6×16-W	Plus screw M6X16	vis m6x16	4	ALL BIKES2015-16(BUTSP2/SP3)
	GB6100-M6-CW	nut M6×25mm	Vis M6×25mm	4	ALL BIKES2015-16(BUTSP2/SP3)
18	YC110-1005	YCF chain guide assy for R-START range BLACK	guide chaine YCF pour gamme R-START NOIR	1	F12512-16/F125s12-16/F125se1516/P88s12-15/P1251314/P1501314/SM125s12-16/SM1501314
19	GB818-M6×12-W	Plus screw M6x12	vis M6x12	3	ALL BIKES2012-16(BUT50A)
20	GB97-Φ6	Flat washer φ6	rondelle φ6	3	ALL BIKES2012-16
26	420H-104T	Chain 420H-104T, normal	chaîne 420 104 maillons standart	1	F12512-16/F125s12-16/F125se1516/P1251314/P1501314/SM125s12-16/SM15012-14
27	AR-420	Chain link	Attache rapide chaine	1	ALL BIKES
28	YC110-0600-01	Chain box protection	Protection chaine plastique	1	ALL BIKES2012-2015(BUT50A)/ALL BIKES2016(BUT50A)/F88s/F88se
29	YC110-0600-02	Chain box protection support	Support Protection chaine plastique	1	ALL BIKES2012-2016(BUT50A)
29	YC110-0600-021	Chain box protection support	Support Protection chaine plastique	1	ALL BIKES2012-2016(BUT50A)

Rear Wheel Assy

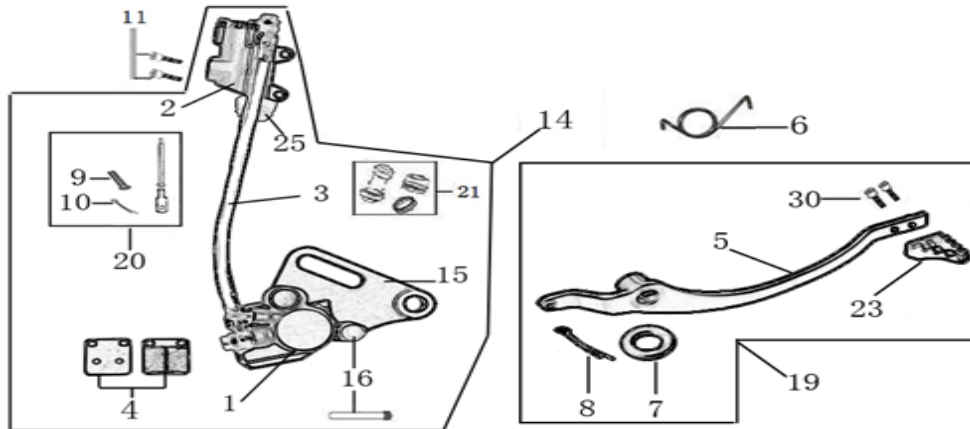


N	Ref.	Description	Français	Qty/ Bike	MODEL
---	------	-------------	----------	--------------	-------

1	YC110-1101-2F	Complete STEEL Rear wheel 1.85x12' with disk 2016. Casting hub	Roue arriere complete ACIER 1.85x12' moyeux injecte avec disque	1	F12516/F125s16/F125se16/P12516/P15016
2	YC110-1102-21	Complete STEEL Rear wheel 1.85x12' without disk. Casting hub	roue arriere complete ACIER 1.85x12' moyeux injecte sans disque	1	F12512-16/F125s12-16/F125se1516/P12513-16/P15013-16
3	CHAMBRE12	Tube for Rear tire 3.00-12' GL	chambre air 12' standard GL	1	ALL BIKES2012-2016(BUT50A/F88s/F88se/P88s)
	FB6170-M8-Cr	Tire valve nut M8	Ecrou M8 Chambre a air	1	ALL BIKES
4	300/12	Rear tyre 80/100-12' GUANGLI	pneu arriere 80/100/12 GUANGLI	1	F12512-16/F125s12-16/F125se16/P12513-16/P15013-16/SP112-16
7	YC110-1101-012	STEEL Rim 1.85x12'	cerceau roue 1,85x12' ACIER	1	F12512-16/F125s12-16/F125se1516/P12513-16/P15013-16/SP112-16
8	YC110-1122-02	Rear wheel hub Casting with oil seal	moyeux arriere injectee avec joint spy	1	ALL BIKES2012-16 (BUT50A/SP)
10	96140-6202-2Z	Ball bearing 6202-2Z $\Phi 35 \times \Phi 15 \times 11$	roulement roue 6202-2Z $\Phi 35 \times \Phi 15 \times 11$	2	ALL BIKES2012-2015 (BUT50A) /ALL BIKES2016 (BUT50A/SP2/SP3)
11	YC110-11-041	Rear wheel spacer right $\Phi 15 \times \Phi 22 \times 29$ mm	entretoise roue arriere droite $\Phi 15 \times \Phi 22 \times 29$ mm	1	F88s12-16/F88se1516/F12512-16/F125s12-16/F125se1516/P88s12-15/P12513-16/P15013-16/SM12-16/SP116
12	YC110-11-052	Rear wheel spacer left $\Phi 15 \times \Phi 22 \times 38$ mm	entretoise roue arriere gauche $\Phi 15 \times \Phi 22 \times 38$ mm	1	F88s12-16/F88se1516/F12512-16/F125s12-16/F125se1516/P88s12-15/P12513-16/P15013-16/SM12-16/SP116
13	GB70.2-M8x16	Screw for disk M8X16	vis disque frein M8X16	4	ALL BIKES2016 (BUT50A)
14	YC110-11-06/45	YCF Driven sprocket 420-45T	couronne acier 45T YCF	1	50A16/F12512-16/F125s12-16/F125se1516/P12513-16/P15013-16/SM12-16
15	YC110-1115-01	Rear Brake disc $\phi 200$ mm 2016	Disque frein arriere $\phi 200$ mm 2016	1	ALL BIKES 2016(BUT50A)
16	GB5783-M8x25-W	Exterior Hex.Bolt M8X25	vis M8x25	4	F88s13-16/F88se1516/F12513-16/F125s13-16/F125se1516/P88s13-15/P12513-16/P15013-16/SM13-16
17	YC110-11-01	tire lining 12"	fond jante 12'	1	ALL BIKES2012-2015(BUT50A/F88s/F88se/P88s)/ ALL BIKES2016(BUT50A/F88s/F88se)
18	YC110-0611	oil seal $\Phi 22 \times \Phi 35 \times 5$	joint spy roue $\Phi 22 \times \Phi 35 \times 5$	2	ALL BIKES2013-16(BUT50A)

21	JR12-12.7	set of spoke 12' (125mm×16+128mm×16)	jeu rayon arrière 12' (125mm×16+128mm×16)	1	F12513-16/F125s13-16/F125se1516/P12513-16/P15013-16/SP113-16
22	YC110-11-03	Sprocket Locking piece	block couronne	2	ALL BIKES2013-16 (BUTSP1/SP2/SP3)

REAR BRAKE

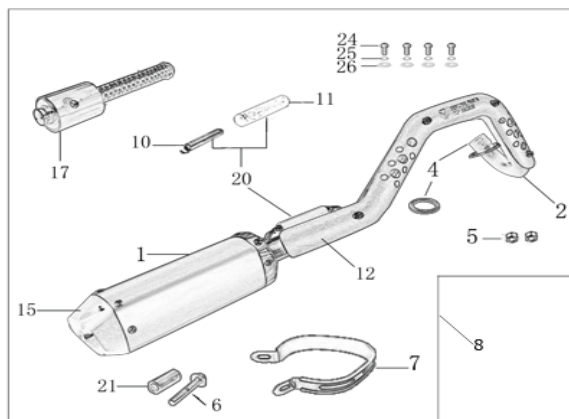


N	Ref.	Description	Français	Qty/ Bike	MODEL
1	YC110-1201-04	Rear Caliper 1 pistons w/t abestos	étrier frein arrière 1 piston sans amiante	1	ALL BIKES2012-2015(BUT50A) /ALL BIKES2016(BUT50A/SP2/SP3)
2	YC110-1201021	Rear reservoir $\varnothing$ 8mm (with stick L=115mm)	maitre cylindre frein arrière avec embout durite $\varnothing$ 8mm	1	ALL BIKES2012-14(BUT50A)/F88s1516/F88se1516/F125s1516/F125se1516/F125s1516/SM125s1516
3	YC110-1201045	Oil steel tube L=370mm $\varnothing$ 8/ $\varnothing$ 10 BLACK	durite frein arrière L=370mm $\varnothing$ 8/ $\varnothing$ 10 NOIR	1	F12516/F125s16/F125se16/SM125s16
4	YC110-1204	Friction pad for 1 piston brake w/t abestos with copper substrate	plaquette frein arrière 1 piston SANS AMIANTE	2	ALL BIKES2012-2015 (BUT50A/F88s/F88se) / ALL BIKES2016 (BUT50A/F88s/F88se/SP2/SP3)
5	YC110-1205-04	Steel brake pedal START	Pédale de frein START	1	88P12/F12512-16/F125s1216/F125se1516/SM125s1216
6	YC110-21-01	Spring for Steel brake pedal' $\Phi$ 3× $\Phi$ 32×7mm	ressort pour pédale de frein Acier $\Phi$ 3× $\Phi$ 32×7mm	1	ALL BIKES2013-14(BUT50A)/ALL BIKES2015-2016(BUT50A/SP1/SP2/SP3)
7	FB20-15×25×2-W	Flat washer $\Phi$ 14.5× $\Phi$ 25×2	rondelle $\Phi$ 14.5× $\Phi$ 25×2	1	F88s13-16/F88se1516/F12513-16/F125s13-16/F125se1516/SM125s13-16
8	GB91- $\Phi$ 2.5×30-W	Slipt Pin $\Phi$ 2.5×30mm	goupille $\Phi$ 2.5×30mm	1	F88s13-16/F88se1516/F12513-16/F125s13-16/F125se1516/SM125s13-16
9	119.1-07016	Pin shaft 7×16mm	axe 7×16mm	1	ALL BIKES2012-16 (BUT50A)
10	GB91- $\Phi$ 1.6×16-W	Split pin 1.6×16mm	goupille 1.6×16mm	1	ALL BIKES2012-16 (BUT50A)
11	GB70-M6×20	Hex. Bolt M6×20	vis M6×20	2	ALL BIKES2013-16(BUT50A)



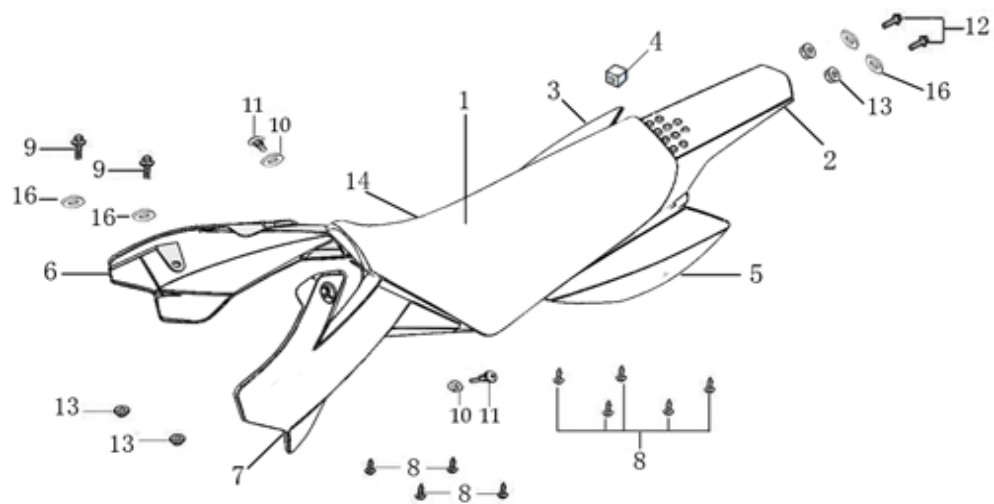
14	YC110-12012-06	Rear brake aasy 1 piston W/T ABESTOS L=370mm 2016	Kit frein arriere 1 piston avec gaine plastic SANS AMIANTE L=370mm 2016	1	F12516/F125s16/F125se16/SM125s16
15	YC110-1201-01	Rear brake bracket T=5MM	patte fixation étrier frein arriere T=5MM	1	ALL BIKES2012-15(BUT50A)/ ALL BIKES2016(BUT50A/SP2/SP3)
16	YC110-1255	Rear Brake pads Screw L=38mm	Vis plaquette AR L=38mm	2	ALL BIKES2012-15(BUT50A)/ ALL BIKES2016(BUT50A/SP2/SP3)
19	YC110-21	Steel Brake pedal	pédale de frein Acier	1	88P12/F12512-16/F125s12-16/F125se1516/SM125s12-16
20	YC110-12021	Rear reservoir puch stick L=115mm	Tige poussoir maitre cylindre L=115mm	1	F88s13-16/F88se1516/F12513-16/F125s13-16/F125se1516/SM125s13-16
21	YC110-120110	rubber for rear caliper	jeu de caoutcgouc d'etrier frein arriere	1	ALL BIKES2012-2015 (BUT50A) /F88s16 /F88se16/F12516/F125s16 /F125se16/SM125s16
23	YC110-21-10	Steel brake pedal end cap	embout pédale de frein Acier	1	F88s12-16/F88se1516/F12512-16/F125s12-16/F125se1516/P88s12-15/P12513-16/P15013-16/SM12-16
25	YC110-12025	Rubber for REAR RESERVOIR PUSH STICK	Caoutchouc tige maitre cylindre frein arrier	1	ALL BIKES2012-2015 (BUT50A) /F88s16 /F88se16/F12516/F125s16 /F125se16/SM125s16
30	GB70-M6x16-Cr	Hex. Bolt M6x16	vis M6x16	2	F88s13-16/F88se1516/F12513-16/F125s13-16/F125se1516/P88s13-15/P12513-16/P15013-16/SM13-16

#### Exhaust system



N	Ref.	Description	Français	Qty/ Bike	MODEL
1	YC110-13016-GY	YCF Muffler 94db START L=295mm (1 springs) 2015 GREY	silencieux YCF 94db 2015 GRISE	1	F88s1516/F88se1516/F1251516/F125s1516/P125se1516/P88s15/P1251516/P1501516/SM1516
2	YC110-13022-02	Exhaust pipe with protection plate $\Phi$ 28 mm START 2013	collecteur avec plaque $\Phi$ 28 mm START 2013	1	F88s13-16/F88se1516/F12513-16/F125s13-16/F125se1516/SM125s13-16

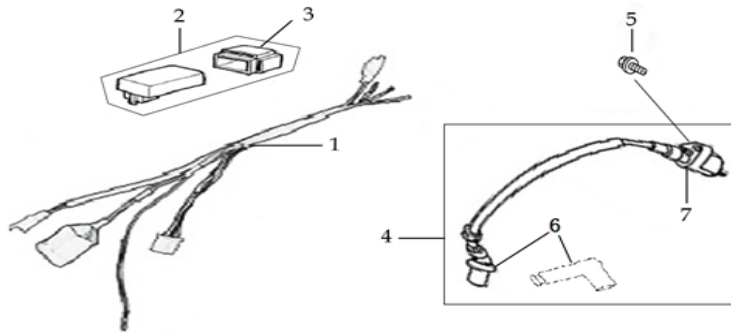
4	18291/152FMH	Exhaust pipe washer $\phi 32 \times \phi 25.5 \times 4$	joint pot $\phi 32 \times \phi 25.5 \times 4$	1	ALL BIKES2012-2016 (BUT50A)
5	GB6170-M6-W	Hex flanged self locking nut M6	écrou M6	2	ALL BIKES
6	GB5787-M8x40-W	Hex. Bolt with flanged M8x40	vis M8x40	1	F88s13-16/F88se1516/F12513-16/F125s13-16/F125se1516/SM125s13-16/SP113-16/SP213-16/SP313-16
7	YC110-13-04	Hoop for muffler YCF START 2011(with FB13- $\phi 10 \times \phi 14 \times 23$ -W 1EA+GB5787-M8x40-W 1EA)	Attache silencieux YCF START 2011	1	5011/F88s12-16/F88se1516/F12512-16/F125s12-16/F125se1516/F88s12-15/P12513-16/P15012-16/SP112-16/SM12-16
8	YC110-136-GY	START Muffler& Exhaust pipe assy YCF 94db (1 spring)	Echappement complet YCF 94db START (1 ressort)	1	F88s1516/F88se1516/F1251516/F125s1516/F125se1516/SM125s1516
10	YC110-13-201	muffler spring $\phi 6.5 \times \phi 9 \times 50$ mm	ressort pot $\phi 6.5 \times \phi 9 \times 50$ mm	1	ALL BIKES2012-14(BUT50A)/ALL BIKES2015-16 (BUT50A/SP)
11	YC110-138	rubber for muffler spring	caoutchouc ressort pot	1	ALL BIKES2012-16(BUT50A)
12	YC110-1312	Protection for exaust pipe START SM125s 2013	Grille pot START SM125s	1	F88s13-16/F88se1516/F12513-16/F125s13-16/F125se1516/SM125s13-16
15	YC110-13-32	Muffler end cap YCF	Emout silencieux YCF	1	5011/F88s12-16/F88se1516/F12512-16/F125s12-16/F125se1516/F88s12-15/P12513-16/P15013-16/SM12-16/SP113-16
17	YC110-13-301	Noise reducer (spark arrestor) YCF START	Bride de pot YCF START	1	F88s12-16/F88se1516/F12512-16/F125s12-16/F125se1516/F88s12-15/P12513-16/P15013-16/SM12-16/SP112-16
20	YC110-13-21	muffler spring with rubber	ressort pot avec le caoutchouc	1	ALL BIKES2012-14(BUT50A)/ALL BIKES2015-16 (BUT50A/SP)
21	FB13-10x14x23-W	Muffler Hoop spacer $\phi 10 \times \phi 14 \times 23$ mm	Entretoise attache silencieux $\phi 10 \times \phi 14 \times 23$ mm	1	F88s13-16/F88se16/F12513-16/F125s13-16/F125se1516/SM125s13-16
24	GB70.2-M6x10-Cr	Plus screw M6x10	vis M6x10	4	ALL BIKES2013-16
25	GB93- $\phi 6$ -W	Standard spring washer $\phi 6$	rondelle $\phi 6$	4	ALL BIKES2013-16
26	GB97- $\phi 6$ -W	flat washer $\phi 6$	rondelle $\phi 6$	4	ALL BIKES2013-16
<b>Seat &amp; Plastic kit</b>					



N	Ref.	Description	Français	Qty/ Bike	MODEL
1	YC110-1401-10	YCF Seat assy L=480mm 2016	selle CRF 50	1	F88s16/F88se16/F12516/ F125s16/F125se16/SM125s16
2	YC110-14-012WH	YCF Rear fender 2013 WHITE	Garde boue arrière YCF 2013 avec Picots BLANC	1	ALL BIKES2015(BUT50A)/F88s16/F88se16/F12516/F125s16/F125se16/SM125s16
3	YC110-14-022WH	YCF right side plastic WHITE	Plaque latérale droite YCF BLANC	1	F88s12-16/F88se1516/F12512-16/F125s12-16/F125se1516/P88s15/P1251516/P1501516/SP112-16/SP212-16/SP312-16/SM125s1516
4	YC110-14-03	Cushion for right side plastic	caoutchouc plaque laterale droite	1	ALL BIKES
5	YC110-14-042WH	YCF left side plastic WHITE	Plaque laterale gauche YCF BLANC	1	F88s12-16/F88se1516/F12512-16/F125s12-16/F125se1516/P88s15/P1251516/P1501516/SP112-16/SP212-16/SP312-16/SM125s1516
6	YC110-14-052BK	YCF Right shroud BLACK	Ouie radiateur droite YCF NOIRE	1	ALL BIKES2015-16(BUT50A/50E)
7	YC110-14-062BK	YCF Left side shroud BLACK	Ouie radiateur gauche YCF NOIRE	1	ALL BIKES2015-16(BUT50A/50E)
8	GB845-ST4.8x16-G	Screw for plastic kit ST4.8x16	vis plastique ST4.8x16	9	ALL BIKES2012-16
9	GB5787-M6x20-W	hex. Bolt with flanged M6x20	vis M6x20	2	ALL BIKES
10	YC110-02-13	Rubber washer $\Phi 6 \times \Phi 14 \times 3$ mm	joint caoutchouc $\Phi 6 \times \Phi 14 \times 3$ mm	2	ALL BIKES2012-16
11	FB5787-M5x12-W	hex. Bolt with flanged M5x12	vis M5x12	2	ALL BIKES2012-16
11	GB96- $\Phi 5$ -W	flat washer $\Phi 5 \times \Phi 15$	rondelle $\Phi 5 \times \Phi 15$	2	ALL BIKES2015-16
12	GB5787-M6x20-B	hex. Bolt with flanged M6x20 BLACK	vis M6x20 NOIR	2	ALL BIKES2012-16

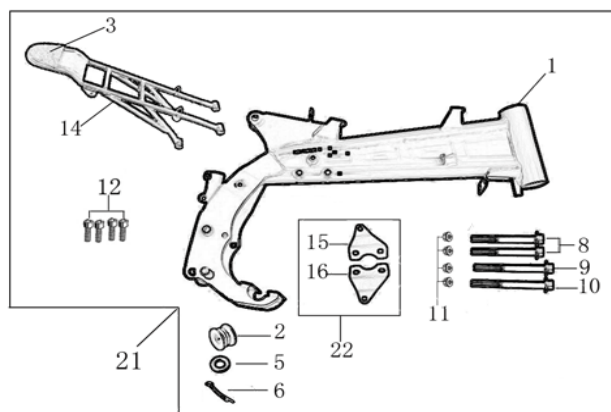
13	GB6177-M6-W	Hex. Flanged nut M6	écrou M6	2	ALL BIKES2012-16
14	YC110-14024	START seat cover 2016	Housse selle START 2016	1	F88s16/F88se16/F12516/F125s16/F125se16/SM125s16
16	YC110-03-01	Rubber washer $\Phi 6 \times \Phi 18 \times 4$ mm	joint caoutchouc $\Phi 6 \times \Phi 18 \times 4$ mm	4	ALL BIKES
16	GB96- $\Phi 6$	flat washer $\phi 6$	rondelle $\phi 6$	4	ALL BIKES2012-16

**ELECTRIC**



N	Ref.	Description	Français	Qty/ Bike	MODEL
1	YC110-1501	Wire harness 125CC	Faisceaux électrique 125CC	1	F12512-16/F125s12-16/P12513-15/P15013-16/SP112-16/SP212-16/SM12-16
2	YC110-1503	CDI Ignitor assy.125cc	CDI 125cc	1	FP1112/F12512-16/F125s12-16/F125se1516/P12513-15/P15013-16/SM12-16/SP112-16/SP212-16
3	YC110-1501-03	Ignitor rubber	caoutchouc cdi	1	ALL BIKES2012-16 (BUT50A/SP3)
4	YC110-1504-02	Ignitor coil L=240mm	bobine haute tension L=240mm	1	F12512-16/F125s12-16/F125se1516/P88s12-15/P12513-16/P15013-16/SM12-16/SP114-16/SP214-16
5	GB5787-M6x20	Hex. Bolt with flanged M6x20	vis M6x20	1	ALL BIKES2013-16(BUT50A/SP3)
6	YC110-1505	anti interference red	anti parasite rouge	1	ALL BIKES2012-2016 (BUT50A/SP3)
7	YC110-1504	Ignitor coil	bobine haute tension	1	ALL BIKES2012-2016 (BUT50A/SP3)

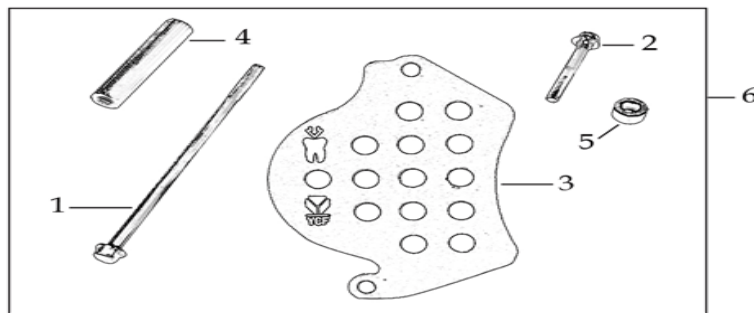
**Frame**



N	Ref.	Description	Français	Qty/ Bike	MODEL
1	YC110-175-03-WH	START Frame Chromolly 2015 WHITE	Cadre Chromolly START bras mono 2015 BLANC	1	F1251516/F125s1516
2	YC110-2201	YCF Chain tensioner component	roulette chaine YCF	1	ALL BIKES2011-2016 (BUT50A)
3	YC110-0700-11	Tail cover sponge	Mousse Boucle arriere	1	ALL BIKES2014-16(BUT50A/SP3)
5	GB97-Φ10-W	Flat washer φ10x17x2	rondelle φ10x17x2	1	ALL BIKES2014-16 (BUT50A)
6	GB91-Φ2×25-W	cotter pin φ2.0×25	goupille φ2.0×25	1	ALL BIKES2013-16
8	GB5787-M8×70-W	Hex. Bolt with flanger M8×70	vis M8×70	2	F12513-16/F125s13-16/F125se1516/SM125s13-16
9	GB5787-M8×110-W	Hex. Bolt with flanger face M8X110	vis m8x110	1	F88s13-16/F88se1516/F12513-16/F125s13-16/F125se1516/P88s13-15/P12513-16/P1513-16/P15013-16/SM13-16
9	GB5787-M8×105-W	Hex. Bolt with flanger M8x105	vis M8x105	1	F12513-16/F125s13-16/F125se1516/SM125s13-16/SP113-16/SP213-16/SP313-16
10	GB6187-M8-W	Self locking nut M8	ecrou M8	2	ALL BIKES
12	GB70-M8×20	Hex. Bolt M8X20	vis M8x20	2	F88s13-16/F88se1516/F12513-16/F125s13-16/F125se1516/SP113-16/SP213-16/SP313-16/SM125s13-16
12	GB70-M8×25	Hex. Bolt with flanger M8x25	vis boucle arriere M8x25	2	F12513-16/F125s13-16/F125se1516/P88s13-15/P12513-16/P15013-16/SM13-16
14	YC110-16-023BK	START rear frame part BLACK	Boucle arrière START NOIRE	1	SM15011/F12512-16/F125s12-16/SM125s12-16
15	YC110-16-031-BK	frame engine pads left START BLACK	patte de cadre gauche START NOIRE	1	88P12/F12513-16/F125s13-16/F125se1516/SM125s13-16

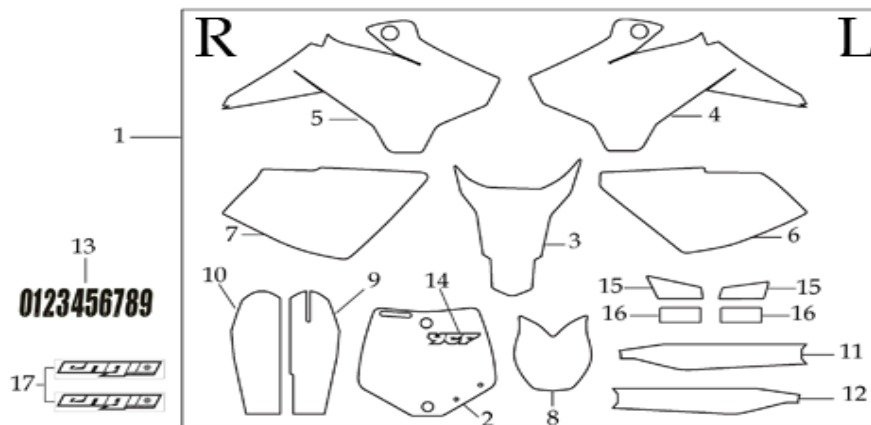
16	YC110-16-041-BK	frame engine pads right START BLACK	patte de cadre droite START NOIRE	1	88P12/F12513-16/F125s13-16/F125se1516/SM125s13-16
21	YC110-166-02-WH	complète frame START F125s / F125 +6mm WHITE / Black pads	cadre complet START F125s / F125 +6mm BLANC / pattes Noires	1	F1251516/F125s1516
22	YC110-16-061-BK	set of engine pads START BLACK	jeu de patte de cadre START NOIRE	1	88P12/F12513-16/F125s13-16/F125se1516/SM125s13-16

**FRONT SPROCKET PROTECTION**



N	Ref.	Description	Français	Qty/ Bike	MODEL
1	GB5787-M6×120-Cr	Hex. Bolt with flanger M6×120 Chrome	vis M6×120	1	ALL BIKES2012-16 (BUT50A/F88se/F125se/SP3)
2	GB5787-M6×40-Cr	Hex. Bolt with flanger M6×40 Chrome	vis M6×40	1	ALL BIKES2012-16 (BUT50A/F88se/F125se/SP3)
3	YC110-24-071-BK	Aluminium chain protection 2013 START BLACK	Protection PSB Aluminium 2013 START NOIR	1	F88s13-16/F12513-16/F125s13-16/SM125s13-16
4	FB13-7×12×55-W	bushing $\Phi 7 \times \Phi 12 \times 55$	entretoise $\Phi 7 \times \Phi 12 \times 55$	1	ALL BIKES2012-16 (BUT50A/F88se/F125se/SP3)
5	FB13-7×12×7-W	bushing $\Phi 7 \times \Phi 12 \times 7$	entretoise $\Phi 7 \times \Phi 12 \times 7$	1	ALL BIKES2012-16 (BUT50A/F88se/F125se/SP3)
6	YC110-251BK	Complete Aluminium chain protection 2013 START BLACK	Protection complète PSB Aluminium 2013 START NOIR	1	F88s13-16/F12513-16/F125s13-16/SM125s13-16

**GRAPHICS**



N	Ref.	Description	Français	Qty/ Bike	MODEL
1	KD1252016	START F125 complete graphic kit 2016 GREEN	Kit deco complet START F125 2016 VERT	1	F12516
2	YC110-33-013	START F125 Front plate graphic 2016	Sticker Plaque avant START F125 2016	1	F12516/F125s16/F125se16
3	YC110-33-020	START Rear mudguard graphic 2016	Sticker GB Arriere START 2016	1	F88s16/F88se16/F12516/F125s16/F125se16
4	YC110-33-033	START F125 Left shrouder graphic 2016 YELLOW	Sticker Ouie gauche radiateur START F125 2016 JAUNE	1	F12516
5	YC110-33-043	START F125 Right shrouder graphic 2016 YELLOW	Sticker Ouie droite radiateur START F125 2016 JAUNE	1	F12516
6	YC110-32-053	START F125 Left side plate graphic 2015	Sticker Plaque laterales gauche START F125 2015	1	F1251516
7	YC110-32-063	START F125 Right side plate graphic 2015	Sticker Plaque laterales droite START F125 2015	1	F1251516
8	YC110-33-073	START F125 front fender Front fender graphic 2016	Sticker GB Avant START F125 2016	1	F12516/F125s16/F125se16
9	YC110-33-083	START F125 Front left shock protection graphic 2016	Sticker Protection gauche fourche START F125 2016	1	F12516
10	YC110-33-093	START F125 Front right shock protection graphic 2016	Sticker Protection droit fourche START F125 2016	1	F12516
	YC110-1909	Sticker FACTORY Shock Absorber	Autocollant FACTORY Amortisseur	1	ALL BIKES2013-16 (BUT50A/SP3)
	YC110-1910	GAS TANK STICKER	STICKER RESERVOIR	1	ALL BIKES2013-16(BUT50A)
	YC110-1901	Sticker Chain	Autocollant Chaines	1	ALL BIKES2013-16

YC110-1902	Sticker Tire	Autocollant Pression Pneu	1	ALL BIKES2013-16
YC110-1903	Sticker Warning OIL Level	Autocollant Attention Niveau Huile	1	ALL BIKES2013-16
YC110-1904	Sticker Rear Mudguard 70×57mm	Autocollant garde boue arriere 70×57mm	1	ALL BIKES2013-16
YC110-1905	Sticker CE	Autocollant CE	1	ALL BIKES2013-16
YC110-1906	Warning sticker	Sticker Attention	1	ALL BIKES2013-16
YC110-1907	Warning Sticker Transport	Sticker Caisse Avertissement Transport	1	ALL BIKES2013-16
YC110-1908	Warning Sticker Shosk Absorber	Sticker Avertissement Amortisseur	1	ALL BIKES2013-16

## ENGINES

MOTEUR125P	ENGINE 125 YX "O" Start	MOTEUR YX 125 Demarage en Prise	1	F12513-16/P12513-16
17311/152FMIFA56-2	Inlet Pipe,Pro R-START 125 2012	PIPE ADMISSION R-START 125 2012	1	F12513-16/F125s13-16/F125se1516/P12513-16/P15013-16/SM13-16
17322/152FMH	carburettor paper gasket Φ28	joint papier carburateur Φ28	1	ALL BIKES2015-16 (BUT50A/SP3190)
17332/152FMH01	Intake Gasket	JT PAPIER PIPE ADMISSION	1	ALL BIKES2015-16 (BUT50A/SP3190)
F00C039	carburettor isolating gasket Φ27.5	joint plastique carburateur Φ27.5	1	ALL BIKES2015-16 (BUT50A/SP3190)
11411/152FMH	Crankcase Cover, LH	CARTER ALLUMAGE	1	ALL BIKES2015-16 (BUT50A/SP3190)
RCSC-BK	Right crankcase small Cover 88/125 2014 BLACK	DEMI CARTER EMBRAYAGE NOIR 88/125	1	F88s14-16/F88se1516/F12514-16/F125s14-16/F125se1516/P88s1415/P12514-16/SM125s14-16
43451/152FMH	STARTER KICK SMALL HOLE	KICK PETIT DIAMETRE	1	F88s13-16/F88se1516/F12513-16/F125s13-16/F125se1516/SM125s13-16
24700/152FMH	Gearshift Pedal	SELECTEUR	1	F12513-16/P12513-16/P15013-16/SM15013-16/SP113-16/SP213-16/SP313-16



**KIT CARBU**

YC110-3847	MIKUNI Carburetor 26 RS/RSSA/SM125 2012 with main jet 95 and slow jet 15	Carburateur 26 MIKUNI RS/RSSA/SM125 2012 GICLEUR 95 GICLEUR 15	1	F12513-16/F125s13-16/F125se1516/P12513-16/SM125s13-16
GICLEUR95	main jet 95	GICLEUR 95	1	F12513-16/F125s13-16/F125se1516/P12513-16/SM125s13-16
GICLEUR15	slow jet 15	GICLEUR 15	1	F12513-16/F125s13-16/F125se1516/P12513-16/SM125s13-16
YC110-3847-01	Carburetor spring $\Phi$ 17×70mm	Ressort Carbu	1	F12513-16/F125s13-16/F125se1516/P12513-16/P15013-16/SP113-16/SP213-16/SP315013-15/SM13-16

**CARTONS - CAISSES MOTOS**

YC110-CARTON-RS	BIKE BOX R START 1470×380×820mm	CARTON EMBALLAGE MOTO R START	1	F88s13-16/F12512-16/F125s12-16/P88s13-15/P12513-14/SM125s13-15
YC110-FOAMBOX	Foam box 2014 420×340×160mm	Cale PS	1	ALL BKIES2014-16
YC110-FILM	Protective film for seat 600×600×0.02mm	Protection plastique Selle	1	ALL BKIES2014-16

**CATALOGUES - FICHES MOTOS - FICHES STICKER**

YC110-0700-01	Accessory tools	Trousse a outils	1	ALL BIKES
YC110-0700-0201	Owner manual 2015	Manuel Utilisation 2015	1	ALL BIKES2013-16
YC110-0700-0401	Vin Plate 2015	Plaque Vin 2015	1	ALL BIKES2013-16
YC110-0700-03	A4 sheet assy	Fiche A4	1	ALL BIKES

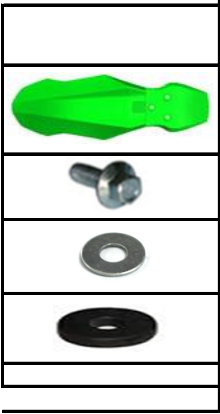
2016

























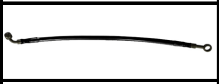


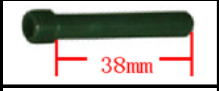
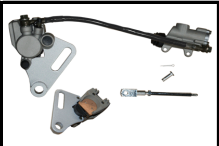






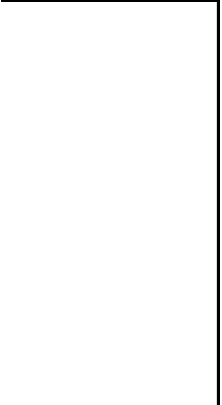




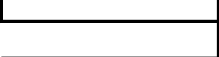
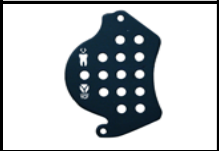
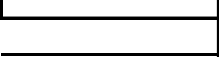
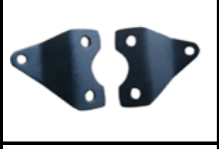
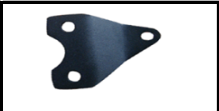


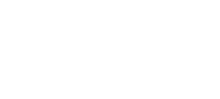
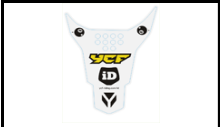














**TIRE INFORMATION - PNEUS**

OLD THE PRESSURE FROM 20 PSI TO 28 PSI (1.4 BAR) FROM 33 PSI TO 42 PSI (2.3 BAR) TO INCREASE FUEL CONSUMPTION AND TO INCREASE THE RISK OF A FLAT TIRE. ALWAYS CHECK THE PRESSURE BEFORE EACH TRIP.

PRESSION PNEUS A FROID AVANT 2 BAR - ARRIERE 2.2 BAR  
POUR INCREASE FUEL CONSUMPTION AND TO INCREASE THE RISK OF A FLAT TIRE, ALWAYS CHECK THE PRESSURE BEFORE EACH TRIP.

**WARNING - IMPORTANT**

BEFORE OPERATING THIS VEHICLE, YOU MUST CHECK THE ENGINE OIL LEVEL.  
AVANT DE DEMARRER LE VEHICULE, VERIFIER LE NIVEAU D'HUILE MOTEUR.

**WARNING - AVERTISSEMENT**

ATTENTION: THIS VEHICLE IS NOT TO BE OPERATED ON A PUBLIC ROAD. IT IS ONLY TO BE USED IN A PRIVATE AREA. ALWAYS WEAR YOUR SEATBELT AND DO NOT DRINK AND DRIVE. ALWAYS CHECK THE PRESSURE BEFORE EACH TRIP.

ATTENTION: CE VEHICULE N'EST PAS DESTINE A ETRE UTILISE SUR UN VOIE PUBLIQUE. IL EST SEULEMENT DESTINE A ETRE UTILISE DANS UN ESPACE PRIVE. TOUJOURS PORTER VOTRE CEINTURE DE SECURITE ET NE PAS BOIRE ET CONDUIRE. TOUJOURS VERIFIER LA PRESSION AVANT CHAQUE TRAVAIL.

CE  
TCT



**NE PAS OUBLIER DE FAIRE LES RESERVES D'UNES AUPRES DU TRANSPORTEUR A RECEPTION DES COLIS SUR LE BON DE LIVRAISON.**

**PLEASE CHECK THE CONDITION OF CRATE AT RECEIPT OF GOODS. ANY DAMAGE SHOULD BE NOTED ON THE CONNOTE WITH THE FREIGHT CARRIER.**

**WARNING - AVERTISSEMENT**

WARNING: THE SHOCK ASSEMBLY IS NOT LOCKED.  
ATTENTION: LA VIS DE L'AMORTISSEUR N'EST PAS SERREE.

