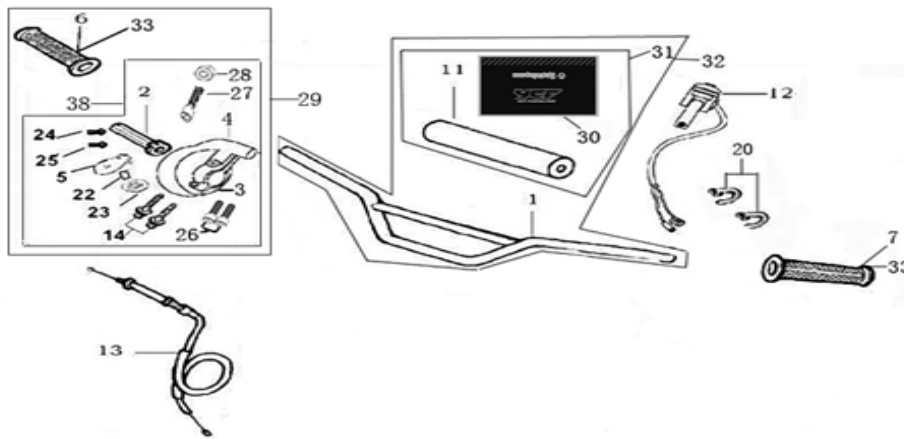




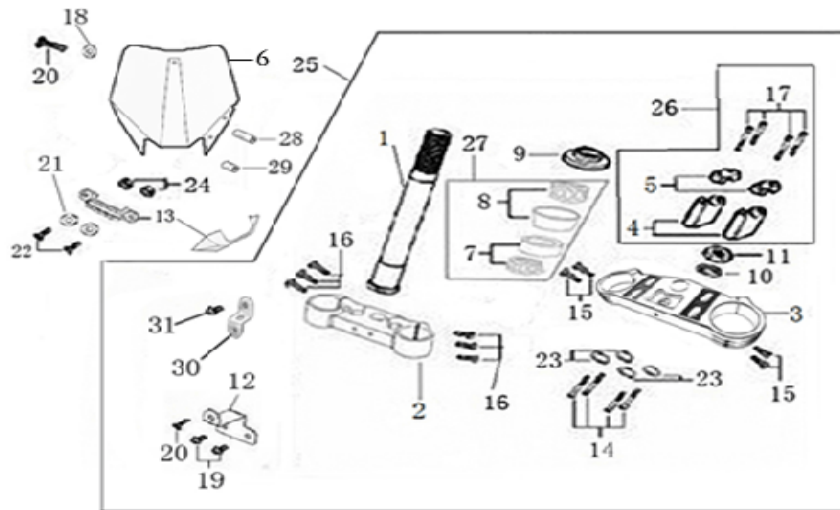
Handle bar assembly



N°	Ref.	Description	Français	Qty/ Bike	MODEL
1	YC110-0101	Handle Bar START Chromelly L=740mm	Guidon chromolly START L=740mm	1	F88s12-16/F88se16/F12512-16/F125s12-16/F125se16/SM125s12-16 / P88s13-16/P12513-16/P15013-16
2	YC110-01021-01	YCF Throttle Body 2012 BLACK	plastique poignée de gaz YCF 2012 NOIR	1	ALL BIKES 2012-2016
3	YC110-01021-04	YCF Lower Throttle Body Housing 2012	dessous poignée gaz YCF 2012	1	50A12-16/F88s12-16/F88se16/F12512-16/F125s12-16/F125se16/P88s12-15/P12514-16/SM125s14-16
4	YC110-01021-03	Upper Throttle Body Housing YCF 2012	dessus poignée gaz YCF 2012	1	ALL BIKES 2012-2016
5	YC110-01021-02	Upper Throttle Body Housing Cover YCF 2012	plastique du dessus poignée gaz YCF 2012	1	ALL BIKES 2012-2016
6	YC110-01-01-GY	YCF Right Grip GREY	poignée caoutchouc droite YCF GRISE	1	ALL BIKES 2012-2016
7	YC110-01-02-GY	YCF Left Grip GREY	poignée caoutchouc gauche YCF GRISE	1	ALL BIKES 2012-2016
11	YC110-0110-01	Bar pad for Chromolly Handlebar L=250 mm	Mousse guidon pour guidon Chromolly L=250 mm	1	F88s12-16/F88se1516/F12512-16/F125s12-16/F125se1516/P88s13-15/P12513-16/P15012-16/SM125s12-16

12	YC110-0105-01	Kill Switch ON/OFF L=580mm	Coupe circuit on off L=580mm	1	ALL BIKES2012-16 (BUT50A/SPIII)
13	YC110-0106	Throttle Cable L=840mm A+B=125	Cable gaz L=840mm A+B=125	1	ALL BIKES2012-2016(BUT50/F88s/F88se)
14	GB5787-M6×22-G	Hex. Bolt with Flanged Face M6X22	vis M6X22	2	ALL BIKES2012-16(BUT50A)
20	YC110-01-03-BK	Tape 150mm BLACK	colier maintien cable 150mm NOIR	2	ALL BIKES
20	YC110-01-03-WH	Tape 150mm WHITE	colier maintien cable 150mm BLANC	2	ALL BIKES
20	YC110-01-05-BK	Tape 350mm BLACK	colier maintien cable 350mm NOIR	5	ALL BIKES
22	YC110-0102-08	YCF Throttle cable Bearing $\Phi 8 \times \Phi 16 \times 5$ mm	Roulement poignee gas YCF $\Phi 8 \times \Phi 16 \times 5$ mm	1	ALL BIKES2012-2016
23	YC110-0102-07	YCF Throttle cable guide pulley plastic $\Phi 12 \times \Phi 16 \times \Phi 28 \times 8$ mm	Roulette plastique Poignee Gas YCF $\Phi 12 \times \Phi 16 \times \Phi 28 \times 8$ mm	1	ALL BIKES2012-2016
24	GB819-M4×12	Plus screw M4×12	vis M4×12	1	ALL BIKES2012-2016
25	GB819-M4×20	Plus screw M4×20	vis M4×20	1	ALL BIKES2012-2016
26	GB70-M6×20-B	Hex. Bolt M6x20 BLACK	vis M6x20 NOIR	2	ALL BIKES2012-2016
27	GB70-M5×12	Hex. Bolt M5×12	vis M5×12	1	ALL BIKES2012-2016(BUT50A)
30	YC110-012021-BK	PVC for Bar Pad suitable Chromolly Handlebar 246mm×156mm 2013 BLACK	PVC mousse guidon Chromolly 246mm×156mm 2013 NOIR	1	F88s12-16/F88se1516/F12512-16/F125s12-16/F125se1516/P88s13-15/P12513-16/P15012-16/SM125s12-16
31	YC110-0132BK	Complete Bar Pad for Chromolly Handlebar L=250mm 2013 BLACK	Mousse guidon complete pour guidon Chromolly L=250mm 2013 NOIR	1	F88s12-16/F88se1516/F12512-16/F125s12-16/F125se1516/P88s13-15/P12513-16/P15012-16/SM125s12-16
32	GA02-BK	Chromelly Handle Bar with bar pad and pvc START / PILOT / SM125s 2013	Guidon chromolly complet avec Mousse et Pvc START / PILOT / SM125s 2013	1	F88s12-16/F88se1516/F12512-16/F125s12-16/F125se1516/P88s13-15/P12513-16/P15012-16/SM125s12-16
33	PPC010-GY	YCF set of grip GREY	Paire de poignée caoutchouc YCF GRISE	1	ALL BIKES2012-2016
38	YC110-01021-N	YCF Throttle Assy. 2012 without grip (with YC110-0102-08 1EA)	Poignee gaz réglable YCF 2012 nue	1	ALL BIKES12-13(BUT50CC)/F88s14-16/F88se1516/F12514-16/F125s14-16/F125se1516/P88s1415/P12514-16/SM125s14-16
39	YC50-0105-01	YCF50 Start switch L=500mm	Bouton demareur YCF50 L=500mm	1	50A12-16/F88se1516/F125se1516

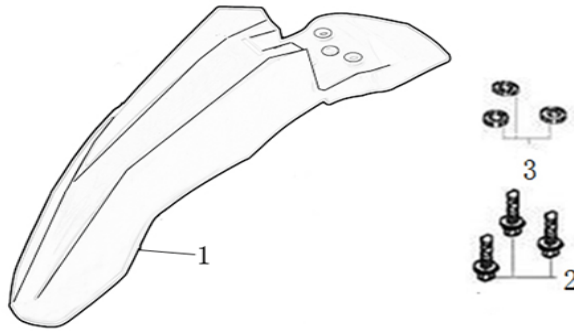
Steering stem assembly



N	Ref.	Description	Français	Qty/ Bike	MODEL
1	YC110-0201-03	Steering stem 233 mm	tige colonne direction 233 mm	1	ALL BIKES2012-16(BUT50A/F88s/F88se)
2	YC110-0202-39-BK	Lower triple clamp 160 mm ϕ 48mm 2014 MATT BLACK	té fourche inférieur 160 mm ϕ 48mm NOIR MAT	1	F88s14-16/F88se1516/F12514-16/F125s14-16/F125se1516/SM125s14-16/SM1501516/SP114
3	YC110-0201-39-BK	Top Triple Clamp 160mm ϕ 45mm 2014 (not adjustable) MATT BLACK	té fourche supérieur 160 mm ϕ 45mm (non ajustable) 2014 NOIR MAT	1	F88s14-16/F88se1516/F12514-16/F125s14-16/F125se1516/SM125s14-16/SM1501516/SP114
4	YC110-0203-23	Lower Bar Mount CNC START type, not adjustable ϕ 22.2 / height 55 mm BLACK	Pontet guidon inférieur non ajustable type START ϕ 22.2 / hauteur 55 mm NOIR	2	ALL BIKES2012-2016(BUT50A/SP1/SP2/SP3)
5	YC110-0202-04	Top Bar Mount CNC ϕ 22.2 mm/height 18mm START Type BLACK	pontet guidon supérieur ϕ 22.2 mm Type START NOIR	2	ALL BIKES2013-15/ALL BIKES2016(BUTSP3)
6	YC110-0212-07PK	Front Number Plate 2014 PINK	PLAQUE AVANT 2014 ROSE	1	F125se1516/
7	297-46/23.5	Lower Taper roller bearing 46/23.5	roulement inférieur 46/23.5	1	ALL BIKES2012-16(BUT50A/F88s/F88se)
8	297-46/22	Top Taper roller bearing 46/22	roulement supérieur 46/22	1	ALL BIKES2012-16(BUT50A/F88s/F88se)
9	YC110-02-09	Top nut for steering ϕ 52	écrou crantellé colonne direction ϕ 52	1	ALL BIKES2012-2016
10	YC110-02-10	Washer for steering stem nut ϕ 22.5 \times ϕ 36 \times 0.7	joint colonne direction ϕ 22.5 \times ϕ 36 \times 0.7	3	ALL BIKES2012-2016
11	YC110-02-11	Nut for steering stem M22	écrou supérieur colnne direction M22	1	ALL BIKES2012-2016

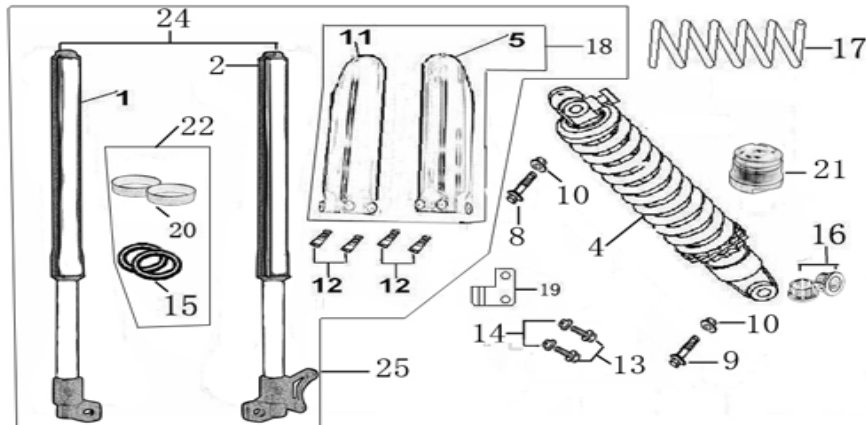
13	YC110-0214-01-WH	Break Line Retainer 2014 White (with GB9074.5-M4×10-W 1EA)	guide durite sur plaque avant 2014 Blanc	1	ALL BIKES2014-2016(BUT50A/F88s/F88se/P88s)
14	GB70-M8×30	Stud screw M8X30	vis M8X30	4	ALL BIKES2012-16 (BUT50A)
15	GB70-M6×25	Stud screw M6X25	vis M6X25	4	ALL BIKES2012-16 (BUT50A)
16	GB70-M6×25	Stud screw M6X25	vis M6X25	4	ALL BIKES2012-16 (BUT50A)
17	GB70-M8×25	Stud screw M8X25	vis M8X25	4	ALL BIKES2012-16 (BUT50A)
18	GB97-Φ6-W	flat washer φ6	rondelle φ6	1	ALL BIKES2012-16
19	GB5787-M6×16-W	Hex. Bolt with Flanged Face M6X16	vis M6X16	2	ALL BIKES2012-2016
20	GB9074.5-M6×12-W	Plus screw M6X12 (for bottom front No plate)	vis m6x12 bas plaque No avant	1	ALL BIKES2014-2016(BUT50A/F88s/F88se/P88s)
21	GB97-Φ4-W	flat washer φ4	rondelle φ4	1	ALL BIKES2012-16
22	GB818-M4×10-W	Plus screw M4×10	vis M4×10	1	ALL BIKES2012-16
23	GB93-Φ8-W	Spring washer Φ8mm	rondelle Φ8mm	4	ALL BIKES2012-2016
25	YC110-02-041-BK	Complete Triple Clamp (TOP45 / BOTTOM 48) START Type 2014 MATT BLACK	Te Fourche Complet (TE SUP. 45 / TE INF.48 Type START 2014 NOIR MAT	1	F12514-16/F125s14-16/F125se1516/SM125s14-16/SM1501516
26	YC110-0203-05	Set of Bar mount not adjustable φ22.2mm/bottom 55mm START Type BLACK (with GB70-M8×25 4EA+GB70-M8×30 4EA+GB93-Φ8-W 4EA)	jeu pontet guidon non ajustable φ 22.2mm / pontet bas 55mm Type START NOIR	1	ALL BIKES2012-2016(BUT50A/SP1/SP2/SP3)
27	KRDIRECTION46	set of bearing for steering 46/23.5、46/22	kit rlt colonne direction 46/23.5、46/22	1	ALL BIKES2012-16(BUT50CC/F88s/F88se)
30	YC110-0213-08	Number plate bracket 2014	support plaque avant 2014	1	ALL BIKES2014-2016(BUT50A/F88s/F88se/P88s)
31	GB5787-M6×16-W	Hex. Bolt M6X16	vis M6×16	1	ALL BIKES2012-2016
32	YC110-02-20	Washer for steering stem nut	joint colonne direction	1	ALL BIKES2015-2016 (But50A/F88s/F88se)

Front Fender



N	Ref.	Description	Français	Qty/ Bike	MODEL
1	YC110-032-01PK	YCF Front Fender 2014 PINK	GARDE BOUE AVANT 2014 ROSE	1	F125se1516
2	GB5787-M6×20-W	Hex. Bolt with flanged M6X20	vis M6X20	3	ALL BIKES
	GB96-Φ6-W	Washer φ6×φ18mm	Rondelle φ6×φ18mm	3	ALL BIKES
3	YC110-03-01	Rubber washer Φ6×Φ18×4mm	caoutchouc Φ6×Φ18×4mm	3	ALL BIKES

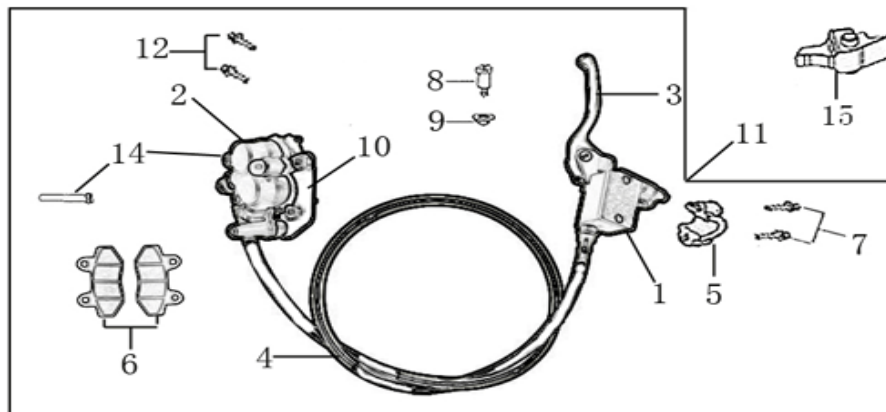
Front & Rear absorber



N	Ref.	Description	Français	Qty/ Bike	MODEL
1	YC110-0401-01	Front right fork 660mm (not adjustable) GREY	Tube fourche droit 660mm GRIS	1	F12513-16/F125s13-16/F125se1516/P88s13-16/P1251314/SM125s13-16
2	YC110-0402-19	Front left fork 660mm (not adjustable) GREY	Tube fourche gauche 660mm GRIS	1	F12516/F125s16/F125se16/P12516/SM125s16
4	YC110-0404-14	Shock absorber START 270mmx850lbs YELLOW	Amortisseur START 270 x 850lbs JAUNE	1	F12513-16/F125s13-16/F125se1516/SM125s13-16
5	YC110-04-017	YCF Left front fork protection 660mm WHITE	Protection fourche YCF gauche 660mm BLANC	1	F12513-16/F125s13-16/F125se1516/P88s13-15/P1251314/SM125s13-16
8	GB5787-M12×50-W	Hex.bolt with flanged face M12x1.25x50	vis M12x1.25x50	1	F88s13-16/F88se1516/F12513-16/F125s13-16/F125se1516/SM125s13-16

9	GB5787-M12×45-W	Hex. Bolt with flanged M12X45	vis M12X45	1	F88s13-16/F88se1516/F12513-16/F125s13-16/F125se1516/F88s13-15/P12513-16/P15013-16/SM13-16
10	GB6187-M12-W	Self-locking Nut M12	écrou M12	2	ALL BIKES2012-2016(BUT50A)
11	YC110-04-026	YCF Right front fork protection 660 mm WHITE	Protection fourche droite YCF 660 mm BLANC	1	F12513-16/F125s13-16/F125se1516/P88s13-15/P1251314/SM125s13-16
13	GB5787-M6×16-W	Plus screw M6X16	vis M6X16	2	ALL BIKES2012-2016
14	GB6177-M6-W	Hex. Flanged nut M6	écrou M6	2	ALL BIKES2013-15(BUT50A)/F88s16/F88se16/F12516/F125s16/F125se16/SM125s16
16	YC110-0419	shock bottom spacer ϕ 12mm (same for top/bottom) LB	entretoise amortisseur bas ϕ 12 mm pour bras mono LB	4	F88s13-16/F88se1516/F12512-16/F125s12-16/F125se1516/SM125s12-16
18	YC110-0418-01WH	Set of fork protection 660 mm YCF WHITE	Jeu protection fourche 660 mm YCF BLANC	1	F12513-16/F125s13-16/F125se1516/P88s13-15/P1251314/SM125s13-16
19	YC110-0403-02	oil steel line retainer on left front fork	passse durite sur protection fourche gauche	2	ALL BIKES2013-15(BUT50A)/F88s16/F88se16/F12516/F125s16/F125se16/SM125s16
	YC110-0421-01	oil steel line retainer on left front fork	passse durite sur protection fourche gauche	1	ALL BIKES2013-15(BUT50A)/F88s16/F88se16/F12516/F125s16/F125se16/SM125s16
24	YC110-0400-19	Pair of fork 660mm (not adjustable) GREY 2016	Jeu de fourche 660mm GRIS 2016	1	F12516/F125s16/F125se16/SM125s16

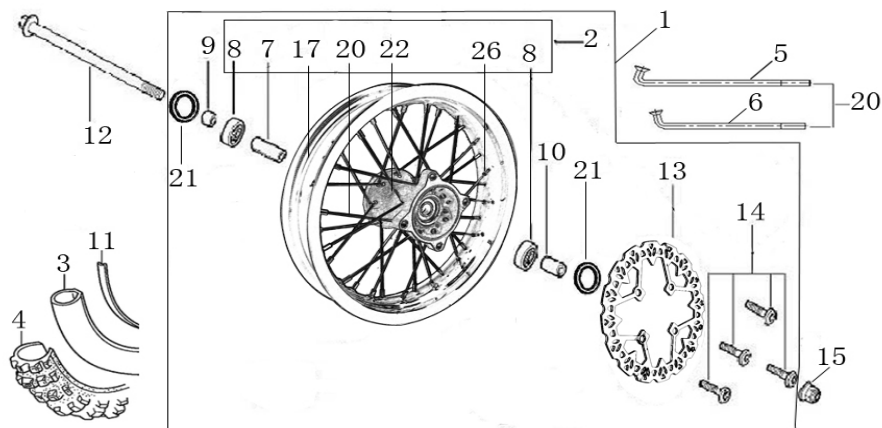
Front Brake Assy



N	Ref.	Description	Français	Qty/ Bike	MODEL
1	YC110-0501-0102	Front Brake Reservoir for 2 pump	maitre cylindre frein avant pour étrier 2 pistons	1	ALL BIKES2012-15(BUT50A)/F88s16/F88se16/F12516/F125s16/F125se16/SM125s16

2	YC110-0501-0205	Front Brake caliper for 2 pump w/t abestos	étrier frein avant double pistons sans amiante	1	ALL BIKES2012-15 (BUT50A/F88s/F88se) /F12516/F125s16/F125se16/P12516/P15016/SP116/SM16
3	YC110-0501-014	Front brake lever 2014 With notch	LEVIER FREIN 2014	1	ALL BIKES2014-15(BUT50A)/ALL BIKES2016(BUT50A/SP2/SP3)
4	YC110-0501-0312	Front brake steel line L=1080mm M10/Φ10 BLACK 2016	durite frein avant L=1080mm M10/Φ10 NOIR 2016	1	F12516/F125s16/F125se16/P12516/SM125s16
5	YC110-0501-022	Brake perch bracket for double pump	demi cocotte frein avant pour frein double pistons	1	ALL BIKES2012-16(BUT50A)
6	YC110-0501-0403	Front Brake pads for double pump brake with copper substrate	jeu plaquette frein avant pour frein 2 pistons SANS AMIANTE	2	ALL BIKES2012-15 (BUT50A/F88s/F88se) /F12516/F125s16/F125se16/P12516/P15016/SP116/SM16
7	GB5787-M6×22-G	Hex.bolt with flanged M6X22	vis M6X22	2	ALL BIKES2012-16(BUT50A)
8	HB06-M6×25-G	Hex.bolt with flanged M6X25	vis M6X25	1	ALL BIKES2012-16(BUT50A)
9	GB6177-M6-G	Self-locking nut M6	écrou M6	1	ALL BIKES2012-16(BUT50A)
10	YC110-0501-030	Bracket for front brake 2 pumps	patte frein avant etrier 2 pistons	1	ALL BIKES2012-15 (BUT50A/F88s/F88se) /F12516/F125s16/F125se16/P12516/P15016/SP116/SM16
11	YC110-0501-18	Front brake assy 2 pumps L= 1080mm Φ10/10 w/t abestos 2016	kit frein avant 2 pistons avec gaine plastic L=1080mm Φ10/10 sans amiante 2016	1	F12516/F125s16/F125se16/SM125s16
12	GB70-M6×30-W	Stud screw M6X30	vis M6X30	2	ALL BIKES2012-16 (BUT50A)
14	YC110-0555	caliper screw for front brake L=50mm Army green	vis plaquette frein avant L=50mm	2	ALL BIKES2012-15 (BUT50A/F88s/F88se) /F12516/F125s16/F125se16/P12516/P15016/SP116/SM16
15	YC110-0502-01	rubber for brake lever	caoutchouc levier frein avant	1	ALL BIKES2014-15(BUT50A) /ALL BIKES2016(BUT50A/SP2/SP3)

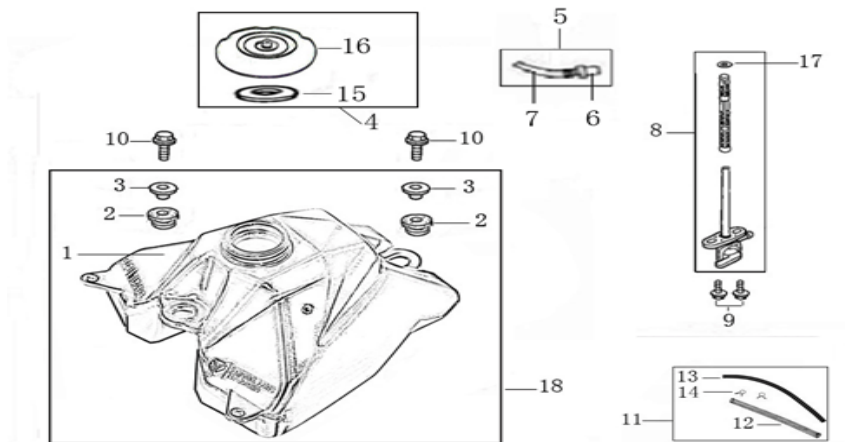
Front Wheel Assy



N	Ref.	Description	Français	Qty/ Bike	MODEL
1	YC110-0601-5D	Complete STEEL Front wheel 1.4x14' with disk 2016. Casting hub	roue avant complète ACIER 1.4x14' moyeux injecte avec disque	1	F12516/F125s16/F125se16/P12516/P15016
2	YC110-0602-51	Complete STEEL Front wheel 1.4x14' without disk. Casting hub	roue avant complète ACIER 1.4x14' moyeux injecte sans disque	1	F12512-16/F125s12-16/F125se16/P12513-16/P15013-16/SP112-15
3	CHAMBRE14	Tube for front tire 60/100-14' GL	chambre air 14' GL	1	F12512-16/F125s12-16/F125se16/P12513-16/P15013-16/SP113-16/SP213-16/SP313-16
	FB6170-M8-Cr	Tire valve nut M8	Ecrou M8	1	ALL BIKES
4	60/100/14	Front tyre 60/100/14' GUANGLI	pneu 60/100/14' GUANGLI	1	F12512-16/F125s12-16/F125se16/P12513-16/P15013-16/SP112-16
7	YC110-0601-02	Front axle bushing $\Phi 16 \times \Phi 22 \times 44$	entretoise central roue avant $\Phi 16 \times \Phi 22 \times 44$	1	ALL BIKES2013-15(BUT50A)/ALL BIKES2016(BUT50A/SP2/SP3)
8	96140-6202-2Z	Ball bearing 6202-2Z $\Phi 35 \times \Phi 15 \times 11$	roulement roue 6202-2Z $\Phi 35 \times \Phi 15 \times 11$	2	ALL BIKES2012-2015 (BUT50A) /ALL BIKES2016 (BUT50A/SP2/SP3)
9	YC110-06-047	Front wheel spacer right $\phi 15 \times \Phi 22 \times 23$ mm with STEP 2015	entretoise roue avant droite $\phi 15 \times \Phi 22 \times 23$ mm	1	ALL BIKES2015(BUT50A)/ALL BIKES2016 (BUT50A/SP2/SP3)
10	YC110-06-052	Front wheel spacer left $\phi 15 \times \Phi 22 \times 33$ mm	entretoise roue avant gauche $\phi 15 \times \Phi 22 \times 33$ mm	1	ALL BIKES2012-2015 (BUT50A)/ALL BIKES2016(BUT50A/SP2/SP3)
11	YC110-06-01	tire lining for 1.4x14'	fond jante av 14'	1	F12512-16/F125s12-16/F125se16/P12513-16/P15013-16/SP112-16/SP212-16/SP312-16
12	YC110-06-061	Front Axle 215 mm with Self-locking nut M14 for Marzocchi style fork	axe de roue avant L=215 mm marzochci avec ecrou M14	1	ALLBIKES2013-16(BUT50A/SM)
13	YC110-0513-02	Front disk $\phi 220$ mm 2016	disque frein avant $\phi 220$ mm 2016	1	ALL BIKES 2016(BUT50A/F88s/F88se)
14	GB70.2-M8x16	Screw for disk M8X16	vis disque frein M8X16	4	ALL BIKES2016 (BUT50A)
15	GB6187-M14-W	Self-locking nut M14	écrou roue avant M14	1	ALL BIKES2012-16(BUT50A)
17	YC110-0601-01	STEEL Rim for Front wheel 1.4x14'	cerceau roue av 1,4x14' ACIER	1	F12512-16/F125s12-16/F125se16/P12513-16/P15013-16/SP112-16
20	JR14-14.5	set of front spoke 14' (147mmx32)	Jeu rayon avant 14' (147mmx32)	1	F12512-16/F125s12-16/F125se16/P12513-16/P15013-16/SP112-16/SP212-16/SP312-16
21	YC110-0611	OIL SEAL $\phi 22 \times 35 \times 5$	joint spy roue $\phi 22 \times 35 \times 5$	2	ALL BIKES2013-16(BUT50A)

22	YC110-0622-02	Front hub casting with oil seal	moyeux avant injectée avec joint spy	1	ALL BIKES2012-15 (BUT50A/SPII/SPIII) / ALL BIKES 2016(BUT50A/SP)
----	---------------	---------------------------------	--------------------------------------	---	---

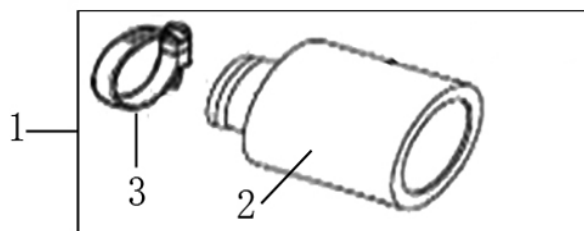
Fuel Tank



N	Ref.	Description	Français	Qty/ Bike	MODEL
1	YC110-0701-01	YCF Fuel tank with YC110-1910 1EA (suitable for pre 2013 bikes)	Reservoir YCF (Adaptable pour motos avant 2013)	1	ALL BIKES2013-16 (BUT50A)
2	YC110-07-01	Cushion for fuel tank	caoutchouc pour reservoir	2	ALL BIKES2011-16
3	YC110-07-02	Washer for fuel tank $\Phi 12 \times \Phi 30 \times 11$ mm	entretoise pour reservoir $\Phi 12 \times \Phi 30 \times 11$ mm	2	ALL BIKES2011-16
4	YC110-0702-01	YCF Tank cap plastic 2013	Bouchon reservoir plastique YCF 2013	1	ALL BIKES2013-16
5	YC125-0704-BK	Fuel tank valve BLACK	Valve prise air NOIR	1	ALL BIKES
6	YC110-0704-BK	Cap of Fuel tank valve BLACK	Capuchon Valve prise air NOIR	1	ALL BIKES
7	YC110-0705-BK	Fuel tank valve Hose L=40mm BLACK	Durite caoutchouc Vale prise air L=40mm NOIRE	1	ALL BIKES
8	YC110-0703	Fuel cock assy.	robinet essence	1	ALL BIKES
9	GB5787-M6×16-W	Hex. Bolt with flanged M6X16	vis M6X16	2	ALL BIKES2012-2016
10	GB5787-M8×25-B	Hex. Bolt with flanged M8X25 BLACK	vis M8X25 NOIR	2	50A13-16/F88s13-16/F88se1516/F12513-16/F125s13-16/F125se1516/SM125s13-16
11	YC110-0706	fuel tank rubber line + spring $\Phi 4.5 \times \Phi 8.5 \times 210$ mm	durite reservoir avec ressort $\Phi 4.5 \times \Phi 8.5 \times 210$ mm	1	ALL BIKES
12	YC110-07061	fuel tank lspring L=180mm	ressort durite reservoir L=180mm	1	ALL BIKES

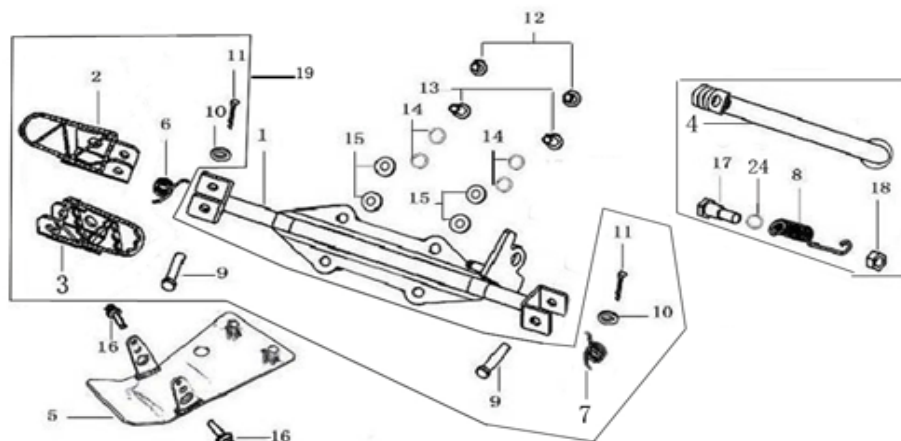
13	YC110-07062	fuel tank rubber line $\Phi 4.5 \times \Phi 8.5 \times 210$	durite reservoir $\Phi 4.5 \times \Phi 8.5 \times 210$	1	ALL BIKES
14	YC110-07063	Holding ring	collier FILTRE	2	ALL BIKES
15	YC110-0720-02	Rubber mat for tank cap plastic $\Phi 14 \times \Phi 52 \times 2\text{mm}$ Oil proof	Caoutchouc bouchon reservoir YCF $\Phi 14 \times \Phi 52 \times 2\text{mm}$	1	ALL BIKES2013-16
17	YC110-0717	O-RING, $\Phi 11 \times 3\text{mm}$ For Fuel tank	Joint Thorique $\Phi 11 \times 3\text{mm}$ pour Reservoir	1	ALL BIKES2013-16 (BUT50A)
18	YC110-0718	YCF Complete fuel tank suitable for pre 2013 bikes (with YC110-07-01 2EA+YC110-07-02 2EA+YC110-1910 1EA)	Reservoir complet YCF 2013 (Adaptable pour motos avant 2013)	1	ALL BIKES2013-16 (BUT50A)

Air Filter



N	Ref.	Description	Français	Qty/ Bike	MODEL
1	YC110-0802-01-RD	Air filter assy $\Phi 38\text{mm}$ 2014 (with YC110-0805 1EA)	filtre air $\Phi 38\text{mm}$ Complet 2014	1	F12514-16/F125s14-16/F125se1516/P1251415/P1501415/SM125s14-16/SM1501415
2	YC110-0801-01-RD	Air filter $\Phi 38\text{mm}$ YCF LOGO 2014 RED	YCF filtre seul $\Phi 38\text{mm}$ 2014 ROUGE	1	F12514-16/F125s14-16/F125se1516/P1251415/P1501415/SM125s14-16/SM1501415
3	YC110-0805	Holding ring $\phi 27-\phi 51\text{mm}$	collier Filtre $\phi 27-\phi 51\text{mm}$	1	ALL BIKES2012-2016 (BUT50A)

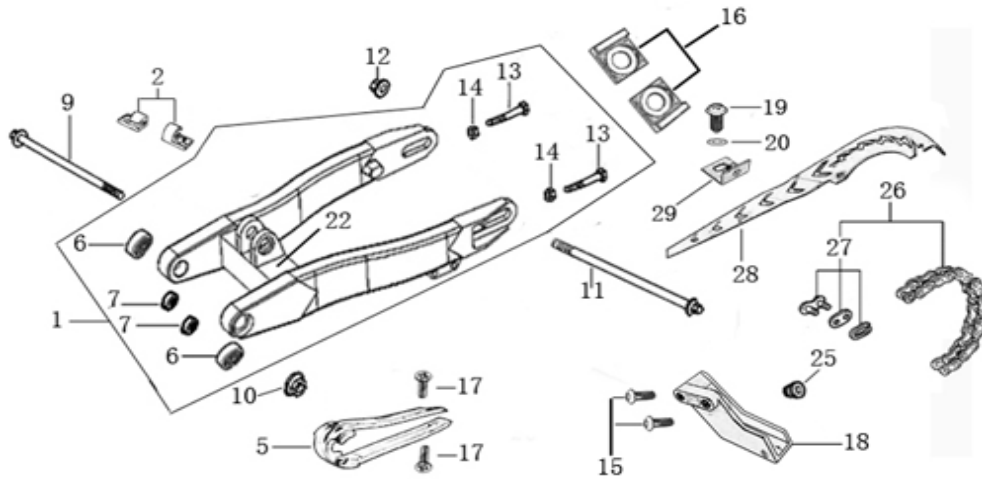
Foot Peg assy



N	Ref.	Description	Français	Qty/ Bike	MODEL
1	YC110-0901-01	Foot pegs bar START GREY	barre repose pied START GRISE 2013	1	F12513-16/F125s13-16/F125se1516/SM125s13-16

2	YC110-0902-01	Right foot peg Steel START / PILOT 2013 GREY	Repose pied Acier droit START / PILOT 2013 GRIS	1	F88s13-16/F88se1516/F12513-16/F125s13-16/F125se1516/P88s13-15/P12513-16/P15013-16/SM13-16
3	YC110-0903-01	Left foot peg Steel START / PILOT 2013 GREY	Repose pied Acier gauche START / PILOT 2013 GRIS	1	F88s13-16/F88se1516/F12513-16/F125s13-16/F125se1516/P88s13-15/P12513-116/P15013-16/SM13-16
4	YC110-196	Kick stand 280mm	bequille 280mm	1	F12513-16/F125s13-16/F125se1516/P88s13-15/P12513-16/P15013-16/SM13-16
5	YC110-201-02	YCF Engine skid plate Steel START125se MATTE BLACK	Sabot moteur Acier YCF START125se NOIR MAT	1	F125se1516
6	YC110-09-01	Spring for right steel foot peg $\Phi 1.5 \times \Phi 16.5 \times 10 \text{mm}$	ressort repose pied droit acier $\Phi 1.5 \times \Phi 16.5 \times 10 \text{mm}$	1	ALL BIKES2013-2016(BUTSP1/SP2/SP3)
7	YC110-09-02	Spring for left steel foot peg $\Phi 1.5 \times \Phi 16.5 \times 10 \text{mm}$	ressort repose pied gauche acier $\Phi 1.5 \times \Phi 16.5 \times 10 \text{mm}$	1	ALL BIKES2013-2016(BUTSP1/SP2/SP3)
8	YC110-19-01	spring for kick stand $\Phi 2.5 \times \Phi 15 \times 105$	ressort bequille $\Phi 2.5 \times \Phi 15 \times 105$	1	ALL BIKES2014-16(BUTSP1/SP2/SP3)
9	119.1-085043	shaft pin for steel footpegs $\varphi 8 \times 43$	axe repose pied acier $\varphi 8 \times 43$	2	ALL BIKES2014-16(BUTSP1/SP2/SP3)
10	GB97- $\Phi 8$ -W	flat washer $\varphi 8 \times 16 \times 1$	rondelle $\varphi 8 \times 16 \times 1$	2	ALL BIKES2011-16
11	GB91- $\Phi 2 \times 25$ -W	Cotter pin 2.0x25	goupille 2.0x25	2	ALL BIKES2013-16
12	GB5787-M8x25-W	screw M8X25	vis M8x25	4	F88s13-16/F88se1516/F12513-16/F125s13-16/F125se1516/SM125s13-16
14	GB93- $\Phi 8$ -W	Foot pegs bar washer $\varphi 8$	rondelle $\varphi 8$	4	F88s13-16/F88se1516/F12513-16/F125s13-16/F125se1516/SM125s13-16
15	GB97- $\Phi 8$ -W	flat washer $\varphi 8 \times 16 \times 1$	rondelle $\varphi 8 \times 16 \times 1$	4	F88s13-16/F88se1516/F12513-16/F125s13-16/F125se1516/SM125s13-16
16	GB5787-M6x16-W	screw M6X16 for skid plate	vis sabot M6X16	2	ALL BIKES2012-16(BUT50A)
17	FB2-M10x35x1.5-G	Stepped screw M10X35 for kick stand	vis bequille M10X35	1	ALL BIKES2014-16(BUTSP1/SP2/SP3)
18	GB6170-M10-G	Hex. Nut M10	ecrou bequille M10	1	ALL BIKES2014-16(BUTSP1/SP2/SP3)
19	YC110-0902/10	Steel foot pegs set START / PILOT 2013 GREY	Jeu repose pied Acier START / PILOT 2013 GRIS	1	F88s13-16/F88se1516/F12513-16/F125s13-16/F125se1516/P88s13-15/P12513-16/P15013-16/SM13-16
24	GB93- $\Phi 10$ -W	Standard spring washer $\varphi 10$	rondelle $\varphi 10$	1	ALL BIKES2014-16(BUTSP1/SP2/SP3)

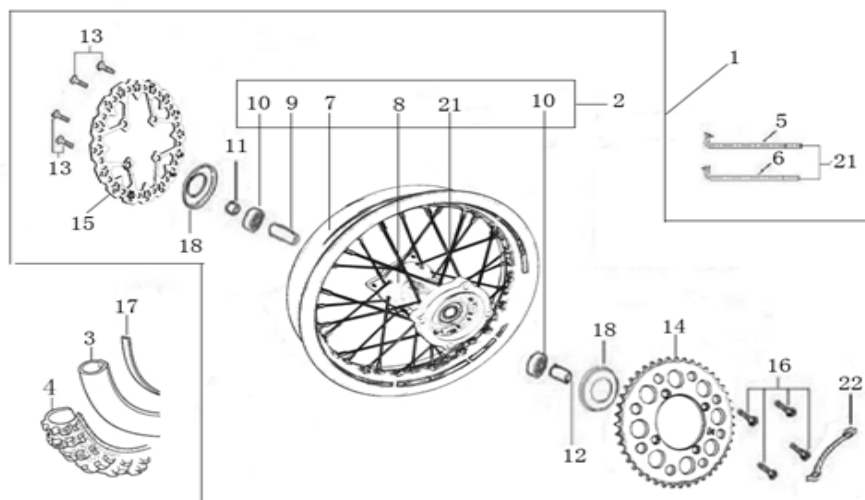
Swing Arm assy



N	Ref.	Description	Français	Qty/ Bike	MODEL
1	YC110-10014	swing arm mono Steel 390mm 2014	bras oscillant acier mono Acier 390mm 2014	1	F88s1415/F88se15/F12514-16/F125s14-16/F125se1516/P88s1415/P12514/P15014/SM125s1416/SM15014
2	YC110-10-014-BK	Rear brake clip for BLACK	attache durite frein arriere NOIR	1	ALL BIKES2012-15(BUTSP1/SP2/SP3)/ALL BIKES2016 (BUTSP2/SP3)
5	YC110-10-023	YCF Chain slider for Steel swing arm 390mm	patin chaine court YCF pour bras Acier 390mm	1	F88s12-16/F88se1516/F12512-16/F125s12-16/F125se1516/P88s12-15/P1251314/P1501314/SM125s13-16/SM1501314
6	6200/28-12	Swing arm bearing $\phi 28 \times \phi 12 \times 8 \text{mm}$	roulement bras oscillant $\phi 28 \times \phi 12 \times 8 \text{mm}$	2	ALL BIKES2009-16
7	YC110-1001-013	Spacer for swing arm $\Phi 12 \times \Phi 20 \times 11.5$	entretoise $\Phi 12 \times \Phi 20 \times 11.5$	2	F88s12-16/F88se1516/F12512-16/F125s12-16/F125se1516/P88s12-15/P12513-16/P15013-16/SM12-16/SP116
9	YC110-10-034	Swing arm shaft with self lock nut M12 L=192mm	axe bras oscillant $\phi 10$ avec ecrou M12 L=192mm	1	F88s13-16/F88se1516/F12513-16/F125s13-16/F125se1516/SM125s13-16
10	GB6187-M12-W	Self locking nut M12	ecrou bras oscillant M12	1	ALL BIKES2012-2016(BUT50A)
11	YC110-11-074	Rear wheel axle L=215mm with Self locking nut M14	axe roue arriere avec ecrou L=215mm avec ecrou M14	1	F88s13-16/F88se1516/F12513-16/F125s13-16/F125se1516/P88s13-15/P12513-16/P15013-16/SP116
12	GB6187-M14-W	Self locking nut M14	ecrou axe roue arriere M14	1	ALL BIKES2012-16(BUT50A)
13	GB5783-M8x40-W	Exterior hex. Bolt M8X40	vis tendeur chaine M8x40	2	ALL BIKES2012-16 (BUT50A)
14	FB6170-M8-W	Hex. Nut M8	ecrou tendeur chaine M8	2	ALL BIKES2012-16(BUT50A)

15	GB70.2-M8×16-Cr	Screw M8X16	vis M8X16	2	F12512-16/F125s12-16/F125se1516/P88s12-15/P1251314/P1501314/S M125s12-16/SM1501314
16	YC110-11-08	Block axle SILVER	Tendeur chaine SILVER	2	F88s12-16/P88se1516/F12512-16/F125s12-16/F125se1516/P88s13-15/P12513-16/P15013-16/SM12-16/SP116
17	GB819-M6×16-W	Plus screw M6X16	vis m6x16	5	ALL BIKES2015-16(BUTSP2/SP3)
	GB6100-M6-CW	nut M6×25mm	Vis M6×25mm	5	ALL BIKES2015-16(BUTSP2/SP3)
18	YC110-1005	YCF chain guide assy for R-START range BLACK	guide chaine YCF pour gamme R-START NOIR	1	F12512-16/F125s12-16/F125se1516/P88s12-15/P1251314/P1501314/S M125s12-16/SM1501314
19	GB818-M6×12-W	Plus screw M6x12	vis M6x12	3	ALL BIKES2012-16(BUT50A)
20	GB97-Φ6	Flat washer φ6	rondelle φ6	3	ALL BIKES2012-16
26	420H-104T	Chain 420H-104T, normal	chaîne 420 104 maillons standart	1	F12512-16/F125s12-16/F125se1516/P1251314 /P1501314/SM125s12-16/SM15012-14
27	AR-420	Chain link	Attache rapide chaine	1	All BIKES
28	YC110-0600-01	Chain box protection	Protection chaine plastique	1	ALL BIKES2012-2015(BUT50A)/ ALL BIKES2016(BUT50A) /F88s/F88se
29	YC110-0600-02	Chain box protection support	Support Protection chaine plastique	1	ALL BIKES2012-2016(BUT50A)
29	YC110-0600-021	Chain box protection support	Support Protection chaine plastique	1	ALL BIKES2012-2016(BUT50A)

Rear Wheel Assy

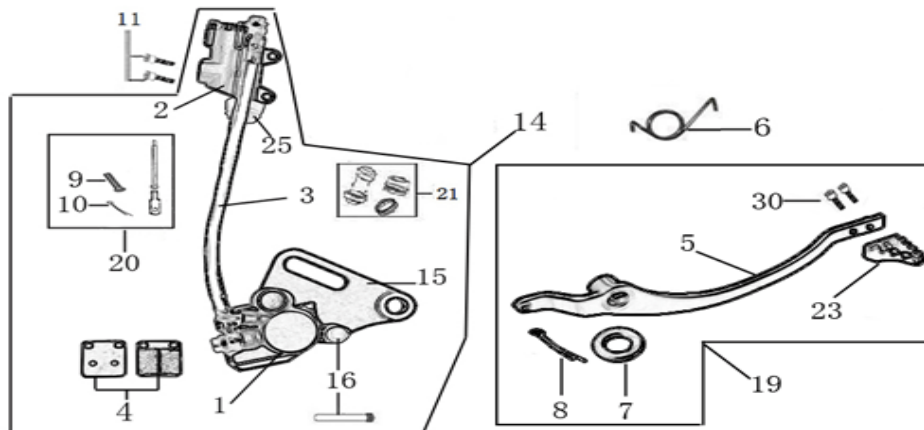


N	Ref.	Description	Français	Qty/ Bike	MODEL
---	------	-------------	----------	--------------	-------

1	YC110-1101-2F	Complete STEEL Rear wheel 1.85x12' with disk 2016. Casting hub	Roue arriere complete ACIER 1.85x12' moyeux injecte avec disque	1	F12516/F125s16/F125se16/P12516/P15016
2	YC110-1102-21	Complete STEEL Rear wheel 1.85x12' without disk. Casting hub	roue arriere complete ACIER 1.85x12' moyeux injecte sans disque	1	F12512-16/F125s12-16/F125se1516/P12513-16/P15013-16
3	CHAMBRE12	Tube for Rear tire 3.00-12' GL	chambre air 12' standard GL	1	ALL BIKES2012-2016(BUT50A/F88s/F88se/P88s)
	FB6170-M8-Cr	Tire valve nut M8	Ecrou M8 pour Chambre a air	1	ALL BIKES
4	300/12	Rear tyre 80/100-12' GUANGLI	pneu arriere 80/100/12 GUANGLI	1	F12512-16/F125s12-16/F125se1516/P12513-16/P15013-16/SP112-16
7	YC110-1101-012	STEEL Rim 1.85x12'	cerceau roue 1,85x12' ACIER	1	F12512-16/F125s12-16/F125se1516/P12513-16/P15013-16/SP112-16
8	YC110-1122-02	Rear wheel hub Casting with oil seal	moyeux arriere injectee avec joint spy	1	ALL BIKES2012-16 (BUT50A/SP)
10	96140-6202-2Z	Ball bearing 6202-2Z $\Phi 35 \times \Phi 15 \times 11$	roulement roue 6202-2Z $\Phi 35 \times \Phi 15 \times 11$	2	ALL BIKES2012-2015 (BUT50A) /ALL BIKES2016 (BUT50A/SP2/SP3)
11	YC110-11-041	Rear wheel spacer right $\Phi 15 \times \Phi 22 \times 29$ mm	entretoise roue arriere droite $\Phi 15 \times \Phi 22 \times 29$ mm	1	F88s12-16/F88se1516/F12512-16/F125s12-16/F125se1516/P88s12-15/P12513-16/P15013-16/SM12-16/SP116
12	YC110-11-052	Rear wheel spacer left $\Phi 15 \times \Phi 22 \times 38$ mm	entretoise roue arriere gauche $\Phi 15 \times \Phi 22 \times 38$ mm	1	F88s12-16/F88se1516/F12512-16/F125s12-16/F125se1516/P88s12-15/P12513-16/P15013-16/SM12-16/SP116
13	GB70.2-M8x16	Screw for disk M8X16	vis disque frein M8X16	4	ALL BIKES2016 (BUT50A)
14	YC110-11-06/45	YCF Driven sprocket 420-45T	couronne acier 45T YCF	1	50A16/F12512-16/F125s12-16/F125se1516/P12513-16/P15013-16/SM12-16
15	YC110-1115-01	Rear Brake disc $\phi 200$ mm 2016	Disque frein arriere $\phi 200$ mm 2016	1	ALL BIKES 2016(BUT50A)
16	GB5783-M8x25-W	Exterior Hex.Bolt M8X25	vis M8x25	4	F88s13-16/F88se1516/F12513-16/F125s13-16/F125se1516/P88s13-15/P12513-16/P15013-16/SM13-16
17	YC110-11-01	tire lining 12"	fond jante 12'	1	ALL BIKES2012-2015(BUT50A/F88s/F88se/P88s)/ALL BIKES2016(BUT50A/F88s/F88se)
18	YC110-0611	oil seal $\Phi 22 \times \Phi 35 \times 5$	joint spy roue $\Phi 22 \times \Phi 35 \times 5$	2	ALL BIKES2013-16(BUT50A)

21	JR12-12.7	set of spoke 12' (125mm×16+128mm×16)	jeu rayon arrière 12' (125mm×16+128mm×16)	1	F12513-16/F125s13-16/F125se1516/P12513-16/P15013-16/SP113-16
22	YC110-11-03	Sprocket Locking piece	block couronne	2	ALL BIKES2013-16 (BUTSP1/SP2/SP3)

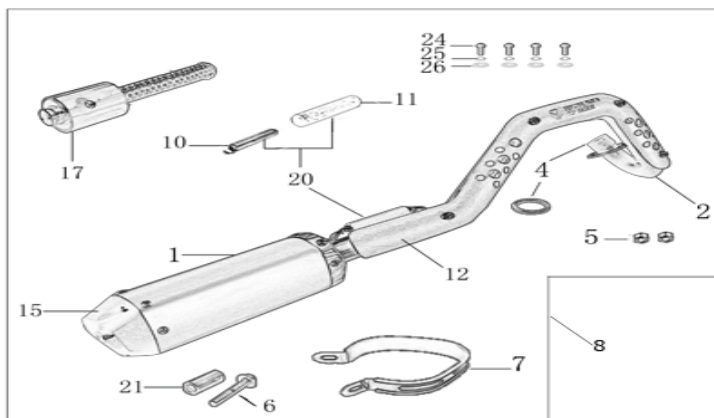
REAR BRAKE



N	Ref.	Description	Français	Qty/ Bike	MODEL
1	YC110-1201-04	Rear Caliper 1 pistons w/t abestos	étrier frein arrière 1 piston sans amiante	1	ALL BIKES2012-2015(BUT50A) / ALL BIKES2016(BUT50A/SP2/SP3)
2	YC110-1201021	Rear reservoir ϕ 8mm (with stick L=115mm)	maitre cylindre frein arrière avec embout durite ϕ 8mm	1	ALL BIKES2012-14(BUT50A)/F88s1516/F88se1516/F1251516/F125se1516/F125s1516/SM125s1516
3	YC110-1201045	Oil steel tube L=370mm ϕ 8/ ϕ 10 BLACK	durite frein arrière L=370mm ϕ 8/ ϕ 10 NOIR	1	F12516/F125s16/F125se16/SM125s16
4	YC110-1204	Friction pad for 1 piston brake w/t abestos with copper substrate	plaquette frein arrière 1 piston SANS AMIANTE	2	ALL BIKES2012-2015 (BUT50A/F88s/F88se) / ALL BIKES2016 (BUT50A/F88s/F88se/SP2/SP3)
5	YC110-1205-04	Steel brake pedal START	Pédale de frein START	1	88P12/F12512-16/F125s1216/F125se1516/SM125s1216
6	YC110-21-01	Spring for Steel brake pedal' Φ 3× Φ 32×7mm	ressort pour pédale de frein Acier Φ 3× Φ 32×7mm	1	ALL BIKES2013-14(BUT50A)/ ALL BIKES2015-2016(BUT50A/SP1/SP2/SP3)
7	FB20-15×25×2-W	Flat washer Φ 14.5× Φ 25×2	rondelle Φ 14.5× Φ 25×2	1	F88s13-16/F88se1516/F12513-16/F125s13-16/F125se1516/SM125s13-16
8	GB91- Φ 2.5×30-W	Slip Pin Φ 2.5×30mm	goupille Φ 2.5×30mm	1	F88s13-16/F88se1516/F12513-16/F125s13-16/F125se1516/SM125s13-16
9	119.1-07016	Pin shaft 7×16mm	axe 7×16mm	1	ALL BIKES2012-16 (BUT50A)
10	GB91- Φ 1.6×16-W	Split pin 1.6×16mm	goupille 1.6×16mm	1	ALL BIKES2012-16 (BUT50A)
11	GB70-M6×20	Hex. Bolt M6×20	vis M6×20	2	ALL BIKES2013-16(BUT50A)

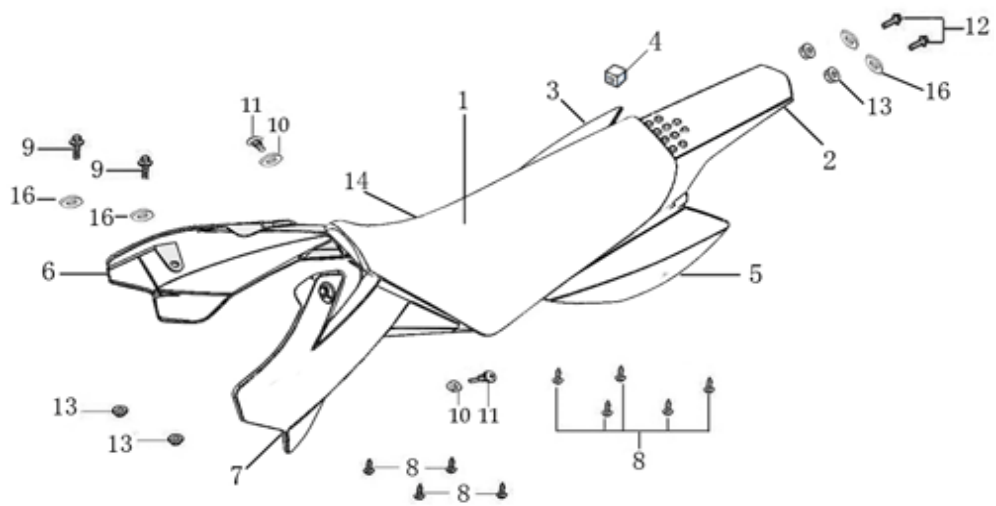
14	YC110-12012-06	Rear brake aasy 1 piston W/T ABESTOS L=370mm 2016	Kit frein arriere 1 piston avec gaine plastic SANS AMIANTE L=370mm 2016	1	F12516/F125s16/F125se16/SM125s16
15	YC110-1201-01	Rear brake bracket T=5MM	patte fixation étrier frein arriere T=5MM	1	ALL BIKES2012-15(BUT50A)/ ALL BIKES2016(BUT50A/ SP2/SP3)
16	YC110-1255	Rear Brake pads Screw L=38mm	Vis plaquette AR L=38mm	2	ALL BIKES2012-15(BUT50A)/ ALL BIKES2016(BUT50A/SP2/ SP3)
19	YC110-21	Steel Brake pedal	pédale de frein Acier	1	88P12/F12512-16/F125s12-16/F125se1516/SM125s12-16
20	YC110-12021	Rear reservoir puch stick L=115mm	Tige poussoir maitre cylindre L=115mm	1	F88s13-16/F88se1516/F12513-16/F125s13-16/F125se1516/SM125s13-16
21	YC110-120110	rubber for rear caliper	jeu de caoutgouc d'etrier frein arriere	1	ALL BIKES2012-2015 (BUT50A) /F88s16 /F88se16/F12516/F125s16 /F125se16/SM125s16
23	YC110-21-10	Steel brake pedal end cap	embout pédale de frein Acier	1	F88s12-16/F88se1516/F12512-16/F125s12-16/F125se1516/F88s12-15/P12513-16/P15013-16/SM12-16
25	YC110-12025	Rubber for REAR RESERVOIR PUSH STICK	Caoutchouc tige maitre cylindre frein arrier	1	ALL BIKES2012-2015 (BUT50A) /F88s16 /F88se16/F12516/F125s16 /F125se16/SM125s16
30	GB70-M6×16-Cr	Hex. Bolt M6x16	vis M6x16	2	F88s13-16/F88se1516/F12513-16/F125s13-16/F125se1516/P88s13-15/P12513-16/P15013-16/SM13-16

Exhaust system



N	Ref.	Description	Français	Qty/ Bike	MODEL
1	YC110-13016-GY	YCF Muffler 94db START L=295mm (1 springs) 2015 GREY	silencieux YCF 94db 2015 GRISE	1	F88s1516/F88se1516/F1251516/F125s1516/F125se1516/P88s15/P1251516/P1501516/S M1516
2	YC110-13022-02	Exhaust pipe with protection plate Φ28 mm START 2013	collecteur avec plaque Φ28 mm START 2013	1	F88s13-16/F88se1516/F12513-16/F125s13-16/F125se1516/SM125s13-16

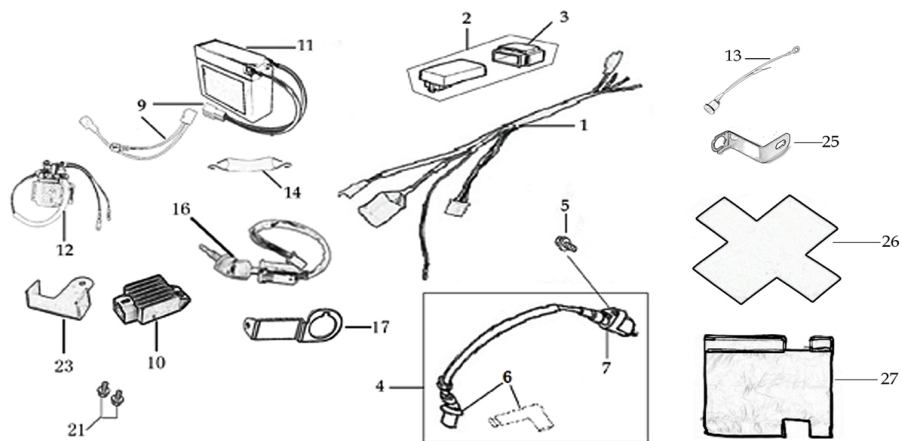
4	18291/152FMH	Exhaust pipe washer φ32×φ25.5×4	joint pot φ32×φ25.5×4	1	ALL BIKES2012-2016 (BUT50A)
5	GB6170-M6-W	Hex flanged self locking nut M6	écrou M6	2	ALL BIKES
6	GB5787-M8×40-W	Hex. Bolt with flanged M8x40	vis M8x40	1	F88s13-16/F88se1516/F12513-16/F125s13-16/F125se1516/SM125s13-16/SP113-16/SP213-16/SP313-16
7	YC110-13-04	Hoop for muffler YCF START 2011(with FB13-φ10×φ14×23-W 1EA+GB5787-M8×40-W 1EA)	Attache silencieux YCF START 2011	1	5011/F88s12-16/F88se1516/F12512-16/F125s12-16/F125se1516/F88s12-15/P12513-16/P15012-16/SP112-16/SM12-16
8	YC110-136-GY	START Muffler& Exhaust pipe assy YCF 94db (1 spring)	Echappement complet YCF 94db START (1 ressort)	1	F88s1516/F88se1516/F1251516/F125s1516/F125se1516/SM125s1516
10	YC110-13-201	muffler spring Φ6.5×Φ9×50mm	ressort pot Φ6.5×Φ9×50mm	1	ALL BIKES2012-14(BUT50A)/ALL BIKES2015-16 (BUT50A/SP)
11	YC110-138	rubber for muffler spring	caoutchouc ressort pot	1	ALL BIKES2012-16(BUT50A)
12	YC110-1312	Protection for exaust pipe START SM125s 2013	Grille pot START SM125s	1	F88s13-16/F88se1516/F12513-16/F125s13-16/F125se1516/SM125s13-16
15	YC110-13-32	Muffler end cap YCF	Emout silencieux YCF	1	5011/F88s12-16/F88se1516/F12512-16/F125s12-16/F125se1516/F88s12-15/P12513-16/P15013-16/SM12-16/SP113-16
17	YC110-13-301	Noise reducer (spark arrestor) YCF START	Bride de pot YCF START	1	F88s12-16/F88se1516/F12512-16/F125s12-16/F125se1516/F88s12-15/P12513-16/P15013-16/SM12-16/SP112-16
20	YC110-13-21	muffler spring with rubber	ressort pot avec le caoutchouc	1	ALL BIKES2012-14(BUT50A)/ALL BIKES2015-16 (BUT50A/SP)
21	FB13-10×14×23-W	Muffler Hoop spacer φ10×φ14×23mm	Entretoise attache silencieux φ10×φ14×23mm	1	F88s13-16/F88se16/F12513-16/F125s13-16/F125se1516/SM125s13-16
24	GB70.2-M6×10-Cr	Plus screw M6×10	vis M6×10	4	ALL BIKES2013-16
25	GB93-Φ6-W	Standard spring washer φ6	rondelle φ6	4	ALL BIKES2013-16
26	GB97-Φ6-W	flat washer φ6	rondelle φ6	4	ALL BIKES2012-16
Seat & Plastic kit					



N	Ref.	Description	Français	Qty/ Bike	MODEL
1	YC110-1401-10	YCF Seat assy L=480mm 2016	selle CRF 50	1	F88s16/F88se16/F12516/ F125s16/F125se16/SM125s16
2	YC110-14-012WH	YCF Rear fender 2013 WHITE	Garde boue arrière YCF 2013 avec Picots BLANC	1	ALL BIKES2015(BUT50A)/F88 s16/F88se16/F12516/F125 s16/F125se16/SM125s16
3	YC110-14-022WH	YCF right side plastic WHITE	Plaque latérale droite YCF BLANC	1	F88s12- 16/F88se1516/F12512- 16/F125s12- 16/F125se1516/P88s15/P 1251516/P1501516/SP112- 16/SP212-16/SP312- 16/SM125s1516
4	YC110-14-03	Cushion for right side plastic	caoutchouc plaque laterale droite	1	ALL BIKES
5	YC110-14-042WH	YCF left side plastic WHITE	Plaque laterale gauche YCF BLANC	1	F88s12- 16/F88se1516/F12512- 16/F125s12- 16/F125se1516/P88s15/P 1251516/P1501516/SP112- 16/SP212-16/SP312- 16/SM125s1516
6	YC110-14-052BK	YCF Right shroud BLACK	Ouie radiateur droite YCF NOIRE	1	ALL BIKES2015- 16(BUT50A/50E)
7	YC110-14-062BK	YCF Left side shroud BLACK	Ouie radiateur gauche YCF NOIRE	1	ALL BIKES2015- 16(BUT50A/50E)
8	GB845-ST4.8x16-G	Screw for plastic kit ST4.8x16	vis plastique ST4.8x16	9	ALL BIKES2012-16
9	GB5787-M6x20-W	hex. Bolt with flanged M6x20	vis M6x20	2	ALL BIKES
10	YC110-02-13	Rubber washer $\Phi 6 \times \Phi 14 \times 3$ mm	joint caoutchouc $\Phi 6 \times \Phi 14 \times 3$ mm	2	ALL BIKES2012-16
11	FB5787-M5x12-W	hex. Bolt with flanged M5x12	vis M5x12	2	ALL BIKES2012-16
11	GB96- $\Phi 5$ -W	flat washer $\Phi 5 \times \Phi 15$	rondelle $\Phi 5 \times \Phi 15$	2	ALL BIKES2015-16
12	GB5787-M6x20-B	hex. Bolt with flanged M6x20 BLACK	vis M6x20 NOIR	2	ALL BIKES2012-16

13	GB6177-M6-W	Hex. Flanged nut M6	écrou M6	2	ALL BIKES2012-16
14	YC110-14024	START seat cover 2016	Housse selle START 2016	1	F88s16/F88se16/F12516/F125s16/F125se16/SM125s16
16	YC110-03-01	Rubber washer $\Phi 6 \times \Phi 18 \times 4 \text{mm}$	joint caoutchouc $\Phi 6 \times \Phi 18 \times 4 \text{mm}$	4	ALL BIKES
16	GB96- $\Phi 6$	flat washer $\phi 6$	rondelle $\phi 6$	4	ALL BIKES2012-16

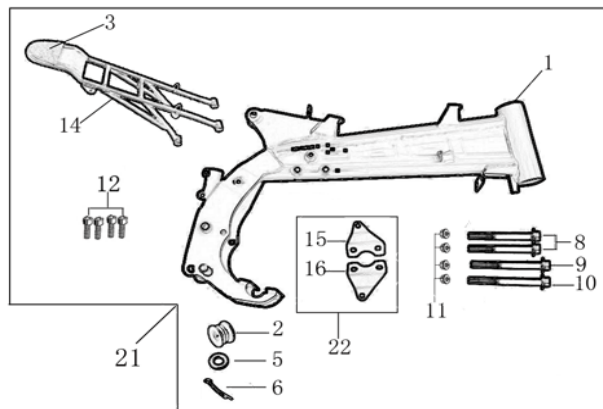
ELECTRIC



N	Ref.	Description	Français	Qty/ Bike	MODEL
1	YC110-1501-06	Wire harness F88se/F125se Electric start engine	FAISCEAUX ELECTRIQUE F88se/F125se	1	F88se1516/F215se1516
2	YC110-1503	CDI Ignitor assy.125cc	CDI 125cc	1	FP1112/F12512-16/F125s12-16/F125se1516/P12513-15/P15013-16/SM12-16/SP112-16/SP212-16
3	YC110-1501-03	Ignitor rubber	caoutchouc cdi	1	ALL BIKES2012-16 (BUT50A/SP3)
4	YC110-1504-02	Ignitor coil L=240mm	bobine haute tension L=240mm	1	F12512-16/F125s12-16/F125se1516/P88s12-15/P12513-16/P15013-16/SM12-16/SP114-16/SP214-16
5	GB5787-M6x20	Hex. Bolt with flanged M6x20	vis M6x20	1	ALL BIKES2013-16(BUT50A/SP3)
6	YC110-1505	anti interference red	anti parasite rouge	1	ALL BIKES2012-2016 (BUT50A/SP3)
7	YC110-1504	Ignitor coil	bobine haute tension	1	ALL BIKES2012-2016 (BUT50A/SP3)
9	YC110-1517-01	Battery cable F88se/F125se Anode+Cathode	Cable pour Chargeur Batterie F88se/F125se	1	F88se1516/F125se1516
10	YC110-1502-01	rectifier for ENGINE 150-2	Rectificateur 150-2	1	F88se1516/F125se1516
11	YC110-1507-02	Battery 12V/3A 125CC 2015	Batterie 12V/3A 125CC 2015	1	F88se1516/F125se1516

12	YC50-1510	relay 50CC	Relais démarreur 50CC	1	50A12-16/F88se1516/F125se1516
13	YC110-1513-01	Charger connexion F88se/F125se	Connection chargeur F88se/F125se	1	F88se16/F125se16
14	YC110-1508-01	Hustle rubber F88se/F125se 2016	Maintien complet Batterie F88se/F125se 2016	1	F88se16/F125se16
16	YC50-0021	Key contactor	Contacteur a cle	1	50A12-16/F88se1516/F125se1516
17	YC110-1531-01	Key contactor bracket	Support Contacteur Cle	1	F125se1516
21	GB5787-M6×10-W	Hex. Bolt M6x10	vis M6x10	2	50A12-16/F88se1516/F125se1516
23	YC110-1539	Bracket for relay	Support Relay	1	F88se1516/F125se1516
25	YC110-1545-01	STEEL SUPPORT Charger connexion 88SE	Support prise chargeur 125CC	1	F88se16/F125se16
26	YC110-1523-01	Battery protection F88se/F125se 117×75×87mm	Protection Batterie F88se/F125se 117×75×87mm	1	F88se1516/F125se1516
27	YC110-1543-01	Protection Electric Cable Nylon	Protection des câbles électriques	1	F88se1516/F125se1516

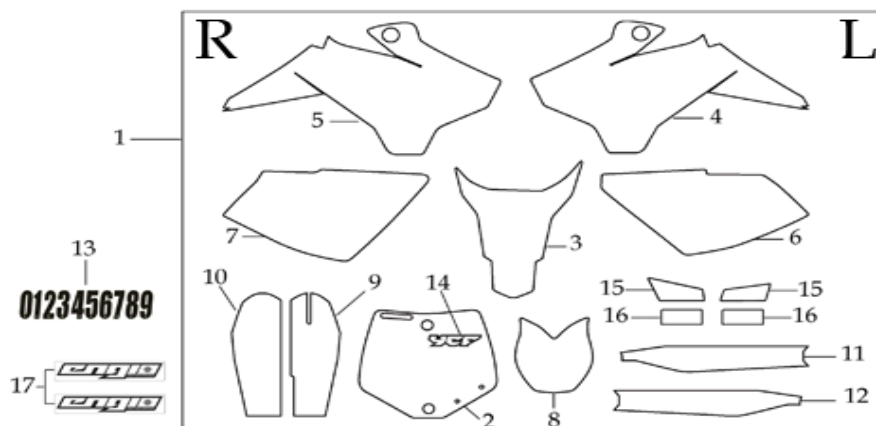
Frame



N	Ref.	Description	Français	Qty/ Bike	MODEL
1	YC110-175-04-WH	START F125se Frame Chromolly 2015 WHITE	Cadre Chromolly START F125se bras mono 2015 BLANC	1	F125se1516
2	YC110-2201	YCF Chain tensioner component	roulette chaine YCF	1	ALL BIKES2011-2016 (BUT50A)
3	YC110-0700-11	Tail cover sponge	Mousse Boucle arriere	1	ALL BIKES2014-16(BUT50A/SP3)

5	GB97-Φ10-W	Flat washer φ10x17x2	rondelle φ10x17x2	1	ALL BIKES2014-16 (BUT50A)
6	GB91-Φ2×25-W	cotter pin φ2.0×25	goupille φ2.0×25	1	ALL BIKES2013-16
8	GB5787-M8×70-W	Hex. Bolt with flanger M8x70	vis M8x70	2	F12513-16/F125s13-16/F125se1516/SM125s13-16
9	GB5787-M8×110-W	Hex. Bolt with flanger face M8X110	vis m8x110	1	F88s13-16/F88se1516/F12513-16/F125s13-16/F125se1516/F88s13-15/P12513-16/P1513-16/P15013-16/SM13-16
9	GB5787-M8×105-W	Hex. Bolt with flanger M8x105	vis M8x105	1	F12513-16/F125s13-16/F125se1516/SM125s13-16/SP113-16/SP213-16/SP313-16
10	GB6187-M8-W	Self locking nut M8	ecrou M8	2	ALL BIKES
12	GB70-M8×20	Hex. Bolt M8X20	vis M8x20	2	F88s13-16/F88se1516/F12513-16/F125s13-16/F125se1516/SP113-16/SP213-16/SP313-16/SM125s13-16
12	GB70-M8×25	Hex. Bolt with flanger M8x25	vis boucle arriere M8x25	2	ALL BIKES2012-16 (BUT50A)
14	YC110-1614-03-BK	rear frame part Black	boucle arrière Noir	1	F125se1516
15	YC110-16-031-BK	frame engine pads left START BLACK	patte de cadre gauche START NOIRE	1	88P12/F12513-16/F125s13-16/F125se1516/SM125s13-16
16	YC110-16-041-BK	frame engine pads right START BLACK	patte de cadre droite START NOIRE	1	88P12/F12513-16/F125s13-16/F125se1516/SM125s13-16
22	YC110-16-061-BK	set of engine pads START BLACK	jeu de patte de cadre START NOIRE	1	88P12/F12513-16/F125s13-16/F125se1516/SM125s13-16

GRAPHICS



N	Ref.	Description	Français	Qty/ Bike	MODEL
---	------	-------------	----------	--------------	-------

1	KD125SE2016	Complete graphic kit START F125se 2016	Kit deco complet START F125se 2016	1	F125se16
2	YC110-33-013	START F125 Front plate graphic 2016	Sticker Plaque avant START F125 2016	1	F12516/F125s16/F125se16
3	YC110-33-020	START Rear mudguard graphic 2016	Sticker GB Arriere START 2016	1	F88s16/F88se16/F12516/F125s16/F125se16
4	YC110-33-035	Left shrouder graphic F125se 2016	Sticker Ouie gauche radiateur F125se 2016	1	F125se16
5	YC110-33-045	Right shrouder graphic F125se 2016	Sticker Ouie droite radiateur F125se 2016	1	F125se16
6	YC110-33-055	Left side plate graphic F125se 2016	Sticker Plaque laterales gauche F125se 2016	1	F125se16
7	YC110-33-065	Right side plate graphic F125se 2016	Sticker Plaque laterales droite F125se 2016	1	F125se16
8	YC110-33-073	START F125 front fender Front fender graphic 2016	Sticker GB Avant START F125 2016	1	F12516/F125s16/F125se16
9	YC110-33-085	Front left shock protection graphic F125se 2016	Sticker Protection gauche fourche F125se 2016	1	F125se16
10	YC110-33-095	Front right shock protection graphic F125se 2016	Sticker Protection droit fourche F125se 2016	1	F125se16
	YC110-1909	Sticker FACTORY Shock Absorber	Autocollant FACTORY Amortisseur	1	ALL BIKES2013-16 (BUT50A/SP3)
	YC110-1910	GAS TANK STICKER	STICKER RESERVOIR	1	ALL BIKES2013-16(BUT50A)
	YC110-1901	Sticker Chain	Autocollant Chaine	1	ALL BIKES2013-16
	YC110-1902	Sticker Tire	Autocollant Pression Pneu	1	ALL BIKES2013-16
	YC110-1903	Sticker Warning OIL Level	Autocollant Attention Niveau Huile	1	ALL BIKES2013-16
	YC110-1904	Sticker Rear Mudguard 70×57mm	Autocollant garde boue arriere 70×57mm	1	ALL BIKES2013-16
	YC110-1905	Sticker CE	Autocollant CE	1	ALL BIKES2013-16

	YC110-1906	Warning sticker	Sticker Attention	1	ALL BIKES2013-16
	YC110-1907	Warning Sticker Transport	Sticker Caisse Avertissement Transport	1	ALL BIKES2013-16
	YC110-1908	Warning Sticker Shok Absorber	Sticker Avertissement Amortisseur	1	ALL BIKES2013-16

ENGINES

	MOTEUR125SELE-01	ENGINE 125 SEMI AUTOMATIC electric starter Bottom (with RCSC-BK 1EA)	moteur complet 125 Semi-Auto Demareur Electrique	1	F125se1516/
	17311/152FMIFA56-2	Inlet Pipe,Pro R-START 125	PIPE ADMISSION R-START 125	1	F12513-16/F125s13-16/F125se1516/P12513-16/P15013-16/SM13-16
	17322/152FMH	carburettor paper gasket Φ28	joint papier carburateur Φ28	1	ALL BIKES2015-16 (BUT50A/SP3190)
	17332/152FMH01	Intake Gasket	JT PAPIER PIPE ADMISSION	1	ALL BIKES2015-16 (BUT50A/SP3190)
	F00C039	carburettor isolating gasket Φ27.5	joint plastique carburateur Φ27.5	1	ALL BIKES2015-16 (BUT50A/SP3190)
	RCSC-BK	Right crankcase small Cover 88/125 BLACK	DEMI CARTER EMBRAYAGE NOIR 88/125	1	F88s14-16/F88se1516/F12514-16/F125s14-16/F125se1516/P88s1415/P12514-16/SM125s14-16
	43451/152FMH	STARTER KICK SMALL HOLE	KICK PETIT DIAMETRE	1	F88s13-16/F88se1516/F12513-16/F125s13-16/F125se1516/SM125s13-16
	24700/152FMH	Gearshift Pedal	SELECTEUR	1	F88se1516/F12513-16/F125se1516/P12513-16/P15013-16/SM15013-16/SP113-16/SP213-16/SP313-16

CARBU

	YC110-3847	MIKUNI Carburetor 26 RS/RSSA/SM125 with main jet 95 and slow jet 15	Carburateur26 MIKUNI RS/RSSA/SM125 GICLEUR 95 GICLEUR 15	1	F12513-16/F125s13-16/F125se1516/P12513-16/SM125s13-16
	GICLEUR95	main jet 95	GICLEUR 95	1	F12513-16/F125s13-16/F125se1516/P12513-16/SM125s13-16
	GICLEUR15	slow jet 15	GICLEUR 15	1	F12513-16/F125s13-16/F125se1516/P12513-16/SM125s13-16
	YC110-3847-01	Carburetor spring Φ17×70mm	Ressort Carbu	1	F12513-16/F125s13-16/F125se1516/P12513-16/P15013-16/SP113-16/SP213-16/SP315013-15/SM13-16

CARTONS - CAISSES MOTOS

YC110-CARTON-03	BIKE BOX F125se	CARTON EMBALLAGE MOTO F125se	1	F125se1516/
YC110-FOAMBOX	Foam box 2015 420×340×160mm	Cale PS	1	ALL BKIES2014-16
YC110-FILM	Protective film for seat 600×600×0.02mm	Protection Plastique Selle	1	ALL BKIES2014-16

CATALOGUES - FICHES MOTOS - FICHES STICKER

YC110-0700-01	Accessory tools	Trousse a outils	1	ALL BIKES
YC110-0700-0201	Owner manual 2015	Manuel Utilisation 2015	1	ALL BIKES2013-16
YC110-0700-0401	Vin Plate 2015	Plaque Vin 2015	1	ALL BIKES2013-16
YC110-0700-03	A4 sheet assy	Fiche A4	1	ALL BIKES

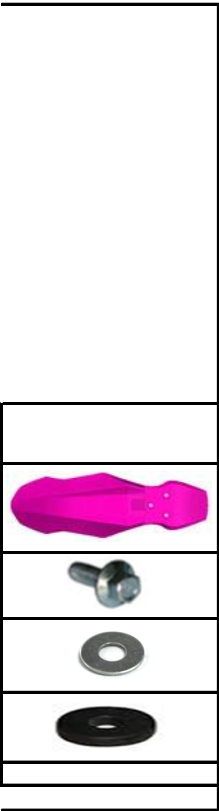
2016

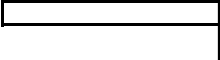
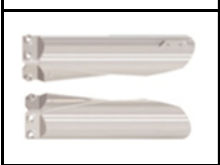
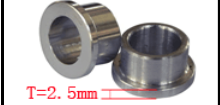


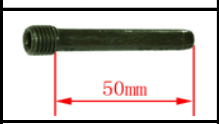
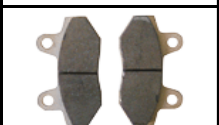


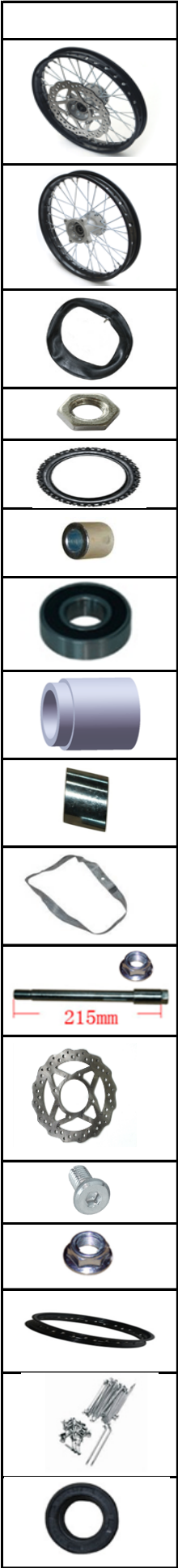


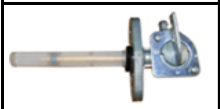
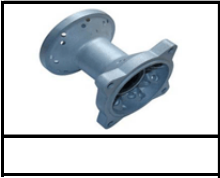


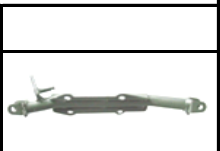
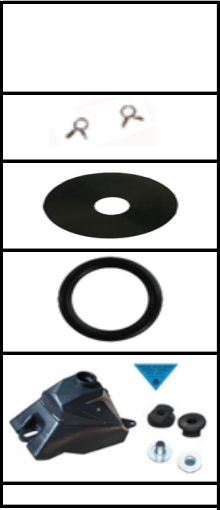




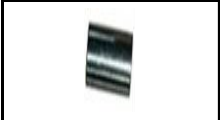








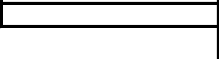
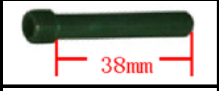
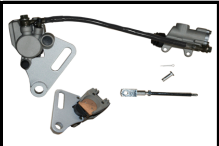








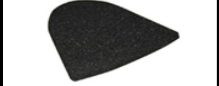
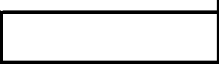
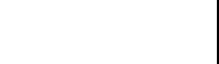
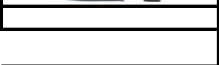
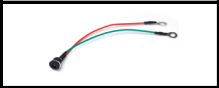














DRIVE CHAIN - CHAÎNE
 KEEP CHAIN ADJUSTED AND LUBRICATED. USE A FREELAN. SEE OWNER'S MANUAL FOR MORE INSTRUCTIONS. MANTENER LA CHAÎNE AJUSTADA Y LUBRICADA. USAR UN FREELAN. VERIFICAR LAS INSTRUCCIONES DE USO, EL MANUAL Y LA LUBRICACIÓN. VERIFICAR LAS INSTRUCCIONES DE USO, EL MANUAL Y LA LUBRICACIÓN. MANTENER LA CHAÎNE AJUSTÉE ET LUBRIFIÉE. UTILISER UN FREELAN. VOIR LE MANUEL D'UTILISATION ET LE MANUEL D'ENTRETIEN POUR PLUS D'INFORMATIONS.

TIRE INFORMATION - PNEUS
 HOLD THE PRESSURE FRONT 200PSY/29 PSI - REAR 200PSY/29 PSI. MAINTENIR LA PRESSION AVANT 200 PSI/14 BAR - ARRIÈRE 200 PSI/14 BAR. MANTENER LA PRESSION DELANTERA 200 PSI/14 BAR - ATRÁS 200 PSI/14 BAR. MANTENER LA PRESSION AVANT 200 PSI/14 BAR - ARRIÈRE 200 PSI/14 BAR.

WARNING - IMPORTANT
 BEFORE OPERATING THIS VEHICLE, YOU MUST CHECK THE ENGINE OIL LEVEL.
 AVANT DE DÉMARRER LE VÉHICULE, VÉRIFIER LE NIVEAU D'HUILE MOTEUR.

WARNING - AVERTISSEMENT
 ATTENTION: AVANT DE DÉMARRER LE VÉHICULE, VÉRIFIER LE NIVEAU D'HUILE MOTEUR. AVANT DE DÉMARRER LE VÉHICULE, VÉRIFIER LE NIVEAU D'HUILE MOTEUR. AVANT DE DÉMARRER LE VÉHICULE, VÉRIFIER LE NIVEAU D'HUILE MOTEUR. AVANT DE DÉMARRER LE VÉHICULE, VÉRIFIER LE NIVEAU D'HUILE MOTEUR. AVANT DE DÉMARRER LE VÉHICULE, VÉRIFIER LE NIVEAU D'HUILE MOTEUR.





NE PAS OUBLIER DE FAIRE LES RESERVES
D'USAGES AUPRES DU TRANSPORTEUR A
RECEPTION DES COLIS SUR LE BON DE
LIVRAISON.

PLEASE CHECK THE CONDITION OF CRATE
AT RECEIPT OF GOODS.
ANY DAMAGE SHOULD BE NOTED ON THE
CONNOTE WITH THE FREIGHT CARRIER.

WARNING - AVERTISSEMENT

WARNING:
THE SHOCK ABSORBER IS NOT LOCKED.
ATTENTION:
LA VIS DE CHAMORTISSEUR N'EST PAS SERRES.



