

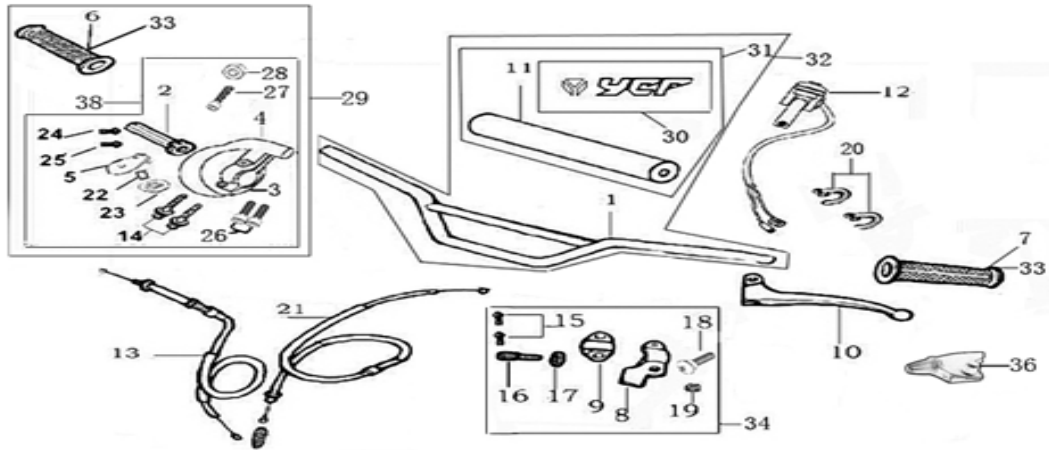


YCF-Riding.com

PILOT F125



Handle bar assembly

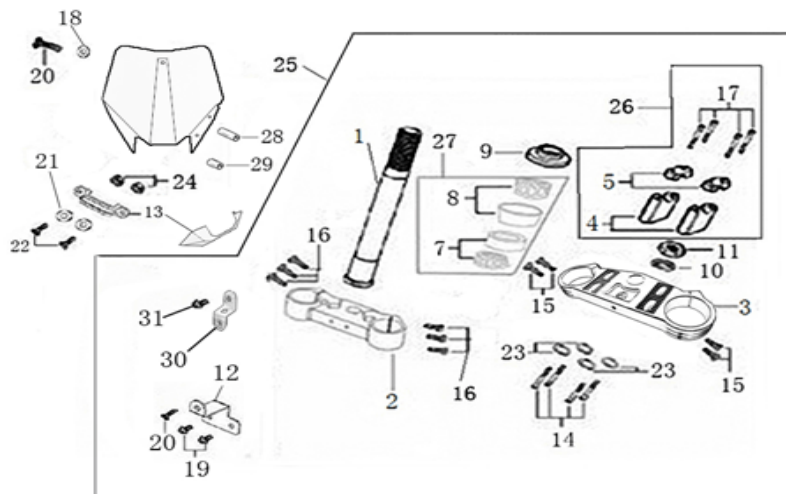


N°	Ref.	Description	Français	Qty/ Bike	MODEL
1	YC110-0101	Handle Bar START Chromelly L=740mm	Guidon chromolly START L=740mm	1	F88s12-16/F88se16/F12512-16/F125s12-16/F125se16/SM125s12-16 / P88s13-16/P12513-16/P15013-16
2	YC110-01021-01	YCF Throttle Body 2012 BLACK	plastique poignée de gaz YCF 2012 NOIR	1	ALL BIKES 2012-2016
3	YC110-01021-04	YCF Lower Throttle Body Housing 2012	dessous poignée gaz YCF 2012	1	50A12-16/F88s12-16/F88se16/F12512-16/F125s12-16/F125se16/P88s12-15/P12514-16/SM125s14-16
4	YC110-01021-03	Upper Throttle Body Housing YCF 2012	dessus poignée gaz YCF 2012	1	ALL BIKES 2012-2016
5	YC110-01021-02	Upper Throttle Body Housing Cover YCF 2012	plastique du dessus poignée gaz YCF 2012	1	ALL BIKES 2012-2016
6	YC110-01-01-GY	YCF Right Grip GREY	poignée caoutchouc droite YCF GRISE	1	ALL BIKES2012-2016
7	YC110-01-02-GY	YCF Left Grip GREY	poignée caoutchouc gauche YCF GRISE	1	ALL BIKES2012-2016
8	YC110-0108-05	Clutch upper bracket 2014 SILVER	cocotte basse embrayage 2014 SILVER	1	F12514-16/P12514-16/P15014-16/SM15014-16/SP114-16/SP214-16/SP314-16

9	YC110-0109-05	Clutch lower bracket 2014 SILVER	demi cocotte embrayage 2014 SILVER	1	F12514-16/P12514-16/P15014-16/SM15014-16/SP114-16/SP214-16/SP314-16
	FB13-8×10×8-Cu	Clutch lever bushing $\Phi 8 \times \Phi 10 \times 8.1$ mm copper	entretoise levier embrayage $\Phi 8 \times \Phi 10 \times 8.1$ mm	1	F12514-16/P12514-16/P15014-16/SM15014-16/SP114-16/SP214-16/SP314-16
10	YC110-0103-03	Clutch lever 2014 (with FB13- $\Phi 8 \times \Phi 10 \times 6$ -Cu 1EA+FB13- $\Phi 8 \times \Phi 10 \times 8$ -Cu 1EA)	levier embrayage 2014	1	RS12/RSP12/SM15012/C12/CP12/F12513-16/P12513-16/P15013-16/SM15013-16/SP113-16/SP213-16/SP314-16
11	YC110-0110-01	Bar pad for Chromolly Handlebar L=250 mm	Mousse guidon pour guidon Chromolly L=250 mm	1	F88s12-16/F88se1516/F12512-16/F125s12-16/F125se1516/F88s13-15/P12513-16/P15012-16/SM125s12-16
12	YC110-0105-01	Kill Switch ON/OFF L=580mm	Coupe circuit on off L=580mm	1	ALL BIKES2012-16 (BUT50A/SPIII)
13	YC110-0106	Throttle Cable L=840mm A+B=125	Cable gaz L=840mm A+B=125	1	ALL BIKES2012-2016(BUT50/F88s/F88se)
14	GB5787-M6×22-G	Hex. Bolt with Flanged Face M6X22	vis M6X22	2	ALL BIKES2012-16(BUT50A)
15	GB5787-M6×20-G	Hex. Bolt with Flanged Face M6X20	vis M6X20	2	F12512-16/P12514-16/P15014-16/SM15012-16/SP112-16/SP212-16/SP312-16
16	YC110-0103-04	Clutch Adjust bolt M7×18mm	Tendeur cocotte embrayage M7×18mm	1	F12512-16/P12513-16/P15013-16/SM15013-16/SP113-16/SP213-16/SP313-16
17	YC110-0117	Clutch Tight Nut M7	ecrou cocotte embrayage M7	1	F12512-16/P12513-16/P15013-16/SM15013-16/SP113-16/SP213-16/SP313-16
18	27-06022B	Clutch Stepped bolt M6X22	vis cloche embrayage M6X22	1	F12512-16/P12513-16/P15013-16/SM15013-16/SP113-16/SP213-16/SP313-16
19	6183-06000B	Clutch Self-lock Nut M6	ecrou cloche embrayage M6	1	F12512-16/P12513-16/P15013-16/SM15013-16/SP113-16/SP213-16/SP313-16
20	YC110-01-03-BK	Tape 150mm BLACK	colier maintien cable 150mm NOIR	2	ALL BIKES
20	YC110-01-03-WH	Tape 150mm WHITE	colier maintien cable 150mm BLANC	2	ALL BIKES
20	YC110-01-05-BK	Tape 350mm BLACK	colier maintien cable 350mm NOIR	5	ALL BIKES
21	YC110-0109-03	Clutch Cable Assy. L=930mm A+B=60mm	cable embrayage L=930mm A+B=60mm	1	F12513-16/P12513-16
22	YC110-0102-08	YCF Throttle cable Bearing $\Phi 8 \times \Phi 16 \times 5$ mm	Roulement poignee gas YCF $\Phi 8 \times \Phi 16 \times 5$ mm	1	ALL BIKES2012-2016
23	YC110-0102-07	YCF Throttle cable guide pulley plastic $\Phi 12 \times \Phi 16 \times \Phi 28 \times 8$ mm	Roulette plastique Poignee Gas YCF $\Phi 12 \times \Phi 16 \times \Phi 28 \times 8$ mm	1	ALL BIKES2012-2016
24	GB819-M4×12	Plus screw M4×12	vis M4×12	1	ALL BIKES2012-2016
25	GB819-M4×20	Plus screw M4×20	vis M4×20	1	ALL BIKES2012-2016

26	GB70-M6×20-B	Hex. Bolt M6×20 BLACK	vis M6×20 NOIR	2	ALL BIKES2012-2016
27	GB70-M5×12	Hex. Bolt M5×12	vis M5×12	1	ALL BIKES2012-2016(BUT50A)
30	YC110-012021-BK	PVC for Bar Pad suitable Chromolly Handlebar 246mm×156mm 2013 BLACK	PVC mousse guidon Chromolly 246mm×156mm 2013 NOIR	1	F88s12-16/F88se1516/F12512-16/F125s12-16/F125se1516/P88s13-15/P12513-16/P15012-16/SM125s12-16
31	YC110-0132BK	Complete Bar Pad for Chromolly Handlebar L=250mm 2013 BLACK	Mousse guidon complete pour guidon Chromolly L=250mm 2013 NOIR	1	F88s12-16/F88se1516/F12512-16/F125s12-16/F125se1516/P88s13-15/P12513-16/P15012-16/SM125s12-16
32	GA02-BK	Chromelly Handle Bar with bar pad and pvc START / PILOT / SM125s 2013	Guidon chromolly complet avec Mousse et Pvc START / PILOT / SM125s 2013	1	F88s12-16/F88se1516/F12512-16/F125s12-16/F125se1516/P88s13-15/P12513-16/P15012-16/SM125s12-16
33	PPC010-GY	YCF set of grip GREY	Paire de poignée caoutchouc YCF GRISE	1	ALL BIKES2012-2016
34	YC110-0126-01	Clutch bracket Assy. 2014 SILVER	Cocotte embrayage complete 2014 SILVER	1	F12514-16/P12514-16/P15014-16/SM15014-16/SP114-16/SP214-16/SP314-16
35	YC110-0134-02	Cnc adjustable bracket with lever 2014 SILVER	Cocotte CNC réglage rapide avec levier embrayage 2014 SILVER	1	F12514-16/P12514-16/P15014-16/SM15014-16/SP114-16/SP214-16/SP314-16
36	YC110-0103-10	rubber on clutch lever	caoutchouc levier embrayage	1	F12514-16/P12514-16/P15014-16/SM15014-16/SP114-16/SP214-16/SP314-16
38	YC110-01021-N	YCF Throttle Assy. 2012 without grip (with YC110-0102-08 1EA)	Poignée gaz réglable YCF 2012 nue	1	ALL BIKES12-13(BUT50CC)/F88s14-16/F88se1516/F12514-16/F125s14-16/F125se1516/P88s1415/P12514-16/SM125s14-16

Steering stem assembly

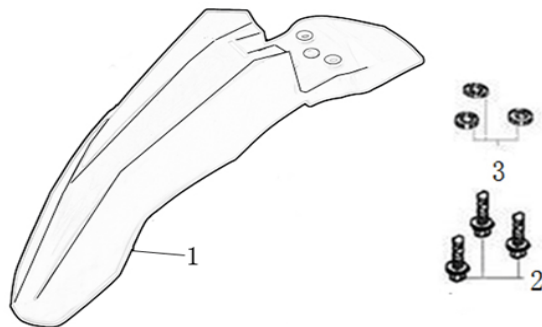


N	Ref.	Description	Français	Qty/ Bike	MODEL
1	YC110-0201-03	Steering stem 233 mm	tige colonne direction 233 mm	1	ALL BIKES2012-16(BUT50A/F88s/F88se)

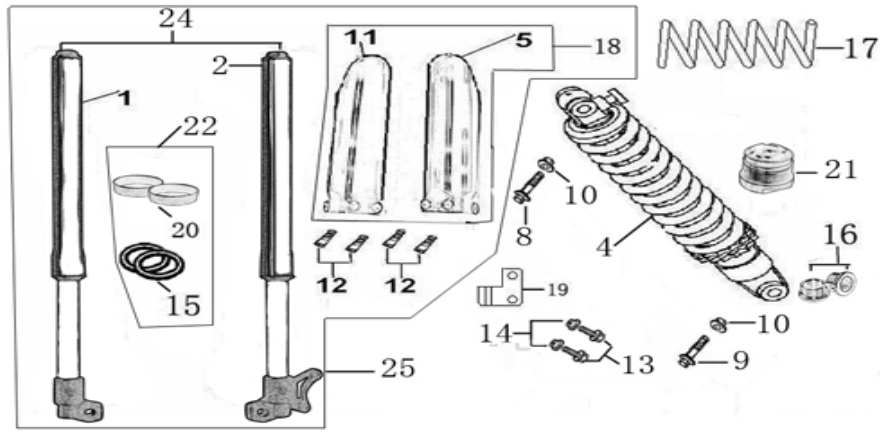
2	YC110-0202-39-GY	Lower triple clamp 160 mm ϕ 48mm 2014 MATT GERY	té fourche inferieur 160 mm ϕ 48mm GRIS MAT	1	P88s1415/P12514-16/P15014-16/SM15014
3	YC110-0201-39-GY	Top Triple Clamp 160mm ϕ 45mm (not adjustable) MATT GERY	té fourche supérieur 160 ϕ 45mmmm (non ajustable) GRIS MAT	1	P88s14-16/P12514-16/P15014-16/SM15014
4	YC110-0203-23	Lower Bar Mount CNC START type, not adjustable ϕ 22.2 / height 55 mm BLACK	Pontet guidon inférieur non ajustable type START ϕ 22.2 / hauteur 55 mm NOIR	2	ALL BIKES2012-2016(BUT50A/SP1/S P2/SP3)
5	YC110-0202-04	Top Bar Mout CNC Φ 22.2 mm/height 18mm START Type BLACK	pontet guidon supérieur Φ 22.2 mm Type START NOIR	2	ALL BIKES2013-15/ALL BIKES2016(BUTSP3)
6	YC110-0212-07OR	Front Number Plate 2014 ORANGE	PLAQUE AVANT 2014 ORANGE	1	SP115/P12516/SP315 016
7	297-46/23.5	Lower Taper roller bearing 46/23.5	roulement inférieur 46/23.5	1	ALL BIKES2012-16(BUT50A/F88s/F88se)
8	297-46/22	Top Taper roller bearing 46/22	roulement supérieur 46/22	1	ALL BIKES2012-16(BUT50A/F88s/F88se)
9	YC110-02-09	Top nut for steering ϕ 52	écrou crantellé colonne direction ϕ 52	1	ALL BIKES2012-2016
10	YC110-02-10	Washer for steering stem nut Φ 22.5 \times Φ 36 \times 0.7	joint colonne direction Φ 22.5 \times Φ 36 \times 0.7	3	ALL BIKES2012-2016
11	YC110-02-11	Nut for steering stem M22	écrou supérieur colnne direction M22	1	ALL BIKES2012-2016
13	YC110-0214-01-WH	Break Line Retainer 2014 White (with GB9074.5-M4 \times 10-W 1EA)	guide durite sur plaque avant 2014 Blanc	1	ALL BIKES2014-2016(BUT50A/F88s/F88se /F88s)
14	GB70-M8 \times 30	Stud screw M8X30	vis M8X30	4	ALL BIKES2012-16 (BUT50A)
15	GB70-M6 \times 25	Stud screw M6X25	vis M6X25	4	ALL BIKES2012-16 (BUT50A)
16	GB70-M6 \times 25	Stud screw M6X25	vis M6X25	4	ALL BIKES2012-16 (BUT50A)
17	GB70-M8 \times 25	Stud screw M8X25	vis M8X25	4	ALL BIKES2012-16 (BUT50A)
18	GB97- Φ 6-W	flat washer ϕ 6	rondelle ϕ 6	1	ALL BIKES2012-16
19	GB5787-M6 \times 16-W	Hex. Bolt with Flanged Face M6X16	vis M6X16	2	ALL BIKES2012-2016
21	GB97- Φ 4-W	flat washer ϕ 4	rondelle ϕ 4	1	ALL BIKES2012-16

22	GB818-M4×10-W	Plus screw M4×10	vis M4×10	1	ALL BIKES2012-16
23	GB93-Φ8-W	Spring washer Φ8mm	rondelle Φ8mm	4	ALL BIKES2012-2016
25	YC110-02-041-GY	Complete Triple Clamp (TOP45 / BOTTOM 48) START Type 2014 MATT GERY	Te Fourche Complet (TE SUP. 45 / TE INF.48 Type START 2014 GRIS MAT	1	P12514-16/P15014- 16/SM15014
26	YC110-0203-05	Set of Bar mount not adjustable φ22.2mm/bottom 55mm START Type BLACK (with GB70-M8×25 4EA+GB70-M8×30 4EA+GB93-Φ8-W 4EA)	jeu pontet guidon non ajustable φ 22.2mm / pontet bas 55mm Type START NOIR	1	ALL BIKES2012- 2016(BUT50A/SP1/SP2/S P3)
27	KRDIRECTION46	set of bearing for steering 46/23.5、 46/22	kit rlt colonne direction 46/23.5、 46/22	1	ALL BIKES2012- 16(BUT50CC/F88s/F88se)
30	YC110-0213-08	Number plate bracket 2014	support plaque avant 2014	1	ALL BIKES2014- 2016(BUT50A/F88s/F88se /P88s)
31	GB5787-M6×16-W	Hex. Bolt M6X16	vis M6×16	1	ALL BIKES2012-2016
32	YC110-02-20	Washer for steering stem nut	joint colonne direction	1	ALL BIKES2015- 2016 (But50A/F88s/F88s e)

Front Fender



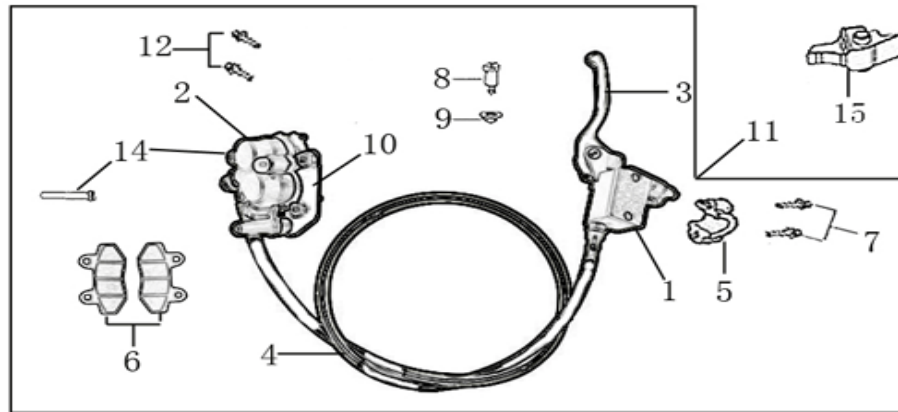
N	Ref.	Description	Français	Qty/ Bike	MODEL
1	YC110-032-01OR	YCF Front Fender 2014 ORANGE	GARDE BOUE AVANT 2014 ORANGE	1	SP115/P12516/SP315 016
2	GB5787-M6×20-W	Hex. Bolt with flanged M6X20	vis M6X20	3	ALL BIKES
	GB96-Φ6-W	Washer φ6×φ18mm	Rondelle φ6×φ18mm	3	ALL BIKES
3	YC110-03-01	Rubber washer Φ6×Φ18×4mm	caoutchouc Φ6×Φ18×4mm	3	ALL BIKES
Front & Rear absorber					



N	Ref.	Description	Français	Qty/ Bike	MODEL
1	YC110-0401-11	Front right fork 735mm (not adjustable) GREY	Tube fourche droit 735mm GRIS	1	P1251516/P15013-16/SM15013-16
1	YC110-0402-20	Front left fork 735mm (not adjustable) GREY 2016	Tube fourche gauche 735mm GRIS 2016	1	P12516/P15016/SM15016
4	YC110-0404-17	Shock absorber PILOT 310mm×800lbs YELLOW	Amortisseur PILOT 310mm×800lbs JAUNE	1	P88s13-15/P12513-16/P15013-16/SM15013-16
4	YC110-0422-02	Stick for Shock absorber L=232mm	Tube Acier mou maintient moto dans caisse L=232mm	1	P1251516/P15013-16/SM15013-16
5	YC110-04-015-BK	YCF Left front fork protection 735mm BLACK	Protection fourche YCF gauche 735 mm NOIR	1	P12516/P15016/SM15016/SP116/SP216/SP316
8	GB5787-M12×45-W	Hex. Bolt with flanged M12X45	vis M12X45	1	P88s13-16/P12513-16/P15013-16/SM15013-16/SP113-16/SP213-16/SP313-16
9	GB5787-M12×45-W	Hex. Bolt with flanged M12X45	vis M12X45	1	P88s13-16/P12513-16/P15013-16/SM15013-16/SP113-16/SP213-16/SP313-16
10	GB6187-M12-W	Self-locking Nut M12	écrou M12	2	ALL BIKES2012-2016(BUT50A)
11	YC110-04-024-BK	YCF Right front fork protection 735 mm BLACK	Protection fourche droite YCF 735 mm NOIR	1	P12516/P15016/SM15016/SP116/SP216/SP316
12	GB5787-M6×12-W	Plus screw M6X12	vis M6X12	4	P88s13-15/P12513-16/P15013-16/SM15013-16/SP113-16/SP213-16/SP313-16/SM15013-16
13	GB5787-M6×16-W	Plus screw M6X16	vis M6X16	2	ALL BIKES2012-2016
14	GB6170-M6-W	Nut M6	ecrou M6	2	P12516/P15016/SM15016/SP116/SP216/SP316/SM15016
16	YC110-0413	shock spacer φ12 mm for mono swing arm	entretoise amortisseur φ 12 mm mono bas et haut identique	2	P88s13-15/P12513-16/P15013-16/SM15013-16
16	YC110-0417-02	shock top spacer φ 12 mm for mono swing arm	Entretoise amortisseur φ 12 mm mono bas et haut identique	2	P88s13-15/P12513-16/P15013-16/SM15013-16

18	PFYCF12-BK	YCF set of fork protection 735mm 2012 black	jeu protection fourche YCF noir	1	P12516/P15016/SM15016/SP116/SP216/SP316
19	YC110-0403-05	oil steel line retainer on left front fork 2016	passee durite sur protection fourche gauche 2016	1	P12516/P15016/SP116/SP216/SP316/SM15016
24	YC110-0400-20	Pair of fork 735mm (not adjustable) GREY 2016	Jeu de fourche 735mm GRIS 2016	1	P12516/P15016/SM15016

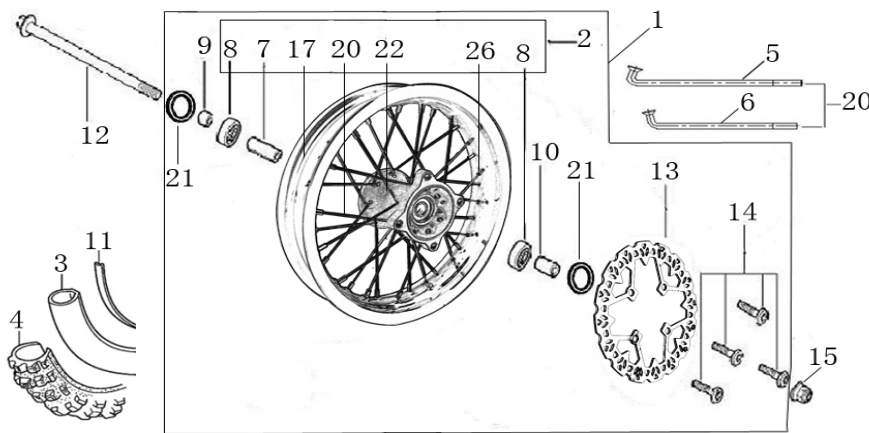
Front Brake Assy.



N	Ref.	Description	Français	Qty/ Bike	MODEL
1	YC110-0501-0104	Front Brake Reservoir for 2 pump Φ 10 2016	maitre cylindre frein avant pour étrier 2 pistons Φ 10 2016	1	P12516/P15016/SP116/SP216/SP316/SM15016
2	YC110-0501-0205	Front Brake caliper for 2 pump w/t abestos	étrier frein avant double pistons sans amiante	1	ALL BIKES2012-15 (BUT50A/F88s/F88se) /F12516/F125s16/F125se16/P12516/P15016/SP116/SM16
3	YC110-0501-014	Front brake lever 2014 With notch	LEVIER FREIN 2014	1	ALL BIKES2014-15(BUT50A)/ALL BIKES2016(BUT50A/SP2/SP3)
4	YC110-0501-0313	Front brake steel line L=1110mm Φ 10/ Φ 10 BLACK 2016	durite frein avant L=1110mm Φ 10/ Φ 10 NOIR 2016	1	P12516/P15016/SM15016/SP116/SP216
5	YC110-0501-022	Brake perch bracket for double pump	demi cocotte frein avant pour frein double pistons	1	ALL BIKES2012-16(BUT50A)
6	YC110-0501-0403	Front Brake pads for double pump brake with copper substrate	jeu plaquette frein avant pour frein 2 pistons SANS AMIANTE	2	ALL BIKES2012-15 (BUT50A/F88s/F88se) /F12516/F125s16/F125se16/P12516/P15016/SP116/SM16
7	GB5787-M6×22-G	Hex.bolt with flanged M6X22	vis M6X22	2	ALL BIKES2012-16(BUT50A)
8	HB06-M6×25-G	Hex.bolt with flanged M6X25	vis M6X25	1	ALL BIKES2012-16(BUT50A)
9	GB6177-M6-G	Self-locking nut M6	écrou M6	1	ALL BIKES2012-16(BUT50A)

10	YC110-0501-030	Bracket for front brake 2 pumps	patte frein avant etrier 2 pistons	1	ALL BIKES2012-15 (BUT50A/F88s/F88se) / F12516/F125s16/F125se16/P12516/P15016/SP116/SM16
11	YC110-0501-19	front brake assy 2 pumps L=1110mm Φ 10/10 w/t abestos 2016	kit frein avant 2 pistons avec gaine plastic noire L=1110mm Φ 10/10 sans amiante 2016	1	P12516/P15016/SM15016/SP116
14	YC110-0555	caliper screw for front brake L=50mm Army green	vis plaquette frein avant L=50mm	2	ALL BIKES2012-15 (BUT50A/F88s/F88se) / F12516/F125s16/F125se16/P12516/P15016/SP116/SM16
15	YC110-0502-01	rubber for brake lever	caoutchouc levier frein avant	1	ALL BIKES2014-15(BUT50A) /ALL BIKES2016(BUT50A/SP2/SP3)

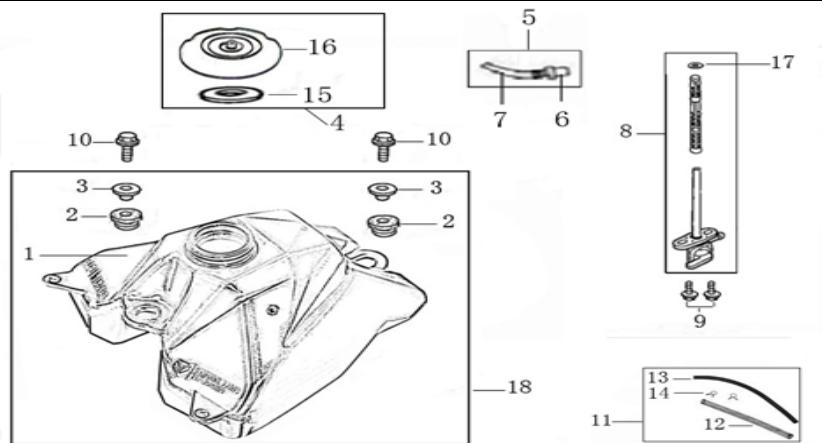
Front Wheel Assy



N	Ref.	Description	Français	Qty/ Bike	MODEL
1	YC110-0601-5D	Complete STEEL Front wheel 1.4x14' with disk 2016. Casting hub	roue avant complète ACIER 1.4x14' moyeux injecte avec disque	1	F12516/F125s16/F125se16/P12516/P15016
2	YC110-0602-51	Complete STEEL Front wheel 1.4x14' without disk. Casting hub	roue avant complète ACIER 1.4x14' moyeux injecte sans disque	1	F12512-16/F125s12-16/F125se16/P12513-16/P15013-16/SP112-15
3	CHAMBRE14	Tube for front tire 60/100-14' GL	chambre air 14' GL	1	F12512-16/F125s12-16/F125se1516/P12513-16/P15013-16/SP113-16/SP213-16/SP313-16
	FB6170-M8-Cr	Tire valve nut M8	Ecrou M8 pour chambre a air	1	ALL BIKES
4	60/100/14	Front tyre 60/100/14' GUANGLI	pneu 60/100/14' GUANGLI	1	F12512-16/F125s12-16/F125se1516/P12513-16/P15013-16/SP112-16
7	YC110-0601-02	Front axle bushing Φ 16 \times Φ 22 \times 44	entretoise central roue avant Φ 16 \times Φ 22 \times 44	1	ALL BIKES2013-15(BUT50A)/ALL BIKES2016(BUT50A/SP2/SP3)
8	96140-6202-2Z	Ball bearing 6202-2Z Φ 35 \times Φ 15 \times 11	roulement roue 6202-2Z Φ 35 \times Φ 15 \times 11	2	ALL BIKES2012-2015 (BUT50A) / ALL BIKES2016 (BUT50A/SP2/SP3)
9	YC110-06-047	Front wheel spacer right ϕ 15 \times Φ 22 \times 23mm with STEP 2015	entretoise roue avant droite ϕ 15 \times Φ 22 \times 23mm	1	ALL BIKES2015(BUT50A)/ALL BIKES2016 (BUT50A/SP2/SP3)

10	YC110-06-052	Front wheel spacer left $\phi 15 \times \Phi 22 \times 33 \text{mm}$	entretoise roue avant gauche $\phi 15 \times \Phi 22 \times 33 \text{mm}$	1	ALL BIKES2012-2015 (BUT50A) / ALL BIKES2016 (BUT50A/SP2/SP3)
11	YC110-06-01	tire lining for 1.4x14'	fond jante av 14'	1	F12512-16/F125s12-16/F125se1516/P12513-16/P15013-16/SP112-16/SP212-16/SP312-16
12	YC110-06-061	Front Axle 215 mm with Self-locking nut M14 for Marzocchi style fork	axe de roue avant L=215 mm marzocchi avec écrou M14	1	ALL BIKES2013-16 (BUT50A/SM)
13	YC110-0513-02	Front disk $\phi 220 \text{ mm}$ 2016	disque frein avant $\phi 220 \text{ mm}$ 2016	1	ALL BIKES 2016 (BUT50A/F88s/F88se)
14	GB70.2-M8x16	Screw for disk M8X16	vis disque frein M8X16	4	ALL BIKES2016 (BUT50A)
15	GB6187-M14-W	Self-locking nut M14	écrou roue avant M14	1	ALL BIKES2012-16 (BUT50A)
17	YC110-0601-01	STEEL Rim for Front wheel 1.4x14'	cerceau roue av 1,4x14' ACIER	1	F12512-16/F125s12-16/F125se1516/P12513-16/P15013-16/SP112-16
20	JR14-14.5	set of front spoke 14' (147mmx32)	Jeu rayon avant 14' (147mmx32)	1	F12512-16/F125s12-16/F125se1516/P12513-16/P15013-16/SP112-16/SP212-16/SP312-16
21	YC110-0611	OIL SEAL $\phi 22 \times 35 \times 5$	joint spy roue $\phi 22 \times 35 \times 5$	2	ALL BIKES2013-16 (BUT50A)
22	YC110-0622-02	Front hub casting with oil seal	moyeux avant injectée avec joint spy	1	ALL BIKES2012-15 (BUT50A/SPII/SPIII) / ALL BIKES 2016 (BUT50A/SP)

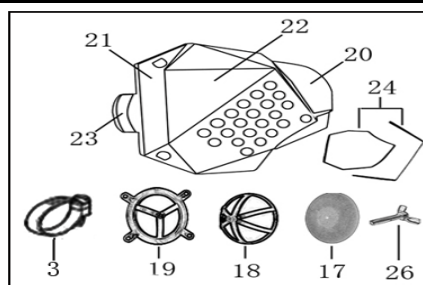
Fuel Tank



N	Ref.	Description	Français	Qty/ Bike	MODEL
1	YC110-0701-01	YCF Fuel tank with YC110-1910 1EA (suitable for pre 2013 bikes)	Reservoir YCF (Adaptable pour motos avant 2013)	1	ALL BIKES2013-16 (BUT50A)
2	YC110-07-01	Cushion for fuel tank	caoutchouc pour reservoir	2	ALL BIKES2011-16

3	YC110-07-02	Washer for fuel tank $\Phi 12 \times \Phi 30 \times 11 \text{mm}$	entretoise pour reservoir $\Phi 12 \times \Phi 30 \times 11 \text{mm}$	2	ALL BIKES2011-16
4	YC110-0702-01	YCF Tank cap plastic 2013	Bouchon reservoir plastique YCF 2013	1	ALL BIKES2013-16
5	YC125-0704-BK	Fuel tank valve BLACK	Valve prise air NOIR	1	ALL BIKES
6	YC110-0704-BK	Cap of Fuel tank valve BLACK	Capuchon Valve prise air NOIR	1	ALL BIKES
7	YC110-0705-BK	Fuel tank valve Hose L=40mm BLACK	Durite caoutchouc Vale prise air L=40mm NOIRE	1	ALL BIKES
8	YC110-0703	Fuel cock assy.	robinet essence	1	ALL BIKES
9	GB5787-M6×16-W	Hex. Bolt with flanged M6X16	vis M6X16	2	ALL BIKES2012-2016
10	GB5787-M8×30-B	screw M8X30 BLACK	vis M8x30 NOIR	2	P88s13-15/P12513-16/P15013-16/SM15013-16/SP113-16/SP213-16/SP313-16
11	YC110-0706	fuel tank rubber line + spring $\Phi 4.5 \times \Phi 8.5 \times 210 \text{mm}$	durite reservoir avec ressort $\Phi 4.5 \times \Phi 8.5 \times 210 \text{mm}$	1	ALL BIKES
12	YC110-07061	fuel tank Ispring L=180mm	ressort durite reservoir L=180mm	1	ALL BIKES
13	YC110-07062	fuel tank rubber line $\Phi 4.5 \times \Phi 8.5 \times 210$	durite reservoir $\Phi 4.5 \times \Phi 8.5 \times 210$	1	ALL BIKES
14	YC110-07063	Holding ring	collier FILTRE	2	ALL BIKES
15	YC110-0720-02	Rubber mat for tank cap plastic $\Phi 14 \times \Phi 52 \times 2 \text{mm}$ Oil proof	Caoutchouc bouchon reservoir YCF $\Phi 14 \times \Phi 52 \times 2 \text{mm}$	1	ALL BIKES2013-16
17	YC110-0717	O-RING, $\Phi 11 \times 3 \text{mm}$ For Fuel tank	Joint Thorique $\Phi 11 \times 3 \text{mm}$ pour Reservoir	1	ALL BIKES2013-16 (BUT50A)
18	YC110-0718	YCF Complete fuel tank suitable for pre 2013 bikes (with YC110-07-01 2EA+YC110-07-02 2EA+YC110-1910 1EA)	Reservoir complet YCF 2013 (Adaptable pour motos avant 2013)	1	ALL BIKES2013-16 (BUT50A)

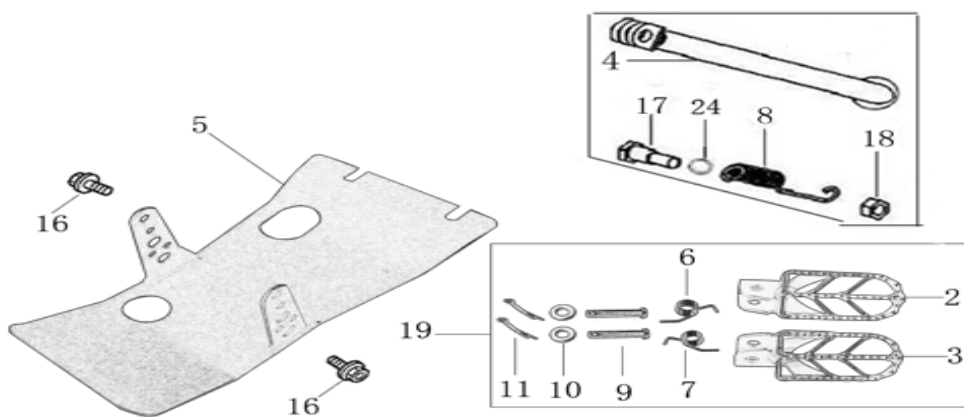
Air Filter



N	Ref.	Description	Français	Qty/ Bike	MODEL
---	------	-------------	----------	--------------	-------

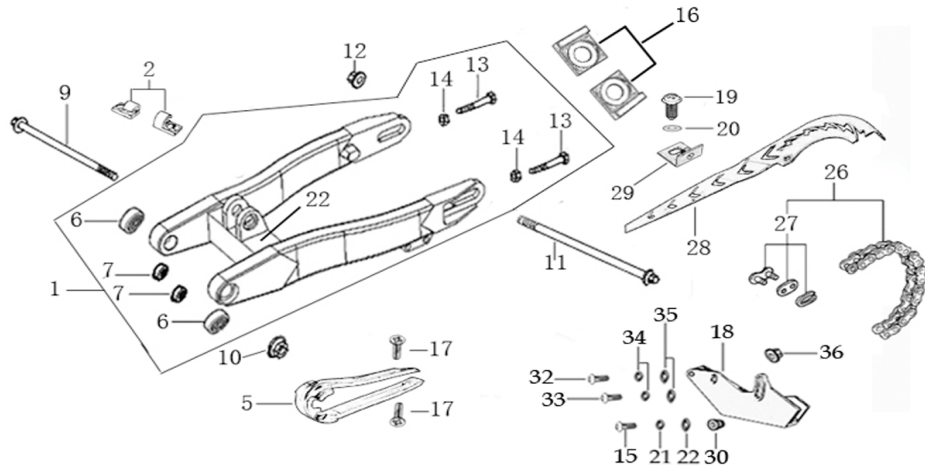
1	YC110-0801-07	Air box assy Pilot 2015	Boite a air complete Pilot 2015	1	P12516/P15016/SM15016
3	YC110-0805	Holding ring $\phi 27-\phi 51\text{mm}$	collier Filtre $\phi 27-\phi 51\text{mm}$	1	ALL BIKES2012-2016 (BUT50A)
17	YC110-08-011	YCF Air filter Foam	Mousse filtre a air YCF	1	P12516/P15016/SP112-16/SP212-16/SP312-16/SM15016
18	YC110-08-012	Top support for YCF air filter foam	support exterieur pour mousse filtre a air YCF	1	P1251516/P1501516/SM1501516/SP112-16/SP212-16/SP312-16
19	YC110-08-013	Inside support for YCF air filter foam	support interieur pour mousse filtre a air YCF	1	P1251516/P1501516/SM1501516/SP112-16/SP212-16/SP312-16
20	YC110-0820-02	Rear part of Pilot 2015 air box	Boitie arriere boite a air Pilot 2015	1	P12516/P15016/S M15016
21	YC110-0821-02	Front case of Pilot 2015 air box	Boitie avant boite a air Pilot 2015	1	P12516/P15016/S M15016
22	YC110-0822-02	Cover with logo of Pilot 2015 air box	Couvercle cote boite a air YCF avec logo Pilot 2015	1	P12516/P15016/S M15016
23	YC110-08-0174	Rubber link between air box and carb for PILOT 2016 air box $\Phi 40\text{mm}$	manchon boite a air PILOT 2016 $\phi 40\text{ mm}$	1	P12516/P15016/S M15016
25	YC110-0825-01	support of Air box PILOT 2015	Support Boit a Air Pilot	1	P12516/P15016/S M15016
26	GB62-M6x30-W	Butterfly screw M6x30	vis M6x30	1	P12516/P15016/SP113-16/SP213-16/SP313-16/SM15016

Foot Peg assy



N	Ref.	Description	Français	Qty/ Bike	MODEL
2	YC110-0902-01	Right foot peg Steel START / PILOT 2013 GREY	Repose pied Acier droit START / PILOT 2013 GRIS	1	F88s13-16/F88se1516/F12513-16/F125s13-16/F125se1516/P88s13-15/P12513-16/P15013-16/SM13-16
3	YC110-0903-01	Left foot peg Steel START / PILOT 2013 GREY	Repose pied Acier gauche START / PILOT 2013 GRIS	1	F88s13-16/F88se1516/F12513-16/F125s13-16/F125se1516/P88s13-15/P12513-16/P15013-16/SM13-16

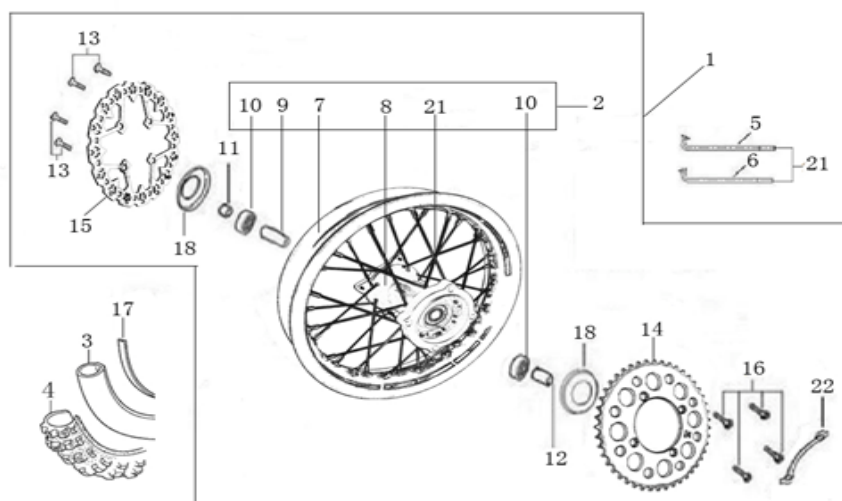
4	YC110-196	Kick stand 280mm	bequille 280mm	1	F12513-16/F125s13-16/F125se1516/P88s13-15/P12513-16/P15013-16/SM13-16
5	YC110-202-01	YCF Engine skid plate Steel START125 / PILOT /SM150 MATTE BLACK	Sabot moteur Acier YCF START125 / PILOT /SM150 NOIR MAT	1	F12513-16 /P12513-16/P15013-16/SM15013-16
6	YC110-09-01	Spring for right steel foot peg $\Phi 1.5 \times \Phi 16.5 \times 10 \text{mm}$	ressort repose pied droit acier $\Phi 1.5 \times \Phi 16.5 \times 10 \text{mm}$	1	ALL BIKES2013-2016(BUTSP1/SP2/SP3)
7	YC110-09-02	Spring for left steel foot peg $\Phi 1.5 \times \Phi 16.5 \times 10 \text{mm}$	ressort repose pied gauche acier $\Phi 1.5 \times \Phi 16.5 \times 10 \text{mm}$	1	ALL BIKES2013-2016(BUTSP1/SP2/SP3)
8	YC110-19-01	spring for kick stand $\Phi 2.5 \times \Phi 15 \times 105$	ressort bequille $\Phi 2.5 \times \Phi 15 \times 105$	1	ALL BIKES2014-16(BUTSP1/SP2/SP3)
9	119.1-085043	shaft pin for steel footpegs $\phi 8 \times 43$	axe repose pied acier $\phi 8 \times 43$	2	ALL BIKES2014-16(BUTSP1/SP2/SP3)
10	GB97- $\Phi 8$ -W	flat washer $\phi 8 \times 16 \times 1$	rondelle $\phi 8 \times 16 \times 1$	2	ALL BIKES2011-16
11	GB91- $\Phi 2 \times 25$ -W	Cotter pin 2.0x25	goupille 2.0x25	2	ALL BIKES2013-16
16	GB5787-M6x16-W	screw M6X16 for skid plate	vis sabot M6X16	2	ALL BIKES2012-2016
17	FB2-M10x35x1.5-G	Stepped screw M10X35 for kick stand	vis bequille M10X35	1	ALL BIKES2014-16(BUTSP1/SP2/SP3)
18	GB6170-M10-G	Hex. Nut M10	ecrou bequille M10	1	ALL BIKES2014-16(BUTSP1/SP2/SP3)
19	YC110-0902/10	Steel foot pegs set START / PILOT 2013 GREY	Jeu repose pied Acier START / PILOT 2013 GRIS	1	F88s13-16/F88se1516/F12513-16/F125s13-16/F125se1516/P88s13-15/P12513-16/P15013-16/SM13-16
24	GB93- $\Phi 10$ -W	Standard spring washer $\phi 10$	rondelle $\phi 10$	1	ALL BIKES2014-16(BUTSP1/SP2/SP3)
Swing Arm assy					



N	Ref.	Description	Français	Qty/ Bike	MODEL
1	YC110-1001-05	swing arm mono Steel 420mm 2015	bras oscillant acier mono Acier 420mm 2015	1	P1251516/P1501516/ SM1501516
6	6200/28-12	Swing arm bearing $\phi 28 \times \phi 12 \times 8 \text{mm}$	roulement bras oscillant $\phi 28 \times \phi 12 \times 8 \text{mm}$	2	ALL BIKES2009-16
7	YC110-1001-013	Spacer for swing arm $\Phi 12 \times \Phi 20 \times 11.5$	entretoise $\Phi 12 \times \Phi 20 \times 11.5$	2	F88s12-16/ F88se1516/F12512-16/ F125s12-16/ F125se1516/P88s12-15/ P12513-16/P15013-16/ SM12-16/SP116
13	GB5783-M8x40-W	Exterior hex. Bolt M8x40	vis tendeur chaine M8x40	2	ALL BIKES2012-16 (BUT50A)
14	FB6170-M8-W	Hex. Nut M8	ecrou tendeur chaine M8	2	ALL BIKES2012-16(BUT50A)
16	YC110-11-08	Block axle SILVER	Tendeur chaine SILVER	2	F88s12-16/ F88se1516/F12512-16/ F125s12-16/ F125se1516/P88s13-15/ P12513-16/P15013-16/ SM12-16/SP116
5	YC110-10-025	Chain slider YCF Aluminium swing arm 420mm PU	patin chaine YCF long pour Bras oscillant Aluminium YCF 420mm PU	1	P1251516/P1501516/SP112-16/ SP212-16/SP312-16/ SM1501516
2	YC110-10-014-BK	Rear brake clip for BLACK	attache durite frein arriere NOIR	1	ALL BIKES2012-15(BUTSP1/SP2/SP3)/ ALL BIKES2016 (BUTSP2/SP3)
17	GB819-M6x16-W	Plus screw M6x16	vis m6x16	5	ALL BIKES2015-16(BUTSP2/SP3)
9	YC110-10-035	Swing arm shaft with self lock nut M12 L=240mm	axe bras oscillant $\phi 10$ avec ecrou M12 L=240mm	1	P88s13-15/P12513-16/ P15013-16/SM15013-16
10	GB6187-M12-W	Self locking nut M12	ecrou bras oscillant M12	1	ALL BIKES2012-2016(BUT50A)
24	FB13-20x13x120	Central spacer steel swing arm PILOT 2013	Entretoise centrale de bras oscillant acier PILOT 2013	1	P88s13-15/P12513-16/ P15013-16/SM15013-16

11	YC110-11-074	Rear wheel axle L=215mm with Self locking nut M14	axe roue arriere avec ecrou L=215mm avec ecrou M14	1	F88s13-16/F88se1516/F12513-16/F12513-16/F125se1516/F88s13-15/P12513-16/P15013-16/SP116
12	GB6187-M14-W	Self locking nut M14	ecrou axe roue arriere M14	1	ALL BIKES2012-16(BUT50A)
18	YC110-1004	YCF chain guide assy for High class range BLACK	guide chaine YCF pour haut de gamme NOIR	1	P1251516/P1501516/SP112-16/SP212-16/SP312-16/SM1501516
15	GB70.2-M5x16	Plus screw M5X16	vis M5X16	1	P1251516/P1501516/SP112-16/SP212-16/SP312-16/SM1501516
21	GB93-Φ5-W	Standard spring washer φ5	rondelle φ5	1	P1251516/P1501516/SP112-16/SP212-16/SP312-16/SM1501516
22	GB97-Φ5-W	Flat washer φ5	rondelle φ5	1	P1251516/P1501516/SP112-16/SP212-16/SP312-16/SM1501516
30	GB6100-M6-CW	nut M6x25mm	Vis M6x25mm	5	ALL BIKES2015-16(BUTSP2/SP3)
32	GB70-M6x20	Stud screw M6X20	vis M6X20	1	P1251516/P1501516/SP112-16/SP212-16/SP312-16/SM1501516
33	GB70-M6x25	Stud screw M6X25	vis M6X25	1	P1251516/P1501516/SP112-16/SP212-16/SP312-16/SM1501516
34	GB93-Φ6-W	Standard spring washer φ6	rondelle φ6	2	P1251516/P1501516/SP112-16/SP212-16/SP312-16/SM1501516
35	GB97-Φ6-W	Flat washer φ6	rondelle φ6	2	P1251516/P1501516/SP112-16/SP212-16/SP312-16/SM1501516
36	GB6177-M6-W	Hex. Nut M6	ecrou tendeur chaine M6	1	ALL BIKES2013-15(BUT50A)/ALL BIKES2016(BUT50A/SP)
29	YC110-0600-02	Chain box protection support	Support Protection chaine plastique	1	ALL BIKES2012-2016(BUT50A)
29	YC110-0600-021	Chain box protection support	Support Protection chaine plastique	1	ALL BIKES2012-2016(BUT50A)
19	GB818-M6x12-W	Plus screw M6x12	vis M6x12	3	ALL BIKES2012-16(BUT50A)
20	GB97-Φ6	Flat washer φ6	rondelle φ6	3	ALL BIKES2012-16
26	420H-110T	Chain 420H-110T, normal	chaine 420 110 maillons standart	1	P1251516/P1501516/SM1501516
27	AR-420	Chain link	Attache rapide chaine	1	All BIKES
28	YC110-0600-01	Chain box protection	Protection chaine plastique	1	ALL BIKES2012-2015(BUT50A)/ALL BIKES2016(BUT50A/F88s/F88se)

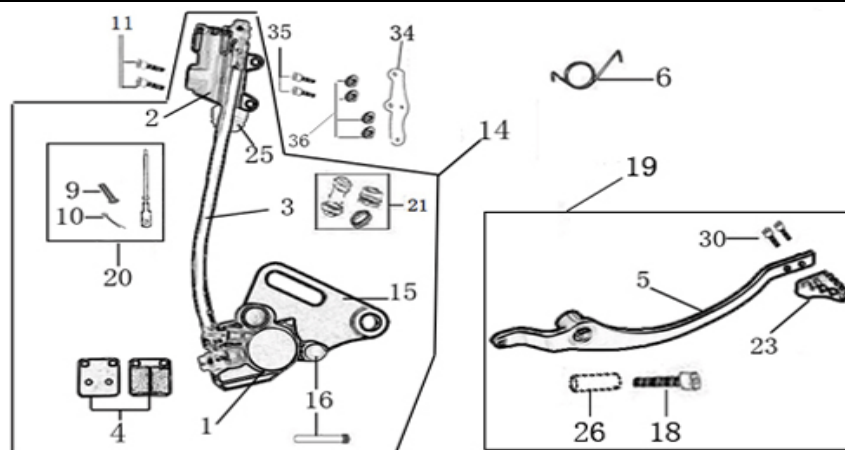
Rear Wheel Assy



N	Ref.	Description	Français	Qty/ Bike	MODEL
1	YC110-1101-2F	Complete STEEL Rear wheel 1.85x12' with disk 2016. Casting hub	Roue arriere complète ACIER 1.85x12' moyeux injecte avec disque	1	F12516/F125s16/F125se16 /P12516/P15016
2	YC110-1102-21	Complete STEEL Rear wheel 1.85x12' without disk. Casting hub	roue arriere complète ACIER 1.85x12' moyeux injecte sans disque	1	F12512-16/F125s12-16/F125se1516/P12513-3-16/P15013-16
3	CHAMBRE12	Tube for Rear tire 3.00-12' GL	chambre air 12' standard GL	1	ALL BIKES2012-2016(BUT50A/F88s/F88se/P88s)
	FB6170-M8-Cr	Tire valve nut M8	Ecrou M8 pour chambre a air	1	ALL BIKES
4	300/12	Rear tyre 80/100-12' GUANGLI	pneu arriere 80/100/12 GUANGLI	1	F12512-16/F125s12-16/F125se16/P12513-16/P15013-16/SP112-16
7	YC110-1101-012	STEEL Rim 1.85x12'	cerceau roue 1,85x12' ACIER	1	F12512-16/F125s12-16/F125se1516/P12513-16/P15013-16/SP112-16
8	YC110-1122-02	Rear wheel hub Casting with oil seal	moyeux arriere injectée avec joint spy	1	ALL BIKES2012-16 (BUT50A/SP)
10	96140-6202-2Z	Ball bearing 6202-2Z $\Phi 35 \times \Phi 15 \times 11$	roulement roue 6202-2Z $\Phi 35 \times \Phi 15 \times 11$	2	ALL BIKES2012-2015 (BUT50A) /ALL BIKES2016 (BUT50A/SP 2/SP3)
11	YC110-11-041	Rear wheel spacer right $\Phi 15 \times \Phi 22 \times 29$ mm	entretoise roue arriere droite $\Phi 15 \times \Phi 22 \times 29$ mm	1	F88s12-16/F88se1516/F12512-16/F125s12-16/F125se1516/P88s12-15/P12513-16/P15013-16/SM12-16/SP116
12	YC110-11-052	Rear wheel spacer left $\Phi 15 \times \Phi 22 \times 38$ mm	entretoise roue arriere gauche $\Phi 15 \times \Phi 22 \times 38$ mm	1	F88s12-16/F88se1516/F12512-16/F125s12-16/F125se1516/P88s12-15/P12513-16/P15013-16/SM12-16/SP116
13	GB70.2-M8x16	Screw for disk M8X16	vis disque frein M8X16	4	ALL BIKES2016 (BUT50A)

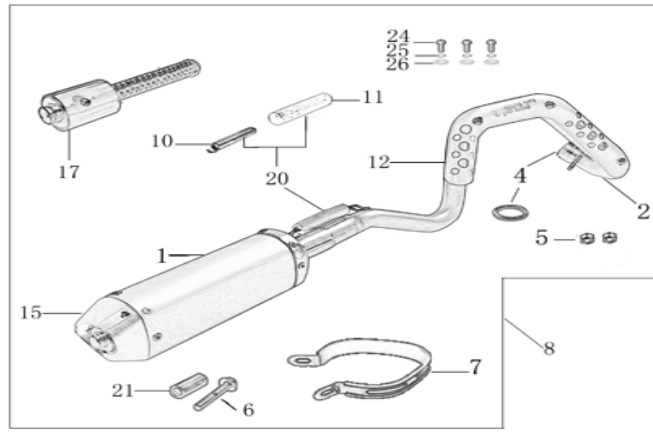
14	YC110-11-06/45	YCF Driven sprocket 420-45T	couronne acier 45T YCF	1	50A16/F12512-16/F125s12-16/F125se1516/P12513-16/P15013-16/SM12-16
15	YC110-1115-01	Rear Brake disc ϕ 200mm 2016	Disque frein arrièrè ϕ 200 mm 2016	1	ALL BIKES 2016(BUT50A)
16	GB5783-M8x25-W	Exterior Hex.Bolt M8X25	vis M8x25	4	F88s13-16/F88se1516/F12513-16/F125s13-16/F125se1516/F88s13-15/P12513-16/P15013-16/SM13-16
17	YC110-11-01	tire lining 12"	fond jante 12'	1	ALL BIKES2012-2015(BUT50A/F88s/F88se/F88s)/ALL BIKES2016(BUT50A/F88s/F88se)
18	YC110-0611	oil seal Φ 22x Φ 35x5	joint spy roue Φ 22x Φ 35x5	2	ALL BIKES2013-16(BUT50A)
21	JR12-12.7	set of spoke 12' (125mmx16+128mmx16)	jeu rayon arrièrè 12' (125mmx16+128mmx16)	1	F12513-16/F125s13-16/F125se1516/P12513-16/P15013-16/SP113-16
22	YC110-11-03	Sprocket Locking piece	block couronne	2	ALL BIKES2013-16 (BUTSP1/SP2/SP3)

REAR BRAKE



N	Ref.	Description	Français	Qty/ Bike	MODEL
1	YC110-1201-04	Rear Caliper 1 pistons w/t abestos	étrier frein arrièrè 1 piston sans amiante	1	ALL BIKES2012-2015(BUT50A) /ALL BIKES2016(BUT50A/SP2/SP3)
2	YC110-1201024	Rear reservoir ϕ 10mm (with stick L=45mm)	maître cylindre frein arrièrè avec embout durite ϕ 10mm	1	P12516/P15016/SM15016
3	YC110-1201048	Oil steel tube L=465mm Φ 10/ Φ 10 PILOT 2016	durite frein arrièrè L=465mm Φ 10/ Φ 10 PILOT 2016	1	P12516/P15016/SM15016/SP116
4	YC110-1204	Friction pad for 1 piston brake w/t abestos with copper substrate	plaquette frein arrièrè 1 piston SANS AMIANTE	2	ALL BIKES2012-2015 (BUT50A/F88s/F88se) /ALL BIKES2016 (BUT50A/F88s/F88se/SP2/SP3)

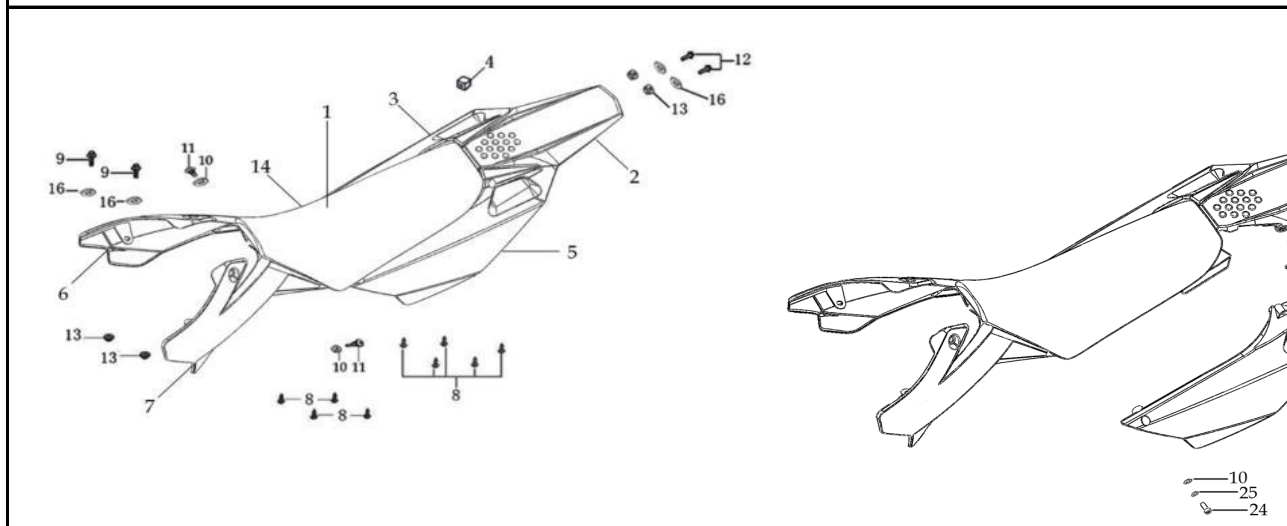
5	YC110-1205-06	Steel brake pedal PILOT88s	pédale de frein PILOT88s	1	P88s13-15/P12513-16/P15013-16/SM15013-16
6	YC110-21-01	Spring for Steel brake pedal' $\Phi 3 \times \Phi 32 \times 7 \text{mm}$	ressort pour pédale de frein Acier $\Phi 3 \times \Phi 32 \times 7 \text{mm}$	1	ALL BIKES2013-14(BUT50A)/ALL BIKES2015-2016(BUT50A/SP1/SP2/SP3)
9	119.1-07016	Pin shaft 7x16mm	axe 7x16mm	1	ALL BIKES2012-16 (BUT50A)
10	GB91- $\Phi 1.6 \times 16$ -W	Split pin 1.6x16mm	goupille 1.6x16mm	1	ALL BIKES2012-16 (BUT50A)
11	GB70-M6x20	Hex. Bolt M6x20	vis M6x20	2	ALL BIKES2013-16(BUT50A)
14	YC110-12012-24	Rear brake aasy 1 piston W/T ABESTOS $\Phi 10 / \Phi 10 \text{ L}=465 \text{mm}$ 2016	Kit frein arriere 1 piston avec gaine plastic SANS AMIANTE $\Phi 10 / \Phi 10 \text{ L}=465 \text{mm}$ 2016	1	P12516/P15016/SM15016
15	YC110-1201-01	Rear brake bracket T=5MM	patte fixation étrier frein arriere T=5MM	1	ALL BIKES2012-15(BUT50A)/ALL BIKES2016(BUT50A/SP2/SP3)
16	YC110-1255	Rear Brake pads Screw L=38mm	Vis plaquette AR L=38mm	2	ALL BIKES2012-15(BUT50A)/ALL BIKES2016(BUT50A/SP2/SP3)
18	GB70.1-M10x35-W	Nut for brake pedal M10X35	vis pour pédale frein M10X35	1	P88s13-16/P12513-16/P15013-16/SM15013-16/SP113-16/SP213-16/SP313-16
19	YC110-217-01	Steel brake pedal PILOT / SM150 2013	Pédale de frein Acier PILOT / SM150 2013	1	P88s13-15/P12513-16/P15013-16/SM15013-16
21	YC110-120110	rubber for rear caliper	jeu de caoutchouc d'etrier frein arriere	1	ALL BIKES2012-2015 (BUT50A) /ALL BIKES2016 (BUT50A/SP2/SP3)
23	YC110-21-10	Steel brake pedal end cap	embout pédale de frein Acier	1	P88s12-16/F88se1516/F12512-16/F125s12-16/F125se1516/F88s12-15/P12513-16/P15013-16/SM12-16
25	YC110-12025-01	Rubber for REAR RESERVOIR PUSH STICK 2016	Caoutchouc tige maitre cylindre frein arrier 2016	1	P12516/P15016/SP116/SP216/SP316/SM15016
26	FB13-10x14x17-CW	bushing $\Phi 10 \times \Phi 14 \times 17 \text{mm}$	entretoise $\Phi 10 \times \Phi 14 \times 17 \text{mm}$	1	P88s13-15/P12513-16/P15013-16/SM15013-16
30	GB70-M6x16-Cr	Hex. Bolt M6x16	vis M6x16	2	F88s13-16/F88se1516/F12513-16/F125s13-16/F125se1516/F88s13-15/P12513-16/P15013-16/SM13-16
34	YC110-1215-03	Mount for rear break reservoir "extern"PILOT/SP 2016	fixation maitre cylindre frein arriere "externe" PILOT/SP 2016	1	P12516/P15016/SM15016/SP116/SP216/SP316
35	GB70-M6x16	Hex. Bolt M6x16	vis M6x16	2	P88s13-15/P12513-16/P15013-16/SM15013-16/SP113-16/SP213-16/SP313-16
36	GB93- $\Phi 5$	Standard spring washer $\phi 5$	rondelle $\phi 5$	4	P88s13-15/P12513-16/P15013-16/SM15013-16
Exhaust system					



N	Ref.	Description	Français	Qty/ Bike	MODEL
1	YC110-13016-GY	YCF Muffler 94db START L=295mm (1 springs) 2015 GREY	silencieux YCF 94db 2015 GRIS	1	F88s1516/F88se1516/F1251516/F125s1516/F125se1516/P88s15/P1251516/P1501516/SM1516
2	YC110-1302-10	Exhaust pipe with protection plate Φ 28 mm PILOT 2015	collecteur avec plaque Φ 28 mm PILOT 2015	1	P88s15/P1251516/P1501516/SM1501516
4	18291/152FMH	Exhaust pipe washer ϕ 32 \times ϕ 25.5 \times 4	joint pot ϕ 32 \times ϕ 25.5 \times 4	1	ALL BIKES2012-2016 (BUT50A)
5	GB6170-M6-W	Hex flanged self locking nut M6	écrou M6	2	ALL BIKES
6	GB5787-M8 \times 35-W	Hex. Bolt with flanged M8 \times 35	vis M8 \times 35	1	50A13-16/P12513-16/P15013-16/SM15013-16
7	YC110-13-04	Hoop for muffler YCF START 2011(with FB13- Φ 10 \times Φ 14 \times 23-W 1EA+GB5787-M8 \times 40-W 1EA)	Attache silencieux YCF START 2011	1	5011/F88s12-16/F88se1516/F12512-16/F125s12-16/F125se1516/P88s12-15/P12513-16/P15012-16/SP112-16/SM12-16
8	YC110-136-03-GY	PILOT / SM150 Muffler& Exhaust pipe assy YCF 94db (1 spring)	Echappement complet YCF 94db PILOT / SM150 (1 ressort)	1	P88s15/P1251516/P1501516/SM1501516
10	YC110-13-201	muffler spring Φ 6.5 \times Φ 9 \times 50mm	ressort pot Φ 6.5 \times Φ 9 \times 50mm	1	ALL BIKES2012-14(BUT50A)/ALL BIKES2015-16 (BUT50A/SP)
11	YC110-138	rubber for muffler spring	caoutchouc ressort pot	1	ALL BIKES2012-16(BUT50A)
12	YC110-1312-02	Protection for exaust pipe PILOT / SM150 2013	Grille pot PILOT / SM150	1	P88s13-15/P12513-16/P15013-16/SM15013-16
15	YC110-13-32	Muffler end cap YCF	Emout silencieux YCF	1	5011/F88s12-16/F88se1516/F12512-16/F125s12-16/F125se1516/P88s12-15/P12513-16/P15013-16/SM12-16/SP113-16
17	YC110-13-301	Noise reducer (spark arrestor) YCF START	Bride de pot YCF START	1	F88s12-16/F88se1516/F12512-16/F125s12-16/F125se1516/P88s12-15/P12513-16/P15013-16/SM12-16/SP112-16

20	YC110-13-21	muffler spring with rubber	ressort pot avec le caoutchouc	1	ALL BIKES2012-14(BUT50A)/ALL BIKES2015-16 (BUT50A/SP)
24	GB70.2-M6×10-Cr	Plus screw M6×10	vis M6×10	3	ALL BIKES2013-16
25	GB93-Φ6-W	Standard spring washer φ6	rondelle φ6	3	ALL BIKES2013-16
26	GB97-Φ6-W	flat washer φ6	rondelle φ6	3	ALL BIKES2012-16

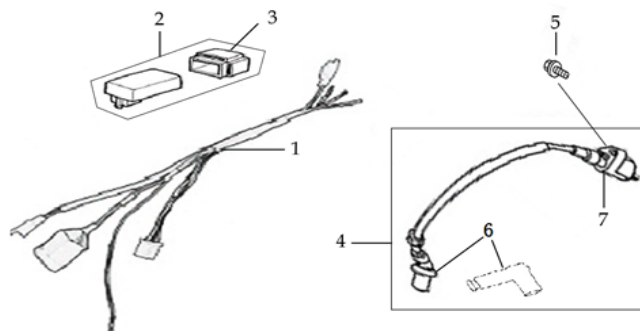
Seat & Plastic kit



N	Ref.	Description	Français	Qty/ Bike	MODEL
1	YC110-1401-09	YCF Seat assy L=510mm 2016	Sells SP 2016	1	P12516/P15016/SM15016/SP116/SP216/SP316
2	YC110-14-018BK	YCF Rear fender 2016 BLACK	Garde boue arrière YCF 2016 avec Picots NOIR	1	P12516/P15016/SM15016/SP116/SP216/SP316
3	YC110-14-028BK	YCF right side plastic assy 2016 BLACK	Plaque latérale droite YCF 2016 NOIRE	1	P12516/P15016/SM15016/SP116/SP216/SP316
17	YC110-1428-01BK	YCF Handle for right side plastic 2016 BLACK	Paire de Poignées Droite pour Plaque Laterales YCF 2016	1	P12516/P15016/SM15016/SP116/SP216/SP316
19	YC110-1419-01-BK	YCF right side plastic 2016 BLACK	Plaque latérale droite YCF 2016 NOIRE	1	P12516/P15016/SM15016/SP116/SP216/SP316
5	YC110-14-048BK	YCF left side plastic assy 2016 BLACK	Plaque laterale gauche YCF 2016 NOIR	1	P12516/P15016/SM15016/SP116/SP216/SP316
18	YC110-1429-01BK	YCF Handle for left side plastic 2016 BLACK	Paire de Poignées Gauche pour Plaque Laterales YCF 2016	1	P12516/P15016/SM15016/SP116/SP216/SP316
20	YC110-1420-01-BK	YCF left side plastic 2016 BLACK	Plaque laterale gauche YCF 2016 NOIR	1	P12516/P15016/SM15016/SP116/SP216/SP316
21	YC110-1404-01	Cushion for side plastic Φ8.2Φ20.2×9mm 2016	caoutchouc plaque laterale Φ8.2Φ20.2×9mm 2016	2	P12516/P15016/SM15016/SP116/SP216/SP316
4	YC110-14-03	Cushion for right side plastic	caoutchouc plaque laterale droite	1	ALL BIKES

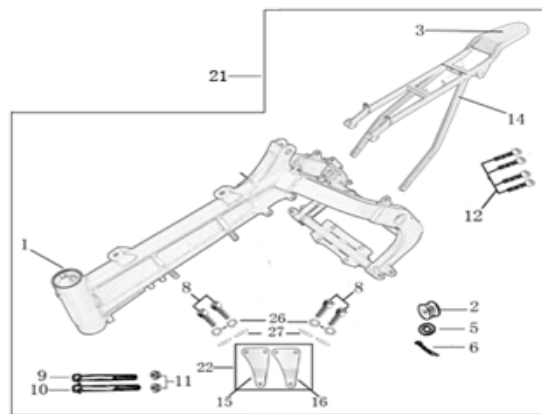
22	GB70.2-M5×12-Cr	Plus screw M5X12	vis M5X12	2	P12516/P15016/SM15016/SP116/SP216/SP316
23	GB70-M6×12-Cr	Hex. Bolt M6x12	vis M6x12	2	P12516/P15016/SM15016/SP116/SP216/SP316
24	GB70-M6×16-Cr	Hex. Bolt M6x16	vis M6x16	2	P12516/P15016/SM15016/SP116/SP216/SP316
25	GB95-Φ6-W	flat washer Φ6.6×Φ12	rondelle Φ6.6×Φ12	4	P12516/P15016/SM15016/SP116/SP216/SP316
10	YC110-02-13	Rubber washer Φ6×Φ14×3mm	joint caoutchouc Φ6×Φ14×3mm	4	ALL BIKES2012-16
6	YC110-14-052BK	YCF Right shroud BLACK	Ouie radiateur droite YCF NOIRE	1	ALL BIKES2015-16(BUT50A/50E)
7	YC110-14-062BK	YCF Left side shroud BLACK	Ouie radiateur gauche YCF NOIRE	1	ALL BIKES2015-16(BUT50A/50E)
8	GB845-ST4.8×16-G	Screw for plastic kit ST4.8x16	vis plastique ST4.8x16	8	ALL BIKES2012-16
8	GB845-ST4.8×20-G	Screw for plastic kit ST4.8x20	vis plastique ST4.8x20	1	P88s13-15/P12513-16/P15013-16/SM15013-16/SP113-16/SP213-16/SP313-16
9	GB5787-M6×20-W	hex. Bolt with flanged M6x20	vis M6x20	2	ALL BIKES2012-16
10	YC110-02-13	Rubber washer Φ6×Φ14×3mm	joint caoutchouc Φ6×Φ14×3mm	2	ALL BIKES2012-16
11	FB5787-M5×12-W	hex. Bolt with flanged M5×12	vis M5x12	2	ALL BIKES2012-16
11	GB96-Φ5-W	flat washer Φ5×Φ12	rondelle Φ5×Φ12	2	ALL BIKES2015-16
12	GB5787-M6×20-B	hex. Bolt with flanged M6x20 BLACK	vis M6x20 NOIR	2	ALL BIKES2012-16
13	GB6177-M6-W	Hex. Flanged nut M6	écrou M6	2	ALL BIKES2012-16
14	YC110-14025	YCF seat cover 2016	Housse selle YCF 2016	1	P12516/P15016/SM15016/SP116/SP216/SP316
16	YC110-03-01	Rubber washer Φ6×Φ18×4mm	joint caoutchouc Φ6×Φ18×4mm	4	ALL BIKES2012-16
16	GB96-Φ6	flat washer φ6	rondelle φ6	4	ALL BIKES2012-16

ELECTRIC



N	Ref.	Description	Français	Qty/ Bike	MODEL
1	YC110-1501	Wire harness 125CC	Faisceaux électrique 125CC	1	F12512-16/F125s12-16/P12513-16/P15013-16/SP112-16/SP212-16/SM12-16
2	YC110-1503	CDI Ignitor assy.125cc	CDI 125cc	1	FP1112/F12512-16/F125s12-16/F125se1516/P12513-16/P15013-16/SM12-16/SP112-16/SP212-16
3	YC110-1501-03	Ignitor rubber	caoutchouc cdi	1	ALL BIKES2012-16 (BUT50A/SP3)
4	YC110-1504-02	Ignitor coil L=240mm	bobine haute tension L=240mm	1	F12512-16/F125s12-16/F125se1516/P88s12-15/P12513-16/P15013-16/SM12-16/SP114-16/SP214-16
5	GB5787-M6×20	Hex. Bolt with flanged M6x20	vis M6x20	1	ALL BIKES2013-16(BUT50A/SP3)
6	YC110-1505	anti interference red	anti parasite rouge	1	ALL BIKES2012-2016 (BUT50A/SP3)
7	YC110-1504	Ignitor coil	bobine haute tension	1	ALL BIKES2012-2016 (BUT50A/SP3)

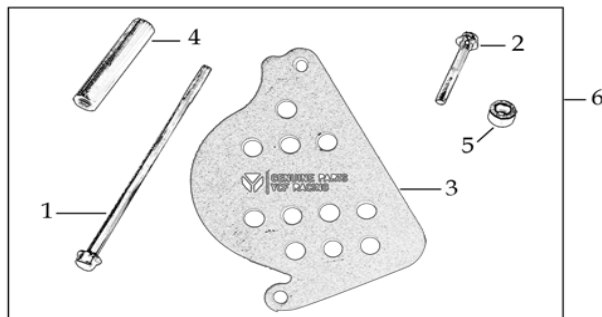
Frame



N	Ref.	Description	Français	Qty/ Bike	MODEL
1	YC110-176-06-WH	PILOT F150 / SM150 Chromely Frame (for fork 735mm) 2014 WHITE	Cadre chromolly PILOT F150 / SM150 (pour fourche 735mm) 2014 BLANC	1	P1251516/P15014-16/SM15014-16
2	YC110-2201	YCF Chain tensioner component	roulette chaine YCF	1	ALL BIKES2011-2016 (BUT50A)
3	YC110-0700-11	Tail cover sponge	Mousse Boucle arriere	1	ALL BIKES2014-16(BUT50A/SP3)
5	GB97-Φ10-W	Flat washer φ10x17x2	rondelle φ10x17x2	1	ALL BIKES2014-16 (BUT50A)
6	GB91-Φ2×25-W	cotter pin φ2.0×25	goupille φ2.0×25	1	ALL BIKES2013-16
8	GB70-M8×20	Hex. Bolt with flanger M8x20	vis boucle arriere M8x20	2	P88s13-15/P12513-16/P15013-16/SP113-16/SP213-16/SP313-16/SM15013-16

8	GB70-M8x14	Hex. Bolt with flanger M8x14	vis boucle arriere M8x14	2	P88s13-15/P12513-16/P15013-16/SM15013-16
9	GB5787-M8x110-W	Hex. Bolt with flanger face M8X110	vis m8x110	1	F88s13-16/F88se1516/F12513-16/F125s13-16/F125se1516/F88s13-15/P12513-16/P1513-16/P15013-16/SM13-16
9	GB5787-M8x100-W	Hex. Bolt with flanger M8x100	vis M8x100	1	F88s13-16/F88se1516/P88s13-15/P12513-16/P15013-16/SM15013-16
10	GB6187-M8-W	Self locking nut M8	ecrou M8	2	ALL BIKES
12	GB70-M8x25	Hex. Bolt with flanger M8x25	vis boucle arriere M8x25	4	F12513-16/F125s13-16/F125se1516/P88s13-15/P12513-16/P15013-16/SM13-16
14	YC110-1614-07	STEEL rear frame part P150/SM150 2016 BLACK	Boucle arriere de cadre ACIER P150/SM150 2016 NOIR	1	P12516/P15016/SM15016
	YC110-1404-01	Rubber for Subframe	Caoutchouc pour Boucle Arriere	2	P12516/P15016/SM15016/SP116/SP216/SP316
15	YC110-1615-02-BK	frame engine pads left PILOT 150/SM150 BLACK 2014	patte de cadre gauche PILOT 150/SM150 2014 NOIRE	1	P1251516/P15014-16/SM15014-16
16	YC110-1616-02-BK	frame engine pads right P150/SM150 2014 BLACK	patte de cadre droite PILOT P150/SM150 2014 NOIRE	1	P1251516/P15014-16/SM15014-16
21	YC110-181-06-WH	complète frame PILOT F150 / SM F150 WHITE / Black pads 2016	cadre complet PILOT F150 / SM F150 BLANC / Pattes Noires 2016	1	P12516/P15016/SM15016
22	YC110-1622-02-BK	set of engine pads PILOT 150 /SM150 2014 BLACK	jeu de patte de cadre PILOT 150/ SM150 2014 NOIRE	1	P1251516/P15014-16/SM15014-16
26	GB93-Φ8-W	washer φ8	rondelle φ8	4	P88s13-15/P12513-16/P15013-16/SP113-16/SP213-16/SP313-16/SM15013-16
27	GB97-Φ8-W	Flat washer Φ8	rondelle Φ8	4	P88s13-15/P12513-16/P15013-16/SP113-16/SP213-16/SP313-16/SM15013-16

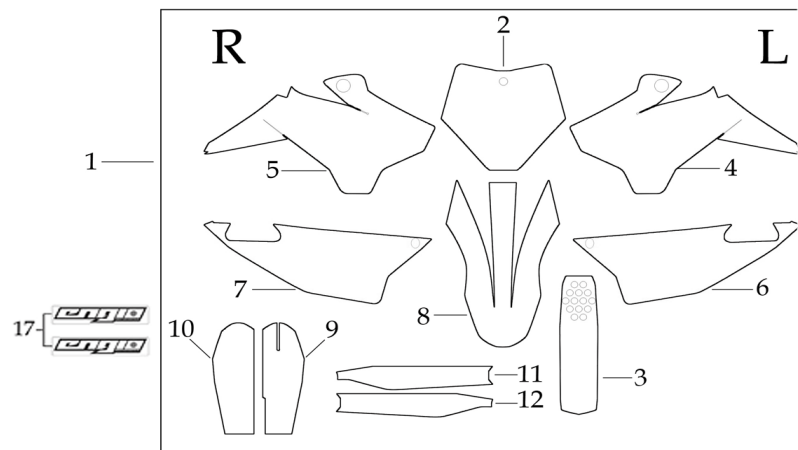
FRONT SPROCKET PROTECTION



N	Ref.	Description	Français	Qty/ Bike	MODEL
1	GB5787-M6x120-Cr	Hex. Bolt with flanger M6x120 Chrome	vis M6x120	1	ALL BIKES2012-16 (BUT50A/F88se/F125se/SP3)

2	GB5787-M6×40-Cr	Hex. Bolt with flanger M6×40 Chrome	vis M6×40	1	ALL BIKES2012-16 (BUT50A/F88se/F125se/SP3)
3	YC110-24-074-BK	Aluminium chain protection 2013 PILOT / FACTORY BLACK	Protection PSB Aluminium 2013 PILOT / FACTORY NOIR	1	P88s13-15/P12513-16/P15013-16/SP113-16/SP213-16/SM15013-16
4	FB13-7×12×55-W	bushing $\Phi 7 \times \Phi 12 \times 55$	entretoise $\Phi 7 \times \Phi 12 \times 55$	1	ALL BIKES2012-16 (BUT50A/F88se/F125se/SP3)
5	FB13-7×12×7-W	bushing $\Phi 7 \times \Phi 12 \times 7$	entretoise $\Phi 7 \times \Phi 12 \times 7$	1	ALL BIKES2012-16 (BUT50A/F88se/F125se/SP3)
6	YC110-253BK	Complete Aluminium chain protection 2013 PILOT / FACTORY 2013 BLACK	Protection complète PSB Aluminium 2013 PILOT / FACTORY 2013 NOIRE	1	P88s13-15/P12513-16/P15013-16/SP113-16/SP213-16/SM15013-16

GRAPHICS



N	Ref.	Description	Français	Qty/ Bike	MODEL
1	KDP1252016	PILOT F125 complete graphic kit 2016	Kit deco complet PILOT F125 2016	1	P12516
2	YC110-33-016	Front plate graphic PILOT 2016	Sticker Plaque avant PILOT 2016	1	P12516/P15016
3	YC110-33-026	Rear mudguard graphic P125 2016	Sticker GB Arriere P125 2016	1	P12516
4	YC110-33-036	Left shrouder graphic P125 2016	Sticker Ouie gauche radiateur P125 2016	1	P12516
5	YC110-33-046	Right shrouder graphic P125 2016	Sticker Ouie droite radiateur P125 2016	1	P12516
6	YC110-33-056	Left side plate graphic P125 2016	Sticker Plaque laterales gauche P125 2016	1	P12516

7	YC110-33-066	Right side plate graphic P125 2016	Sticker Plaque laterales droite P125 2016	1	P12516
8	YC110-33-076	Front fender Front fender graphic PILOT 2016	Sticker GB Avant PILOT 2016	1	P12516/P15016
9	YC110-33-086	Front left shock protection graphic P125 2016	Sticker Protection gauche fourche P125 2016	1	P12516
10	YC110-33-096	Front right shock protection graphic P125 2016	Sticker Protection droit fourche P125 2016	1	P12516
	YC110-1909	Sticker FACTORY Shock Absorber	Autocollant FACTORY Amortisseur	1	ALL BIKES2013-16 (BUT50A/SP3)
	YC110-1910	GAS TANK STICKER	STICKER RESERVOIR	1	ALL BIKES2013-16(BUT50A)
	YC110-1901	Sticker Chain	Autocollant Chaîne	1	ALL BIKES2013-16
	YC110-1902	Sticker Tire	Autocollant Pression Pneu	1	ALL BIKES2013-16
	YC110-1903	Sticker Warning OIL Level	Autocollant Attention Niveau Huile	1	ALL BIKES2013-16
	YC110-1904	Sticker Rear Mudguard 70×57mm	Autocollant garde boue arriere 70×57mm	1	ALL BIKES2013-16
	YC110-1905	Sticker CE	Autocollant CE	1	ALL BIKES2013-16
	YC110-1906	Warning sticker	Sticker Attention	1	ALL BIKES2013-16
	YC110-1907	Warning Sticker Transport	Sticker Caisse Avertissement Transport	1	ALL BIKES2013-16
	YC110-1908	Warning Sticker Shosk Absorber	Sticker Avertissement Amortisseur	1	ALL BIKES2013-16
ENGINES					
	MOTEUR125P	ENGINE 125 YX "O" Start	MOTEUR YX 125 Demarage en Prise	1	F12513-16/P12513-16
	17311-4	Inlet Pipe,Pro P125 2015	PIPE ADMISSION P125 2015	1	P1251516
	17322/152FMH	carburettor paper gasket Φ28	joint papier carburateur Φ28	1	ALL BIKES2015-16 (BUT50A/SP3190)

	17332/152FMH01	Intake Gasket	JT PAPIER PIPE ADMISSION	1	ALL BIKES2015-16 (BUT50A/SP3190)
	F00C039	carburettor isolating gasket Ø27.5	joint plastique carburateur Ø27.5	1	ALL BIKES2015-16 (BUT50A/SP3190)
	11411/152FMH	Crankcase Cover, LH	CARTER ALLUMAGE	1	ALL BIKES2015-16 (BUT50A/SP3190)
	RCSC-BK	Right crankcase small Cover 88/125 BLACK	DEMI CARTER EMBRAYAGE NOIR 88/125	1	F88s14-16/F88se1516/F12514-16/F125s14-16/F125se1516/P88s1415/P12514-16/SM125s14-16
	YC140-27500-SI	STEEL KICK YCF 2015 SMALL HOLE	KICK ACIER 2015 PETIT DIAMETRE SILVER	1	P88s1516/P1251516
	24700/152FMH	Gearshift Pedal	SELECTEUR	1	F88s1516/F12513-16/F125se1516/P12513-16/P15013-16/SM15013-16/SP113-16/SP213-16/SP313-16

MIKUNI - KIT CARBU

	YC110-3847	MIKUNI Carburetor 26 RS/RSSA/SM125 2012 with main jet 95 and slow jet 15	Carburateur26 MIKUNI RS/RSSA/SM125 2012 GICLEUR 95 GICLEUR 15	1	F12513-16/F125s13-16/F125se1516/P12513-16/SM125s13-16
	GICLEUR107.5	main jet 107.5	GICLEUR 107.5	1	P12516
	YC110-3847-01	Carburetor spring Ø17×70mm	Ressort Carbu	1	F12513-16/F125s13-16/F125se1516/P12513-16/P15013-16/SP113-16/SP213-16/SP315013-15/SM13-16

CARTONS - CAISSES MOTOS

	YC110-CARTON-CP	BIKE BOX CLASSIC 1520×380×840mm	CARTON EMBALLAGE MOTO CLASSIC	1	CP12/FP12/P1251516/P1501516/SM1501516/SP113-16/SP213-16/SP313-16
	YC110-FOAMBOX	Foam box 420×340×160mm	Cale PS	1	ALL BKIES2014-16
	YC110-FILM	Protective film for seat 600×600×0.02mm	Protection plastique pour Selle	1	ALL BKIES2014-16

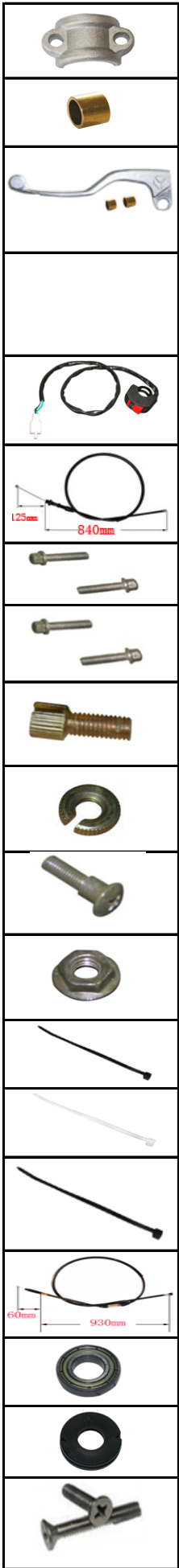
CATALOGUES - FICHES MOTOS - FICHES STICKER

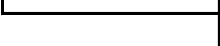
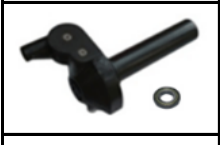
	YC110-0700-01	Accessory tools	Trousse a outils	1	ALL BIKES
	YC110-0700-0201	Owner manual 2015	Manuel Utilisation 2015	1	ALL BIKES2013-16
	YC110-0700-0401	Vin Plate 2015	Plaque Vin 2015	1	ALL BIKES2013-16

	YC110-0700-03	A4 sheet assy	Fiche A4	1	ALL BIKES
--	---------------	---------------	----------	---	-----------

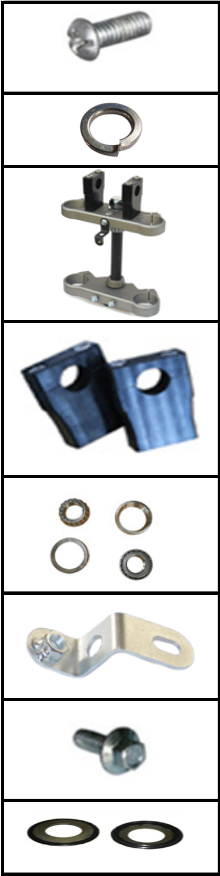
2016



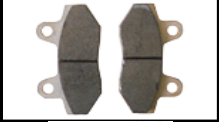
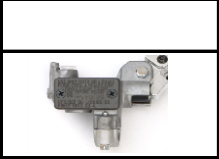
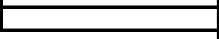




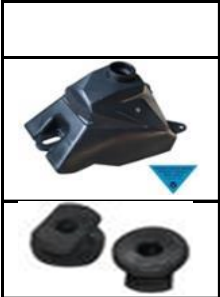


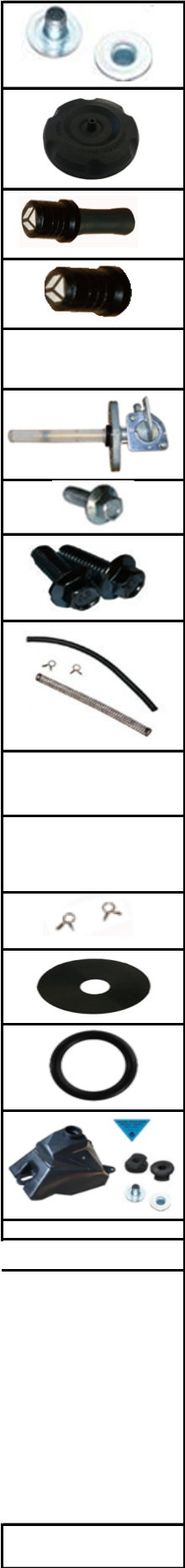


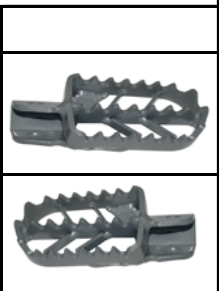
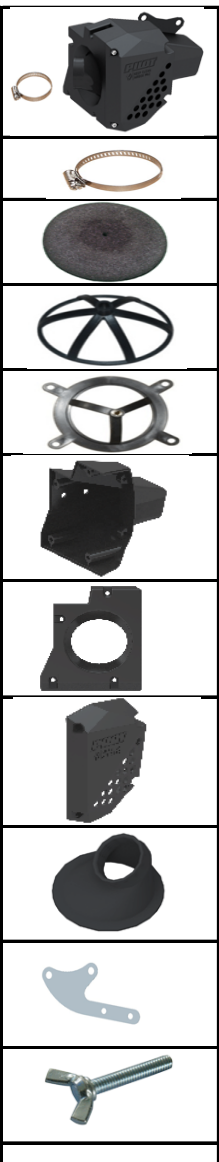










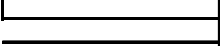






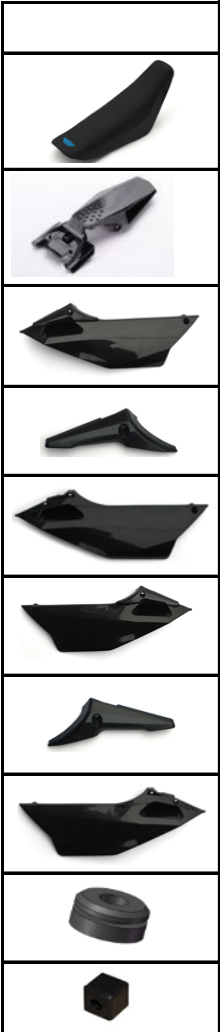
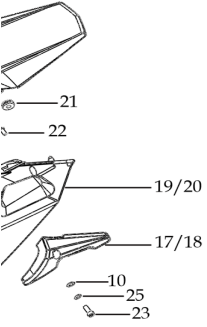
























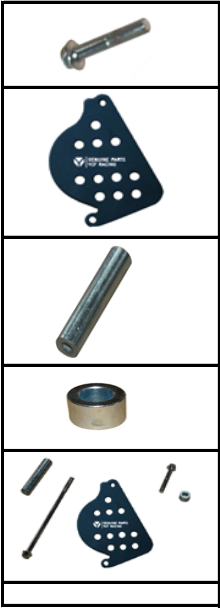














DRIVE CHAIN - CHAÎNE

KEEP CHAIN ADJUSTED AND LUBRICATED. USE A FREEMAN. SEE CHAPTER 5.
 MAINTAIN PROPER TENSION. MAINTAIN LA CHAÎNE AJUSTÉE ET
 LUBRIFIÉE. SE A UN FREEMAN. VOIR LES INSTRUCTIONS D'UTILISATION
 À TOUTES LES REMPLISSURES D'HUILE.

YCF-FRANCE
 (GENÈVE) PARTS

TIRE INFORMATION - PNEUS

READ THE PRESSURE FRONT (200kPa / 29 PSI - REAR 200kPa / 29 PSI)
 REARWARD WEIGHT CAPACITY (200kg / 440 LB)
 TIRE SIZE FRONT 80/100-14 REAR 80/100-15
 PRESSION PNEUS À L'AVANT 200kPa / 29 PSI - À L'ARRIÈRE 200kPa / 29 PSI
 PNEUS À L'AVANT 80/100-14 À L'ARRIÈRE 80/100-15

WARNING - IMPORTANT

BEFORE OPERATING THIS VEHICLE, YOU MUST
 CHECK THE ENGINE OIL LEVEL.
 AVANT DE DÉMARRER LE VÉHICULE, VÉRIFIER LE
 NIVEAU D'HUILE MOTEUR.

WARNING - AVERTISSEMENT

ATTENTION: L'OPÉRATEUR DE CE VÉHICULE DOIT LIRE ET COMPRENDRE
 LES INSTRUCTIONS D'UTILISATION ET LES AVERTISSEMENTS. LIRE ET
 COMPRENDRE LES INSTRUCTIONS D'UTILISATION ET LES AVERTISSEMENTS
 EN FRANÇAIS ET EN ANGLAIS. LIRE ET COMPRENDRE LES INSTRUCTIONS
 D'UTILISATION ET LES AVERTISSEMENTS EN FRANÇAIS ET EN ANGLAIS.
 ATTENTION: THE OPERATOR OF THIS VEHICLE MUST READ AND UNDERSTAND
 THE INSTRUCTIONS FOR USE AND THE WARNINGS. READ AND UNDERSTAND
 THE INSTRUCTIONS FOR USE AND THE WARNINGS IN FRENCH AND ENGLISH.
 ATTENTION: L'OPÉRATEUR DE CE VÉHICULE DOIT LIRE ET COMPRENDRE
 LES INSTRUCTIONS D'UTILISATION ET LES AVERTISSEMENTS EN FRANÇAIS
 ET EN ANGLAIS.

YCF



**NE PAS OUBLIER DE FAIRE LES RÉSERVES
 D'USAGES AUPRÈS DU TRANSPORTEUR À
 RÉCEPTION DES COLIS SUR LE BON DE
 LIVRAISON.**

**PLEASE CHECK THE CONDITION OF CRATE
 AT RECEIPT OF GOODS.
 ANY DAMAGE SHOULD BE NOTED ON THE
 CONNOTE WITH THE FREIGHT CARRIER.**

WARNING - AVERTISSEMENT

WARNING:
 THE SHOCK ABSORBER IS NOT LOCKED.
ATTENTION:
 LA VIS DE LA MORTIÈRE N'EST PAS SERRÉE.

